

# NUCLEUS NANO II POWER HANDLE TILTA [WLC-T05-PH]

## 01 [DISCLAIMER]

Thank you for purchasing a TILTA product.

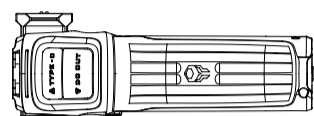
Before using this product, please carefully read this document to ensure that the product has been set up correctly. The final interpretation of this document and all related documents for this product belongs to TILTA. For updates, please visit the official website at [www.tilta.com](http://www.tilta.com) for the latest product information. TILTA reserves the right to modify any information in this manual at any time without prior notice and without assuming any responsibility.

By using this product, you are deemed to have carefully read the disclaimer and warnings, understood, agreed, and accepted all the terms and content of this statement. You promise to take full responsibility for the use of this product and any consequences that may arise. You commit to using this product only for legitimate purposes and agree to this term as well as any related regulations, policies, and guidelines set by TILTA.

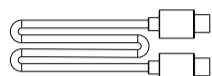
TILTA is not responsible for any damages, injuries, or legal liabilities caused directly or indirectly by the use of this product. Users should follow all safety guidelines mentioned in this document, including but not limited to those mentioned. Despite the above provisions, consumer rights are still protected by local laws and regulations and are not affected by this disclaimer.

TILTA is a trademark of Shenzhen TILTA Technology Co., Ltd. and its affiliated companies. Product names, brands, and other trademarks appearing in this document are trademarks or registered trademarks of their respective companies.

## 02 [PACKING LIST]



Nucleus Nano II Power Handle ×1



PD Power Cable ×1



Multi-Functional Allen Key ×1



User Guide ×1

## 03 [INTRODUCING NUCLEUS NANO II POWER HANDLE] (Battery Not Included)

1/4"-20 Thread with Locating Points

Cold Shoe Receiver

Power Indicator Light

01. Light stays on when in use and displays the current battery level.
02. Light flashes during charging and displays the current battery level.
03. Light stays off when not in use.
04. Press the power button to display the current power level. Light turns off after 30 seconds.

USB-C Port

01. Supports PD protocol.
02. The USB-C port supports 20W input/output when only one is in use.
03. Both USB-C ports can output 5V when used at the same time.

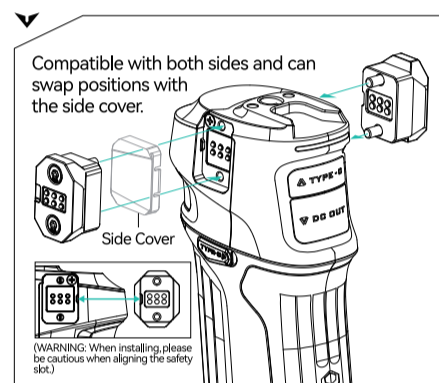
DC Out Port

Outputs 6V-8.4V (For connecting a dummy battery or powercable.)

Power Button

NATO Module

For mounting accessories with electronic contact pins. Compatible with the Nucleus Nano II hand wheel. Compatible with both sides of the handle and can swap positions. See the instructions in the picture below.



Strap Holder

Side Cover

Can swap positions with the NATO module.

USB-C Port

01. Supports PD protocol.
02. The USB-C port supports 20W input/output when only one is in use.
03. Both USB-C ports can output 5V when used at the same time.

Battery Cover

Uses one NP-F550 battery. (Battery Not Included.)

## 04 [PRODUCT SPECIFICATIONS] (Support Multiple Power Outputs)

● Dimensions: 73x49x138mm

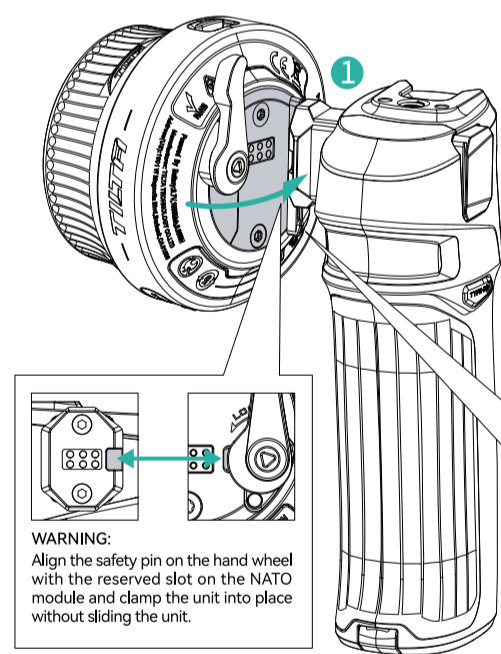
● Weight: 192g

● Materials: Aluminum Alloy + Silicone

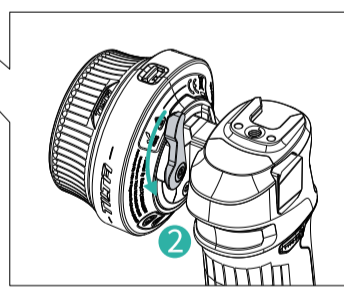
● Color: Black

## 05 [POWER SUPPLY]

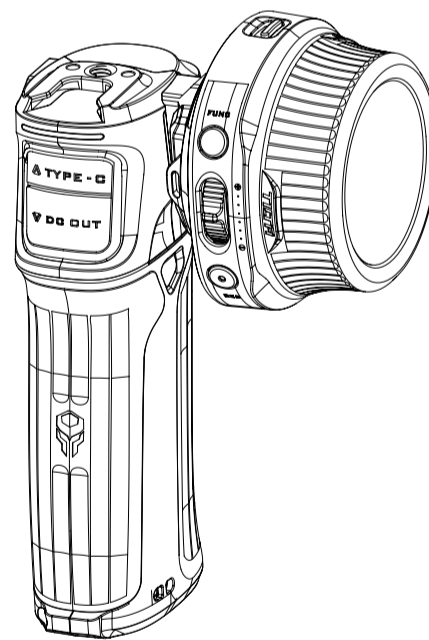
(I) Power the Nucleus Nano II Hand Wheel via the contact pins on the power handle.



Power the Nucleus Nano II hand wheel by mounting the hand wheel to the NATO module on either side of the power handle.

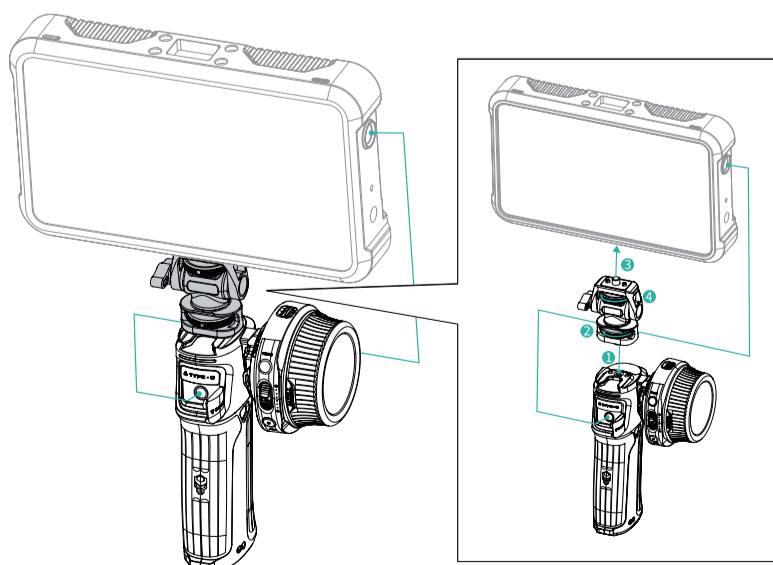


WARNING:  
Align the safety pin on the hand wheel with the reserved slot on the NATO module and clamp the unit into place without sliding the unit.

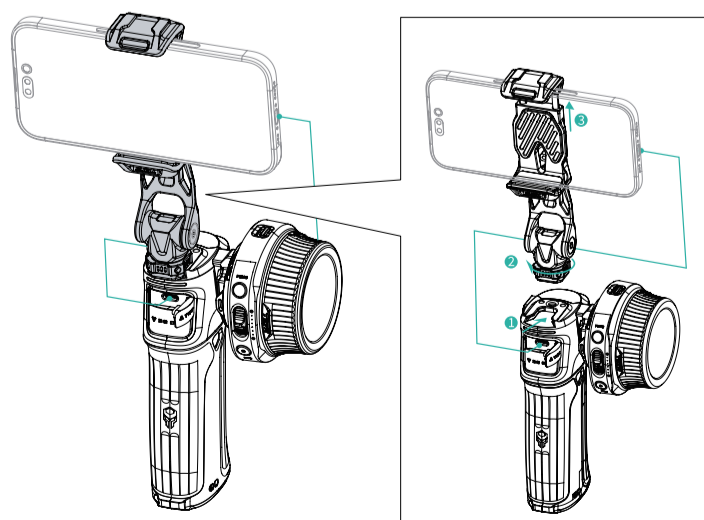


(II) The power handle has a DC 8V port and can be used with a dummy battery or a power cable. The two USB-C ports support PD protocols, and can provide power for smartphones and Nucleus Nano II motors. It can also charge the NP-F battery.

(III) Use with a Tilta Rotatable Phone Mounting Bracket (TA-PMB2) or Tilting Adjustable Cold Shoe Accessory Mounting Bracket (TA-AMB) and a smartphone or an on-board monitor to assemble a follow focus monitoring system. See below:



Mount the Tilta Accessory Mounting Bracket (1/4"-20 with Locating Pins) (TA-AMB3-B) and an on-board monitor onto the power handle. Connect the DC port on the power handle and the monitor to a DC power cable. The power handle can provide power for multiple outputs simultaneously.



Mount the Tilta Rotatable Phone Mounting Bracket (TA-PMB2-B) and smartphone onto the power handle. Connect the USB-C port on the power handle and to the smartphone with a PD power cable. The power handle can provide power for multiple outputs simultaneously.

# NUCLEUS NANO II POWER HANDLE TILTA [原力N II 供电手柄]

## 01 [免责声明]

感谢您购买TILTA产品。

使用本产品之前,请仔细阅读本文以确保已对产品进行正确的设置。本文档及本产品所有相关的文档最终解释权归TILTA所有。如有更新,请访问www.tilta.com官方网站获取最新的产品信息。TILTA保留随时修改本手册中任何信息的权利,无需提前通知且不承担任何责任。

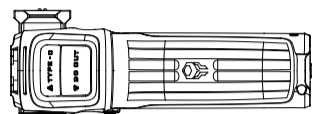
一旦使用本产品,即视为您已经仔细阅读免责声明与警告,理解、认可和接受本声明全部条款和内容。您承诺对使用本产品以及可能带来的后果负全部责任。您承诺仅出于正当目的使用本产品,并且同意本条款以及TILTA制定的任何相关条例、政策和指引。

TILTA对于直接或间接使用本产品而造成的损坏、伤害以及任何法律责任不予负责。用户应遵循包括但不限于本文提及的所有安全指引。

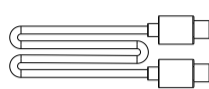
即使存在上述规定,消费者权益依然受当地法律法规所保障,并不受本免责声明影响。

TILTA是深圳市铁头科技有限公司及其关联公司的商标。本文出现的产品名称、品牌等均为其所属公司的商标或注册商标。

## 02 [物品清单]



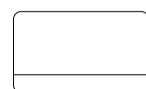
原力N II 供电手柄 ×1



PD供电线 ×1



双头型L扳手 ×1



用户手册指引卡 ×1

## 03 [认识原力N II 供电手柄] (不含电池)

1/4定位螺纹孔

冷靴接口

电量指示灯

指示目前的状态和电量

01. 放电过程中常亮,并显示当前电量;
02. 充电过程中闪亮,并显示当前电量;
03. 未使用过程中不亮;
04. 当按下开关后,显示当前电量,持续30s后熄灭

Type-C接口

01. 支持PD协议
02. 单C接口支持双向输入/输出20W;
03. 双C接口同时输出5V

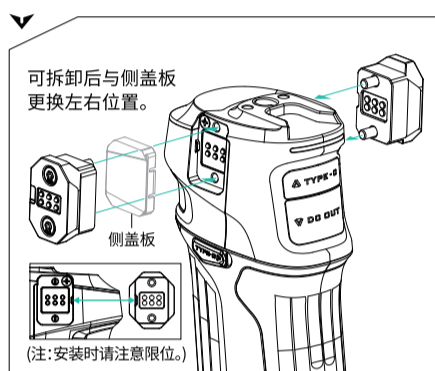
DC Out接口

DC接口输出6V-8.4V  
(可用于连接假电池/供电线等配件)

开/关机键

NATO模块

用于拓展外接设备。带电子触点,可与原力N II 控制手轮连接。亦可拆卸更换左右位置,如下图。



挂绳接口

侧盖板

可与NATO模块更换位置

Type-C接口

01. 支持PD协议
02. 单C接口支持双向输入/输出20W;
03. 双C接口同时输出5V

电池盖

NP-F550电池供电  
(本产品不含电池)

## 04 [产品参数]

● 尺寸:73x49x138mm

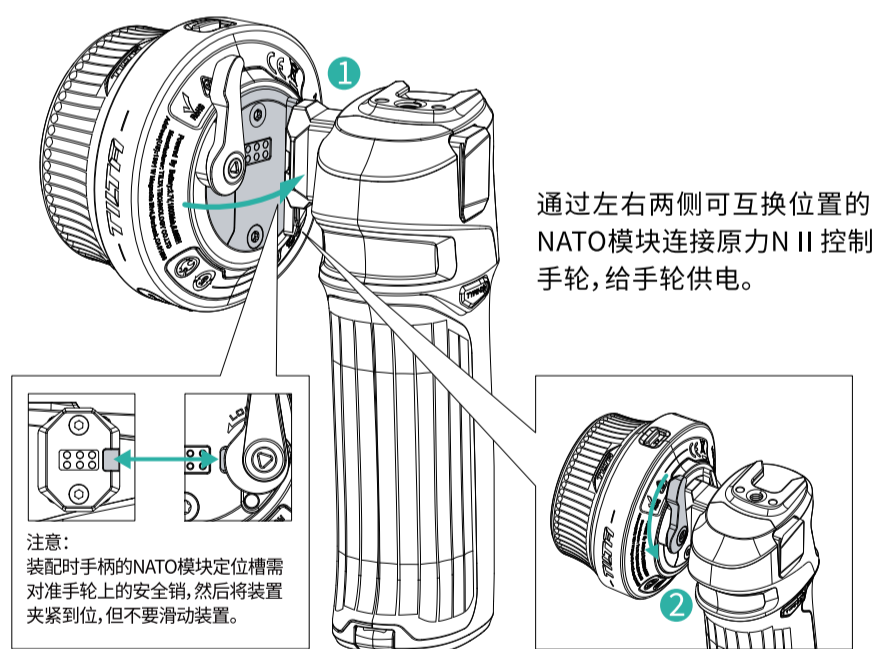
● 重量:192g

● 材质:铝合金+塑胶

● 颜色:黑色

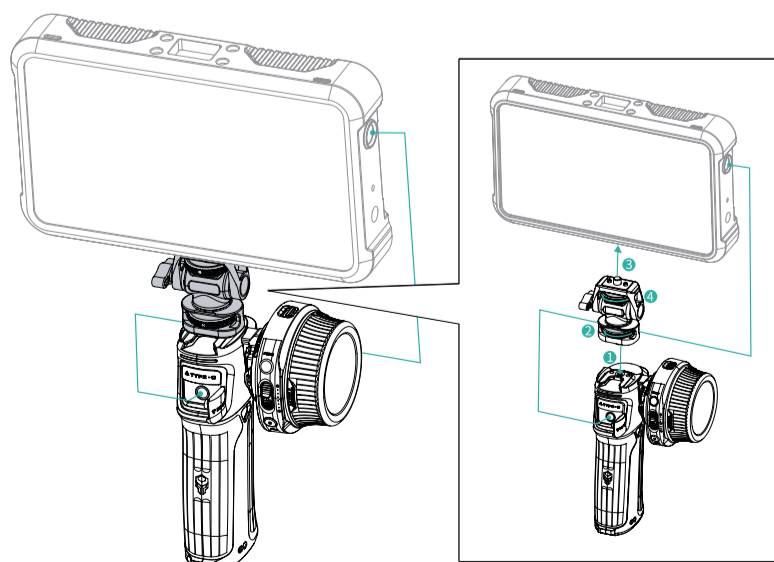
## 05 [供电介绍] (可多路输出供电)

(一) 供电手柄可通过触点为原力N II 控制手轮供电

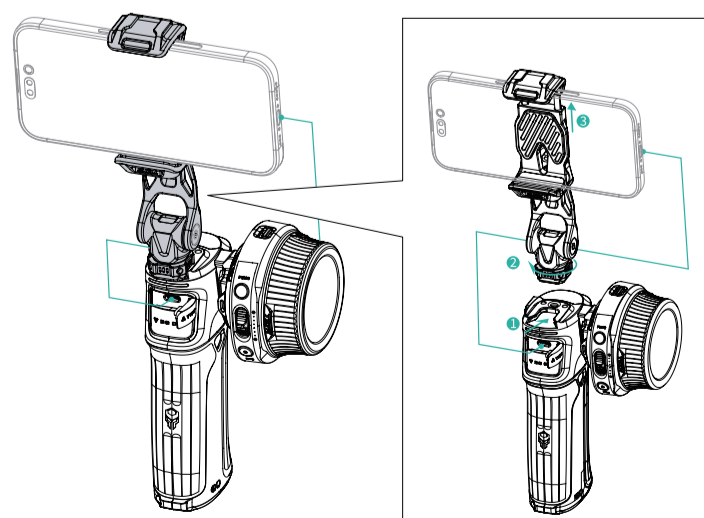


(二) 供电手柄带有一个DC 8V接口,可连接假电池/供电线等配件;还有两个Type-C接口,都带有PD协议,可给手机/原力N II 电机等设备供电,同时可为内部的NP-F电池充电。

(三) 通过旋转手机支架(TA-PMB2)或监视器云台支架(TA-AMB)系列产品装配手机或监视器在供电手柄和手轮上,组合成完整的监看跟焦方案,如下:



搭配TILTA 监视器云台支架-1/4定位螺丝款(TA-AMB3-B)装配监视器在供电手柄上,连接DC供电线于两端DC接口,监看的同时手柄可多路输出供电。



搭配TILTA 旋转手机支架(TA-PMB2-B)装配手机在供电手柄上,连接PD供电线于两端Type-C接口,监看的同时手柄可多路输出供电。