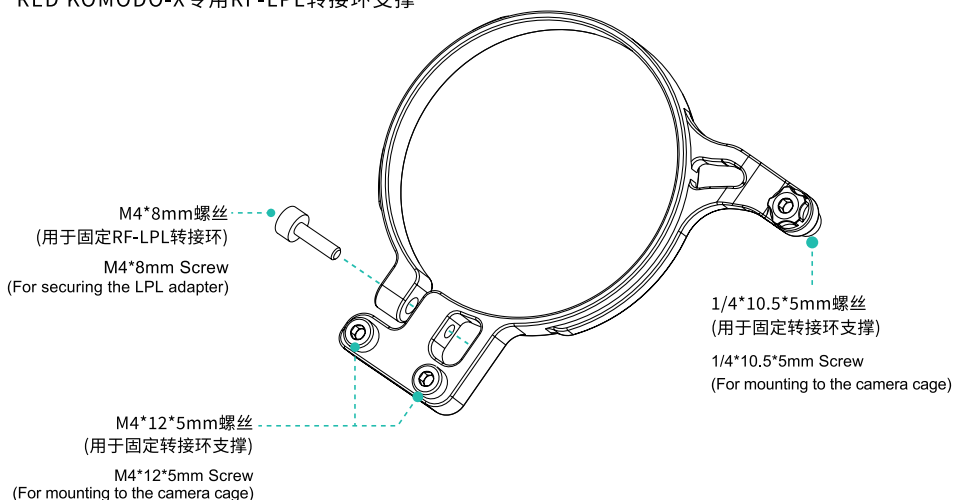


TILTA

LPL MOUNT ADAPTER SUPPORT FOR RED KOMODO-X

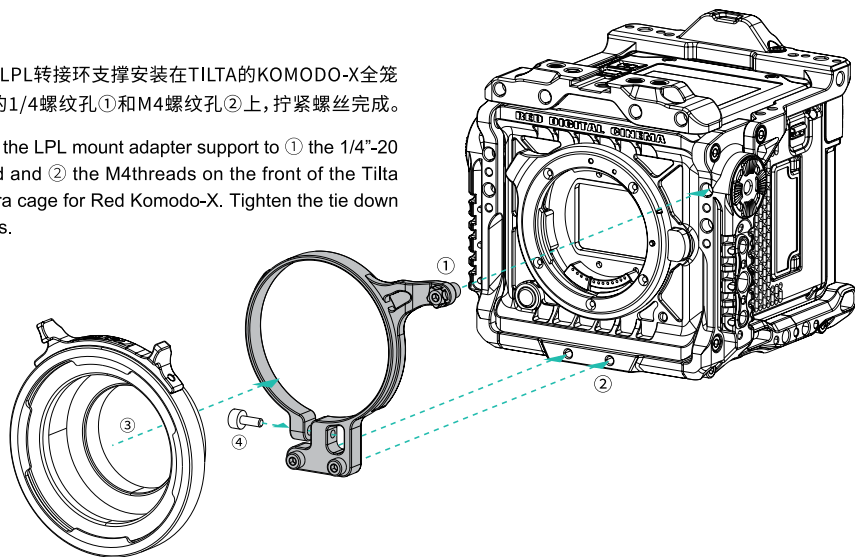
RED KOMODO-X专用RF-LPL转接环支撑



装配RED KOMODO-X专用RF-LPL转接环支撑/ASSEMBLING THE LPL MOUNT ADAPTER SUPPORT FOR RED KOMODO-X

将RF-LPL转接环支撑安装在TILTA的KOMODO-X全笼正面的1/4螺孔①和M4螺孔②上，拧紧螺丝完成。

Install the LPL mount adapter support to ① the 1/4"-20 thread and ② the M4 threads on the front of the Tilta camera cage for Red Komodo-X. Tighten the tie down screws.



TA-RF-LPL (选配/Optional)

通过RF-LPL转接环支撑，将RF-LPL转接环③(TA-RF-LPL)在拓展在KOMODO-X全笼上，如图③④。

After installing the LPL mount adapter support, mount ③ the Tilting Canon RF Mount to ARRI LPL Mount Adapter (TA-RF-LPL) to the camera. See ③④.