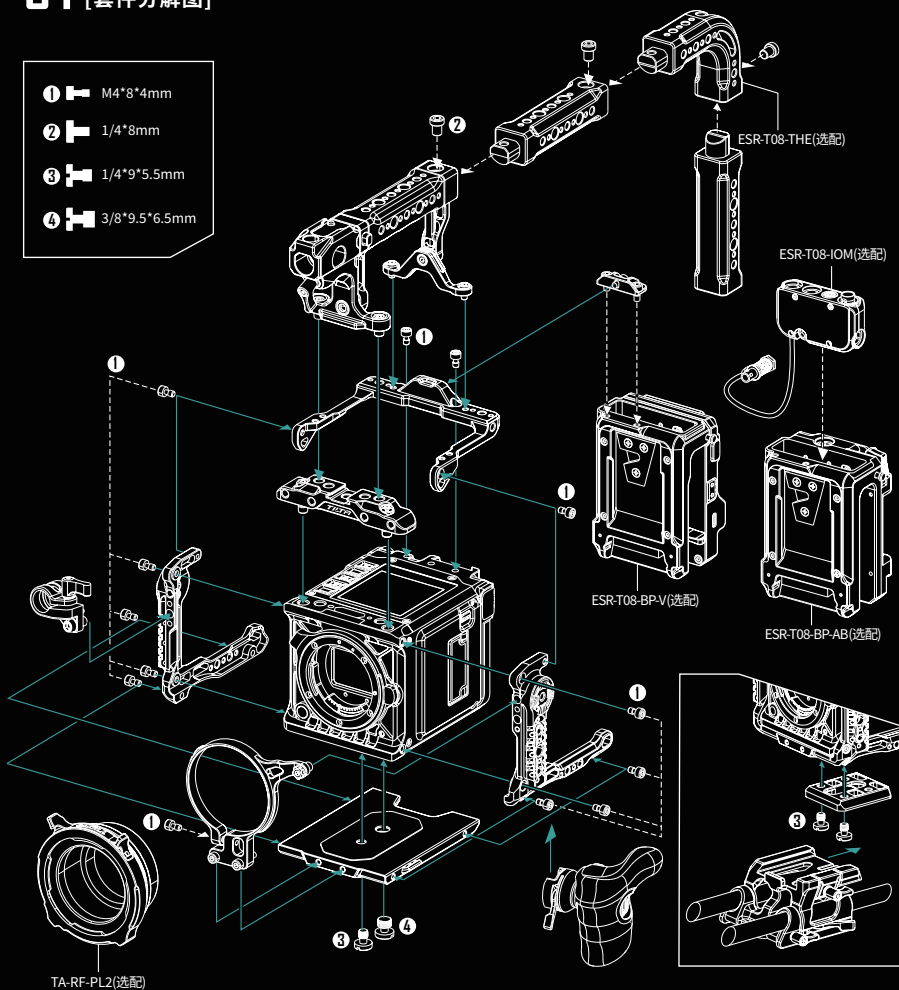


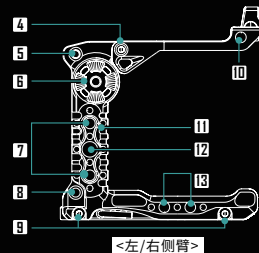
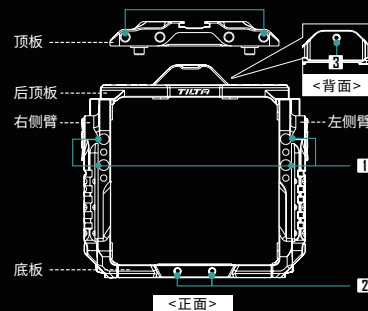
FOR RED KOMODO-X **TILTA** [RED KOMODO-X 拓展套件]

01 [套件分解图]

- ① M4*8*4mm
- ② 1/4*8mm
- ③ 1/4*9*5.5mm
- ④ 3/8*9.5*6.5mm



02 [功能介绍]



① 1/4定位螺纹孔 [可安装侧臂单孔导轨卡件(TA-SRA-15-B)]

② M4螺纹孔 [可安装镜头转接环支撑]

③ M4螺纹孔 [可安装供电模块连接器]

④ M4螺纹孔 [连接后顶板]

⑤ M4机身固定孔

⑥ 牙盘接口

⑦ 1/4定位螺纹孔

⑧ M4机身固定孔

⑨ M4螺纹孔 [连接底板]

⑩ 1/4螺纹孔

⑪ NATO滑条

⑫ 3/8定位螺纹孔

⑬ 1/4定位螺纹孔

⑭ M4机身固定孔

⑮ 1/4定位螺纹孔

⑯ M4螺纹孔 [可安装可折叠上手握(TA-T53-FTH-B)]

⑰ M4螺纹孔 [可安装Komodo迷你遮光罩(TA-T08-MSH)]

⑱ 1/4机身固定孔

⑲ 冷靴接口

⑳ 1/4螺纹孔

㉑ 一字螺丝扳手 [可磁吸于底部的拆卸工具, 同时可用硬币替换使用]

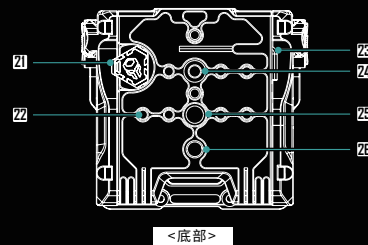
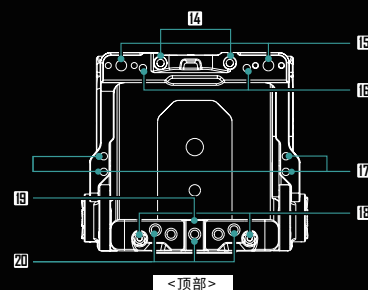
㉒ 1/4螺纹孔

㉓ L型六角扳手 [可磁吸于底部的拆卸工具]

㉔ 1/4机身固定孔

㉕ 3/8机身固定孔

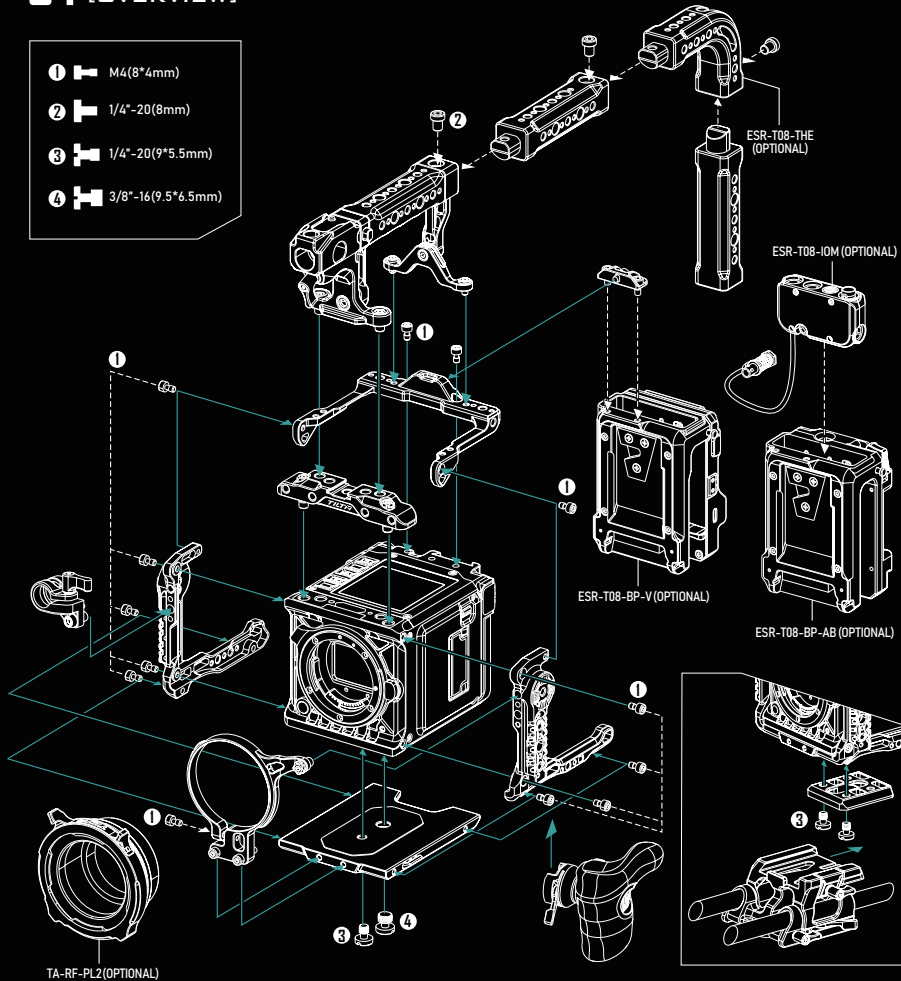
㉖ 3/8螺纹孔



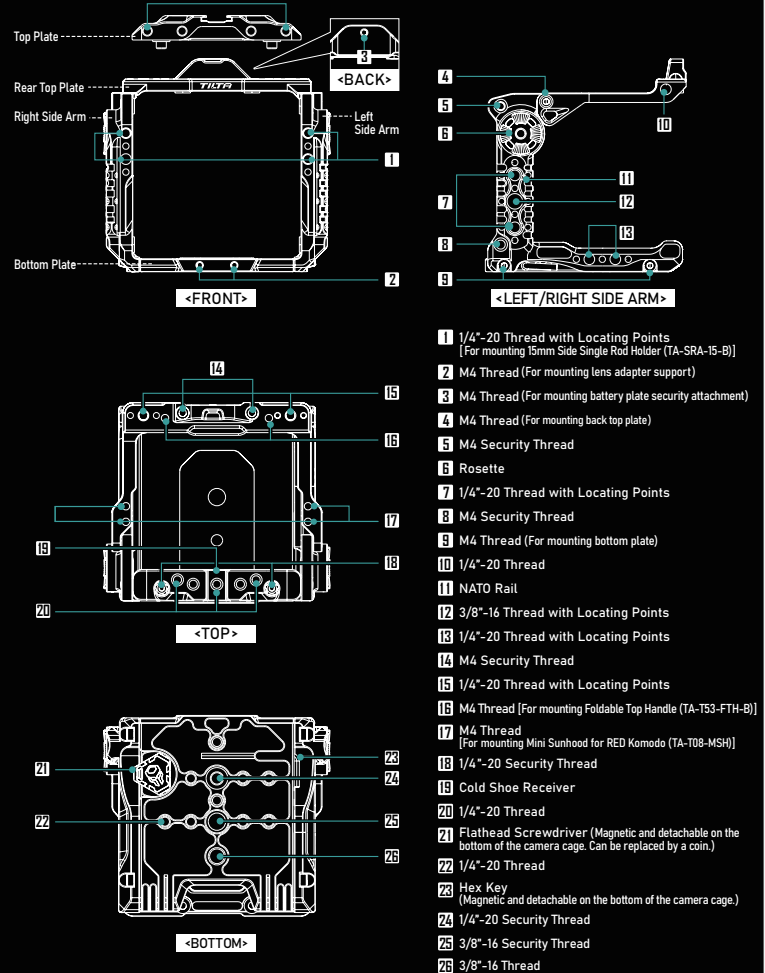
FOR RED KOMODO-X **TILTA** [CAMERA CAGE FOR RED KOMODO-X]

01 [OVERVIEW]

- ❶ M4(8*4mm)
- ❷ 1/4"-20(8mm)
- ❸ 1/4"-20(9*5.5mm)
- ❹ 3/8"-16(9.5*6.5mm)



02 [FUNCTIONS]



- ❶ 1/4"-20 Thread with Locating Points
[For mounting 15mm Side Single Rod Holder (TA-SRA-15-B)]
- ❷ M4 Thread (For mounting lens adapter support)
- ❸ M4 Thread (For mounting battery plate security attachment)
- ❹ M4 Thread (For mounting back top plate)
- ❺ M4 Security Thread
- ❻ Rosette
- ❼ 1/4"-20 Thread with Locating Points
- ❽ M4 Security Thread
- ❾ M4 Thread (For mounting bottom plate)
- ❿ 1/4"-20 Thread
- ⓫ NATO Rail
- ⓬ 3/8"-16 Thread with Locating Points
- ⓭ 1/4"-20 Thread with Locating Points
- ⓮ M4 Security Thread
- ⓯ 1/4"-20 Thread with Locating Points
- ⓰ M4 Thread [For mounting Foldable Top Handle (TA-T53-FTH-B)]
- ⓱ M4 Thread [For mounting Mini Sunhood for RED Komodo (TA-T08-MSH)]
- ⓲ 1/4"-20 Security Thread
- ⓳ Cold Shoe Receiver
- ⓴ 1/4"-20 Thread
- ⓵ Flathead Screwdriver (Magnetic and detachable on the bottom of the camera cage. Can be replaced by a coin.)
- ⓶ 1/4"-20 Thread
- ⓷ Hex Key (Magnetic and detachable on the bottom of the camera cage.)
- ⓸ 1/4"-20 Security Thread
- ⓹ 3/8"-16 Security Thread
- ⓺ 3/8"-16 Thread