

LEFT <<< PD供电录制手柄 >>> **TILTA**
SIDE PD HANDLE

TILTA LEFT SIDE PD HANDLE WITH RUN/STOP TYPE VIII

感谢您购买TILTA产品。

使用本产品之前,请仔细阅读本文以确保已对产品进行正确的设置。本文档及本产品所有相关的文档最终解释权归TILTA所有。如有更新恕不另行通知。请访问www.tilta.com官方网站以获取最新的产品信息。

一旦使用本产品,即视为您已经仔细阅读免责声明与警告,理解、认可和接受本声明全部条款和内容。您承诺对使用本产品以及可能带来的后果负全部责任。您承诺仅出于正当目的使用本产品,并且同意本条款以及TILTA制定的任何相关条例、政策和指引。

TILTA对于直接或间接使用本产品而造成的损坏、伤害以及任何法律责任不予负责。用户应遵循包括但不限于本文提及的所有安全指引。

即使存在上述规定,消费者权益依然受当地法律法规所保障,并不受本免责声明影响。

TILTA是深圳市铁头科技有限公司及其关联公司的商标。本文出现的产品名称、品牌等均为其所属公司的商标或注册商标。

当使用产品时，因操作不当有可能发生发热、自燃、爆炸等。或者有可能导致性能下降，发生故障，因此请遵守下列的禁止和注意事项。

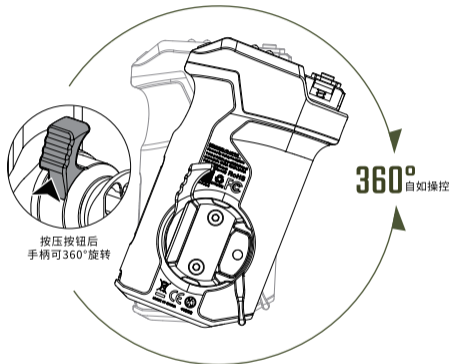
- 本商品为数码相机，笔记本和手机充电，适用多种应用场景，如需用于其他设备，请向本公司咨询。
- 请不要试图使其短路。
- 请不要和金属类的东西一起搬运或者保管。
- 关于带电池上飞机请不要让电池沾到导电液体等。请不要将电池投入到水中、火中或者加热。
- 请不要将电池放置在车内或者烈日下等高温场所，不要在超过使用温度范围（查看“电池使用须知”了解）的环境下进行充电、放电和保管。
- 请不要对电池进行分解或者改造。
- 请不要抛落或者用锤敲击，以免对电池造成强烈地冲击。另外，在损伤明显的情况下，请停止使用电池。
- 请不要在易腐蚀的环境（盐、海水、酸、碱、腐蚀气体等）下使用电池。
- 请不要在极度高温环境中使用和保管电池。

注意事项

- (1) 电池在规定的充电时间内无法完成充电时，请马上停止充电。
 - (2) 充电或者放电时，电池出现异味，异常发热或变色、变形等与正常状态不同的症状时，请马上停止充电。
 - (3) 电池发生漏液和出现异味时，请使电池远离火源。
 - (4) 购买后第一次使用前，切记充满电后再使用。
 - (5) 不使用时间达 2 天以上时，电池会自动关闭输出。再次使用前，需要按压开机键后才可再次使用或者充电。
 - (6) 长期保管时，请定期充电（大约每 2 个月一次），使电池的电量保持在绿灯亮灯状态。
- 本产品出厂前已经严格检查，如遇问题，请与本公司售后服务联系。严禁自行拆卸。

03

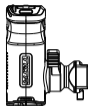
认识PD供电录制手柄(一)



规格参数

- 材质: 铝合金
- 尺寸: 117*93*71mm
- 重量: 502.5g
- 颜色: 黑色

基础清单



PD供电录制手柄

X1



手柄左手腕带

X1

双头Type-C公头供电线
(60W)

X1

电池使用须知



电池容量
14.4V 50Wh 3500mAh

- (1) 工作温度: 充电: 0°C~45°C; 放电: -20°C~60°C
- (2) 存储温度: -20°C~45°C
- (3) 运行湿度: 90-95%(Max.)
- (4) 存储相对湿度: ≤ 70%RH
- (5) 质保期: 12个月且循环次数少于200次

产品特点



PD快充

(若相机支持PD协议, 即可通过“标配”双头Type-C线供电; 也可通过“选配”假电池线供电。)

- [选配]假电池供电线: USBC PD 转 LP-E6假电池电源线 (带降压弹簧线) DB-LPE6-USBC
USBC PD 转 NP-FZ100假电池电源线 (带降压弹簧线) DB-SYFZ-USBC
USBC PD 转 DMW-BLF19 GH5假电池电源线 (带降压弹簧线) DB-GH-USBC



万向调节

(按压旋钮, 快捷调整角度)



舒适手感

(虎口承托, 贴合手掌)



冷靴接口

(拓展带冷靴接口的配件)



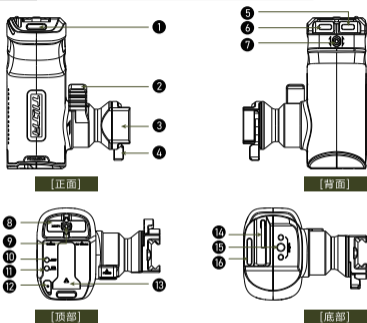
1/4定位孔

(拓展带1/4定位孔的配件)



相机录制

(手柄带录制功能, 配合相应的录制线后进行相机录制)



- 1 开关机/录制按键 (开/关机: 长按2秒) (录制: 开机状态下单击按键)
 2 按钮 (按压调节手柄角度)
 3 NATO接口组件 (可选配其他接口)
 4 锁紧扳手
 5 Type-C
 6 Type-C PD
 7 M3螺丝 (Type-C线夹高度调节螺丝)
 8 Type-C 线夹
 9 M3螺丝 (Type-C线紧固螺丝)
 10 Type-C 通信状态指示灯
 11 Type-C PD 电池电量/充电状态指示灯
 12 腕带接口
 13 冷靴接口
 14 磁吸六角扳手 (磁吸于手柄底部, 用于调节M3螺丝)
 15 1/4定位孔
 16 腕带接口

Type-C使用须知 [Type-C接口禁止短路输出]



TYPE-C PD

支持PD3.0兼容PD2.0输入输出快充协议



TYPE-C

铁头系列产品专用



TYPE-C电压输出范围

12.0V~16.8V (Max 1.5A)

Type-C接口支持铁头录制线

佳能 R5 和 R5C, BMPPCC 4K/6K/6K PRO 支持 C 口直录, 不需要额外购买录制线。

RS-TA3-AM3	专业版侧手柄—ARRI 录制线	RS-TA3-AM7	专业版侧手柄—ARRI MINI 录制线
RS-TA3-SY	专业版侧手柄—F55 录制线	RS-TA3-KF	专业版侧手柄—国造录制线
RS-TA3-LANC	专业版侧手柄—BMD/SY 录制线	RS-TA3-GHS	专业版侧手柄—松下 GH5/S1H 单反系列录制线
RS-TA3-RD3	专业版侧手柄—SYNC 录制线(短路型)	RS-TA3-RD1	专业版侧手柄—SYNC 录制线(高低电平)
RS-TA3-SYA	专业版侧手柄—A6/A7/A9/A7S3 录制线	RS-TA3-RD2	专业版侧手柄—RED-CTRL 录制线
RS-TA3-FJX	专业版侧手柄—XT3/XT4 录制线	RS-TA3-RD4	专业版侧手柄—KOMODO 机器录制线
RS-TA3-CND	专业版侧手柄—5D/5D3/7D 录制线	RS-TA3-CNC	专业版侧手柄—C200/C300 Mark II 录制线
RS-TA3-USBC	Type-C 接口录制线		

指示灯灯语

Type-C PD 电池电量/充电状态指示灯

(1) 放电指示灯

- 红灯闪烁:
- 红灯常亮:
- 绿灯常亮:
- 蓝灯常亮:

(2) 充电指示灯 (60W PD 快充插头充电时长约 2 小时)

- 蓝灯闪烁: 充电中
- 蓝灯常亮: 充满

(3) 固件升级 (如有)

TILTA 官网下载升级固件完成安装即可, 如有安装疑问, 可咨询铁头官方客服。(TILTA官网: www.tilta.com)

[安装]

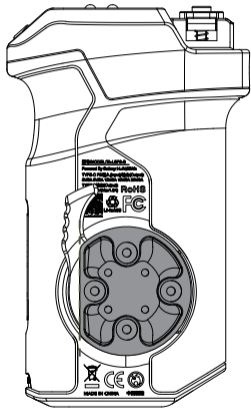
- (01) 开机, 待蓝灯●亮起后 (非充电状态) 连续五次按压 [开/关机] 按键;
- (02) 待电量指示灯呈现三色灯●闪烁状态, 进入固件升级模式;
- (03) 通过Type-A转C数据线连接手柄Type-C PD接口与电脑, 将升级固件复制到手柄程序里即可;
- (04) 三色灯●停止闪烁后升级完成, 蓝灯●闪烁。



Type-C通信状态指示灯

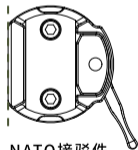
(检测到TILTA线材插入, 指示灯亮起)

- 绿灯常亮: 待机状态
- 红灯常亮: 录制状态



可根据需求选择相应的接驳件装配，联系TILTA官方客服咨询了解。

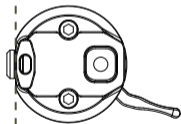
注：装配时根据接口形状安装接驳件即可。



NATO接驳件

(用于滑条上)

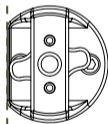
标配



DJI Ronin 4D燕尾接驳件

(可用于DJI图传高亮监视器上)

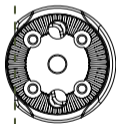
选配-A



1/4定位孔接驳件

(用于1/4定位孔上)

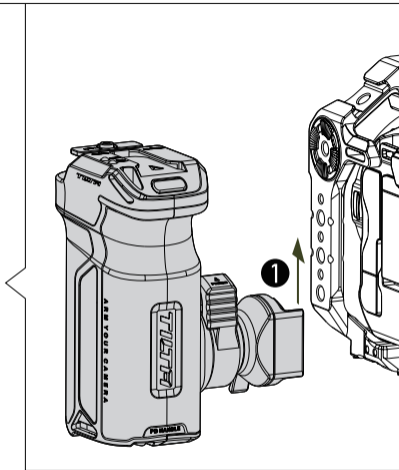
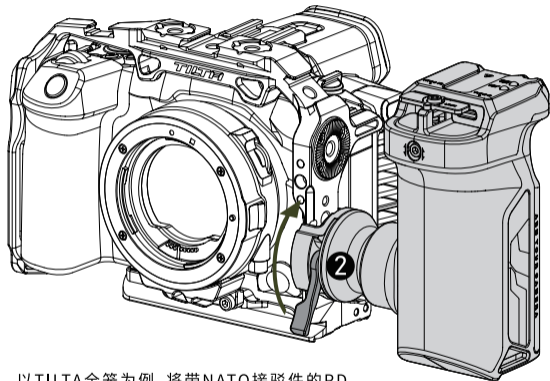
选配-B



ARRI牙盘接驳件

(用于ARRI牙盘接口上)

选配-C



以TILTA全笼为例，将带NATO接驳件的PD
供电录制手柄①滑入滑条上，拧紧手扭②完成装配。

Thank you for choosing Tilta products.

Please read this user guide carefully before using the product to ensure the correct product settings have been applied. The final interpretation right of this article and the products belong to Tilta . We reserve the right to update without prior notice. Please visit www.tilta.com for the latest product information.

Once you use this product, it is deemed that you have carefully read the disclaimer and warning, and understand, recognize and accept all terms and contents of this statement. You assume full responsibility for the use of this product and the possible consequences. You agree to use this product only for legitimate purposes and also agree to these terms and any relevant regulations, policies and guidelines formulated by Tilta.

Tilta is not responsible for damages, injuries and any legal liability arising directly or indirectly from the use of this product. Users should follow all safety guidelines including but not limited to those mentioned in this article.

Even if the above provisions exist, consumer rights are still protected by local laws and regulations and are not affected by this disclaimer.

Tilta is a registered trademark that belongs to Tilta technology Co., Ltd and its subsidiary company. All product and brand names that are mentioned in this content belong to Tilta technology Co., Ltd and its subsidiary company.

Heat generation, spontaneous combustion, explosion, etc., may occur due to improper operation while using this product. Otherwise, performance degradation and failure may occur, so please observe the following prohibitions and precautions.

- This product charges digital cameras, notebooks, and mobile phones, and is suitable for various application scenarios. Consult our company if you need to use it for other devices.
- Do not try to short-circuit the product.
- Do not transport or store it along with metallic objects.
- When carrying the battery onto a plane, do not place it near a conductive liquid. Do not throw the battery into water, fire, or heat.
- Do not place the battery in a high-temperature area, such as in a car or under the hot sun, and do not charge, discharge, or store it in an environment exceeding the operating temperature range (see "Battery Usage Instructions").
- Do not disassemble or modify the battery.
- Do not drop the battery or hit it with a hammer to avoid any substantial impact. Also, stop using the battery if the damage is evident.
- Do not use the battery in a corrosive environment (salt, seawater, acid, alkali, corrosive gas, etc.).
- Do not use and store the battery in extremely high-humidity environments.

[PRECAUTIONS]

- (1) If the battery cannot be fully charged within the specified charging time, please stop charging immediately.
- (2) When charging or discharging, please stop charging immediately if the battery has an abnormal smell, heat, discoloration, deformation, and other symptoms that are different from the normal state.
- (3) When the battery leaks or smells, please keep the battery away from fire.
- (4) Before using it for the first time after purchase, remember to fully charge it before using it.
- (5) When not used for more than two days, the battery will automatically turn off the output. Before using it again, you need to press the power button before it can be used or charged again.
- (6) For long-term storage, please charge the battery regularly (about once every two months) to keep the battery's power at the state where the green light is on.

This product has been strictly inspected before leaving the factory. If there is any problem, please get in touch with the company's after-sales service. Refrain from disassembling by yourself.



SPECIFICATIONS

- MATERIAL: Aluminum
- DIMENSIONS: 117X93X71mm
- WEIGHT: 502.5g
- COLOR: Black

PACKING LIST



Tilta Left Side PD Handle X1



Left Side Wrist Strap X1



USB-C To USB-C Cable (60W) X1

BATTERY USAGE NOTES

BATTERY CAPACITY
14.4V 50Wh 3500mAh

- (1) Working temperature : 0°C ~ 45°C for charging ; -20°C ~ 60°C for discharging
- (2) Storage temperature : -20°C ~ 45°C
- (3) Operating humidity : 90-95%(Max.)
- (4) Relative storage humidity : ≤ 70%RH
- (5) Warranty : 12months AND with less than 200 full usage cycles.

PRODUCT HIGHLIGHTS



PD Fast Charging

(If the camera supports PD protocols, the camera can be powered through the USB-C to USB-C cable. The camera can also be powered through the dummy batteries.)

Dummy Battery Cables : Canon LP-E6 Dummy Battery to USB-C PD Power Cable DB-LPE6-USBC
 (Optional) Sony NP-FZ100 Dummy Battery to USB-C PD Power Cable DB-SYFZ-USBC
 Panasonic DMW-BLF19 Dummy Battery to USB-C PD Power Cable DB-GH-USBC



Flexible Adjustment

(Press the release to adjust the angle)



Ergonomic Design

(Comfortable operation)



Cold Shoe Mount

(For mounting accessories with a cold shoe mount)



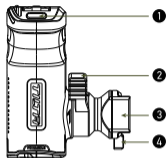
1/4"-20 Screw with Locating Points

(For mounting accessories with 1/4"-20 screw with locating pins)

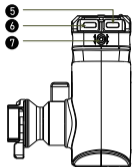


Run/Stop

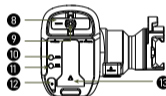
(Pair with the appropriate R/S cable to control the camera's run/stop)



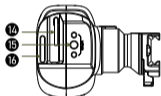
[FRONT]



[BACK]



[TOP]



[BOTTOM]

- ① Power/Rec Button (On/Off : Hold for 2s) (Rec : Single click while the camera is on.)
- ② Safety Release (Press to adjust handle's angle.)
- ③ NATO Mount Attachment (Other attachments available)
- ④ Tie Down
- ⑤ USB-C Port
- ⑥ USB-C PD Port
- ⑦ M3 Screw (For adjusting the height of the USB-C cable clamp.)
- ⑧ Cable Clamp for USB-C Cable
- ⑨ M3 Screw (For holding the USB-C cable.)
- ⑩ USB-C Signal Indicator
- ⑪ USB-C PD Battery Indicator
- ⑫ Wrist Strap Port
- ⑬ Cold Shoe Mount
- ⑭ Hex Key (For adjusting the M3 screw. Can be attached to the bottom of the handle.)
- ⑮ 1/4"-20 Screw with Locating Points
- ⑯ Wrist Strap Port

USB-C Usage Notice [Do not short circuit through the USB-C Output.]



USB-C PD

Support PD 3.0 and PD 2.0 I/O fast charging protocol.



USB-C

Tilta Series Product



USB-C OUTPUT VOLTAGE

12.0V~16.8V (Max 1.5A)

The USB-C port is compatible with Tilta R/S cables.

Canon R5/R5C and BMCC 4K /6K/6K PRO support Type-C input. No additional purchase needed.

RS-TA3-AM3	Advanced Side Handle Run/Stop Cable for 3-Pin Fischer port
RS-TA3-AM7	Advanced Side Handle Run/Stop Cable for Arri 7-Pin EXT port
RS-TA3-SY	Advanced Side Handle Run/Stop Cable for 4-Pin Hirose port
RS-TA3-KF	Advanced Side Handle Run/Stop Cable for Kinefinity Cameras
RS-TA3-LANC	Advanced Side Handle Run/Stop Cable for 2.5mm LANC Port
RS-TA3-GHS	Advanced Side Handle Run/Stop Cable for Panasonic GH/S Series
RS-TA3-RD3	Advanced Side Handle Run/Stop Cable for Red Camera SYNC Port Type II
RS-TA3-RD1	Advanced Side Handle Run/Stop Cable for Red Camera SYNC Port Type I
RS-TA3-SYA	Advanced Side Handle Run/Stop Cable for Sony a6/a7/a9 Series
RS-TA3-RD2	Advanced Side Handle Run/Stop Cable for Red Camera CTRL Port
RS-TA3-FXJ	Advanced Side Handle Run/Stop Cable for Fujifilm X Series
RS-TA3-RD4	Advanced Side Handle Run/Stop Cable for Red Komodo Camera
RS-TA3-CND	Advanced Side Handle Run/Stop Cable for Canon DSLR
RS-TA3-CNC	Advanced Side Handle Run/Stop Cable for Canon C series
RS-TA3-USBC	Advanced Side Handle Run/Stop Cable for USB-C Port

INDICATORS

USB-C PD Battery Indicators

(1) Discharging Signal

- Red light flashes :
- Red light stays on :
- Green light stays on :
- Blue light stays on :

(2) Charging Signal

[It takes approximately 2 hours to fully charge with a 60W PD fast charger.]

- Blue light flashes : charging
- Blue light stays on : fully charged

(3) Firmware Upgrade (When needed)

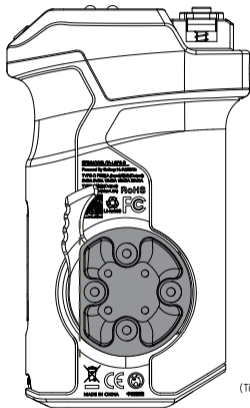
Download and upgrade the firmware from the Tilta official website and complete the installation. If you have any installation questions, please consult the official customer service of Tilta. (Tilta official website: www.tilta.com)

[INSTALLATION:]

- (01) Power on, after the blue light is on (non-charging state), press the [on/off] button five times in a row;
- (02) Wait for the battery indicator to show the flashing state of the three-color light , and enter the firmware upgrade mode;
- (03) Connect the USB-C PD interface of the handle to the computer through the USB Type-A to USB-C data cable, and copy the upgraded firmware to the handle program;
- (04) After the three-color light stops flashing, the upgrade is complete, and the blue light flashes.

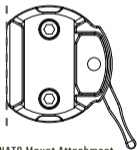
USB-C Communication Indicators (When a Tilta cable is detected, the indicator will light up.)

- Green light stays on : Standby
- Red light stays on : Record



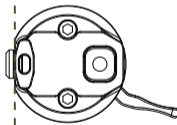
Please choose the side handle attachment according to your setup. To find the appropriate mount for your setup, please contact Tilta's customer support.

NOTE: Install the attachment according to its mounting port.



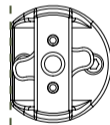
NATO Mount Attachment
(Tilta Advanced Left Side Handle Attachment Type VIII)
(For NATO rail)

STANDARD



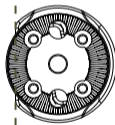
DJI Ronin 4D Attachment
(Advanced Left Side Handle Attachment Type IX)
(For DJI High-Bright Remote Monitor)

OPTION - A



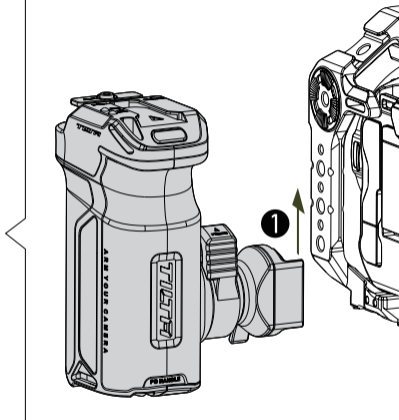
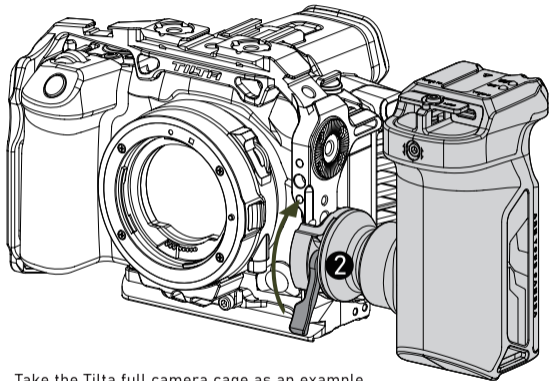
1/4"-20 Screw with Locating Pins Attachment
(Tilta Advanced Side Handle Attachment Type XI)
(For 1/4"-20 Screw with locating points)

OPTION - B



ARRI Rosette Mount Attachment
(Tilta Advanced Side Handle Attachment Type X)
(For Arri standard rosette)

OPTION - C



Take the Tilta full camera cage as an example.

Slide ① the NATO attachment for left side PD handle onto the NATO rail.

Tighten ② the tie down.

