

FOR SONY A7C II/A7C R **TILTA** [SONY A7C II/A7C R FULL CAGE]

01 [DISCLAIMER]

Thank you for purchasing a TILTA product.

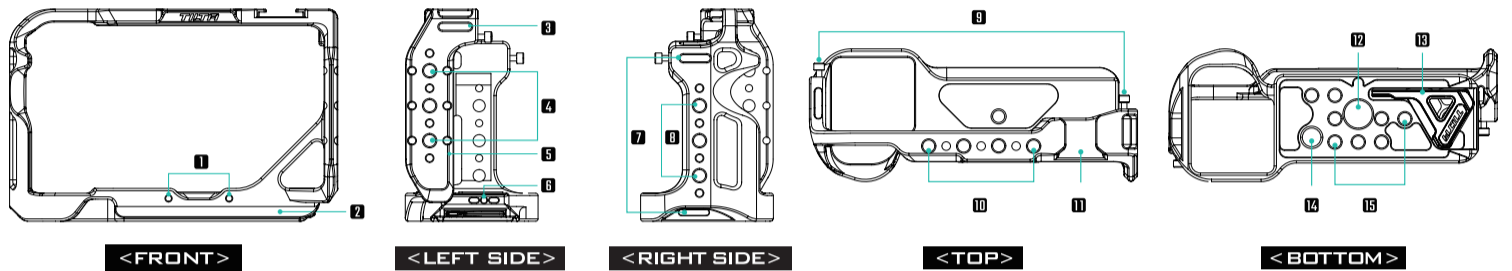
Before using this product, please carefully read this document to ensure that the product has been set up correctly. The final interpretation of this document and all related documents for this product belongs to TILTA. For updates, please visit the official website at www.tilta.com for the latest product information. TILTA reserves the right to modify any information in this manual at any time without prior notice and without assuming any responsibility.

By using this product, you are deemed to have carefully read the disclaimer and warnings, understood, agreed, and accepted all the terms and content of this statement. You promise to take full responsibility for the use of this product and any consequences that may arise. You commit to using this product only for legitimate purposes and agree to this term as well as any related regulations, policies, and guidelines set by TILTA.

TILTA is not responsible for any damages, injuries, or legal liabilities caused directly or indirectly by the use of this product. Users should follow all safety guidelines mentioned in this document, including but not limited to those mentioned. Despite the above provisions, consumer rights are still protected by local laws and regulations and are not affected by this disclaimer.

TILTA is a trademark of Shenzhen TILTA Technology Co., Ltd. and its affiliated companies. Product names, brands, and other trademarks appearing in this document are trademarks or registered trademarks of their respective companies.

02 [FULL CAGE OVERVIEW]



1 M3 Thread
(For mounting lens adapter support.)

2 ARCA Quick Release Plate

3 Shoulder Strap Receiver

4 1/4"-20 Thread with Locating Points

5 NATO Rail

6 M3 Thread
(For mounting cable clamp.)

7 Wrist Strap Receiver

8 1/4"-20 Thread with Locating Points

9 Security Attachment Screw / M2.5 Thread (Back)

10 1/4"-20 Thread with Locating Points

11 Cold Shoe Receiver
(For mounting onboard microphones, LED lights, and wireless video transmitters.)

12 Camera Mounting Screw (Bottom)

13 Multi-functional Screwdriver

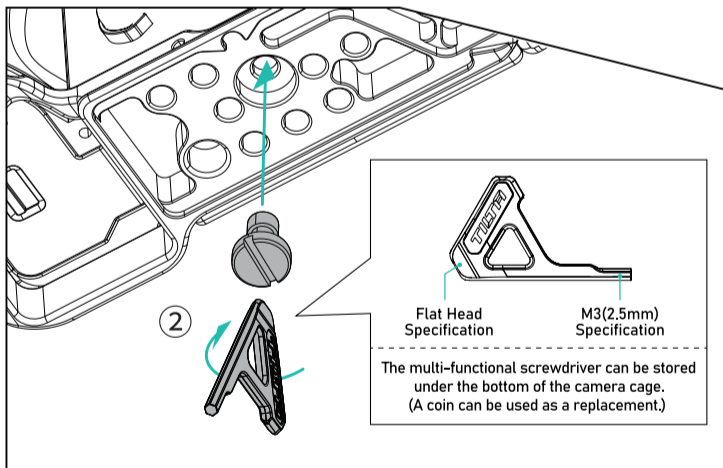
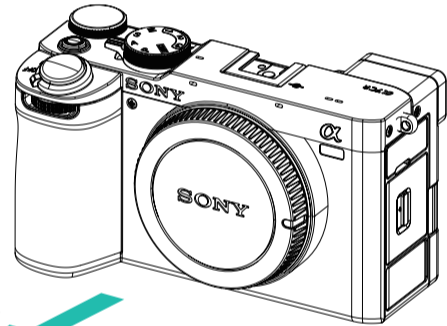
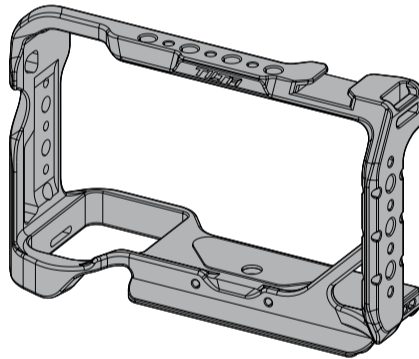
14 3/8"-16 Thread

15 1/4"-20 Thread

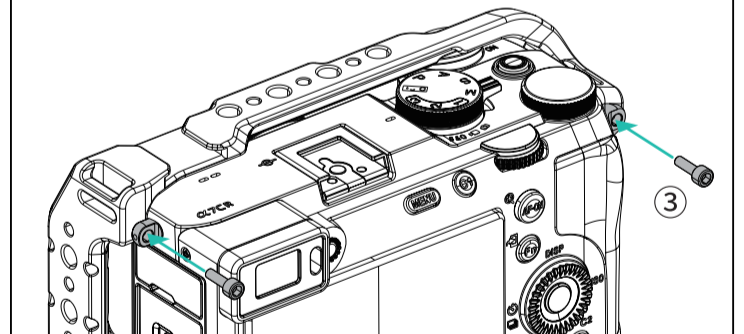
03 [INSTALLING THE FULL CAMERA CAGE]

1 Place the Camera into **1** the SONY A7CR full camera cage.

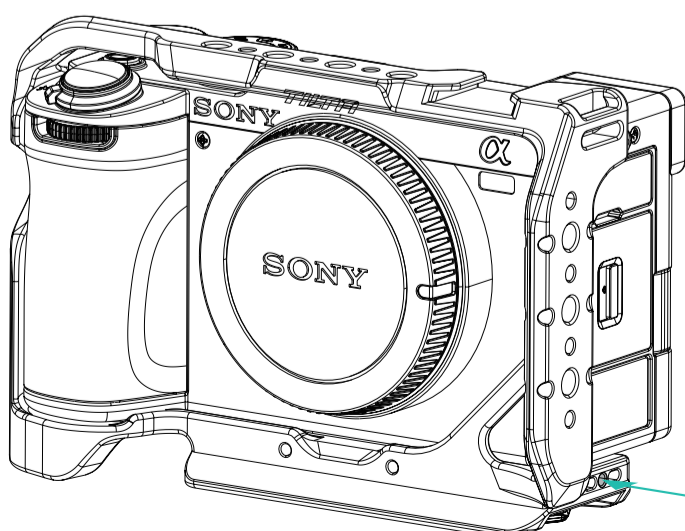
2 Take out **2** the multi-functional screwdriver from the bottom of the camera cage. Insert the screw into the camera thread with locating point and tighten the screw.



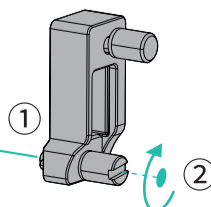
3 Remove the original triangular strap lug before assembling. Secure the assembly by tightening the M2.5 screw **3** through the lug interface onto the cage.



04 [ASSEMBLING THE CABLE CLAMP]



Install **1** the cable clamp onto the M3 thread on the lateral side of the cage, tighten **2** the screw to complete the assembly.



FOR SONY A7C II/A7CR **TILTA** [铁头 索尼A7C II/A7CR-全笼]

01 [免责声明]

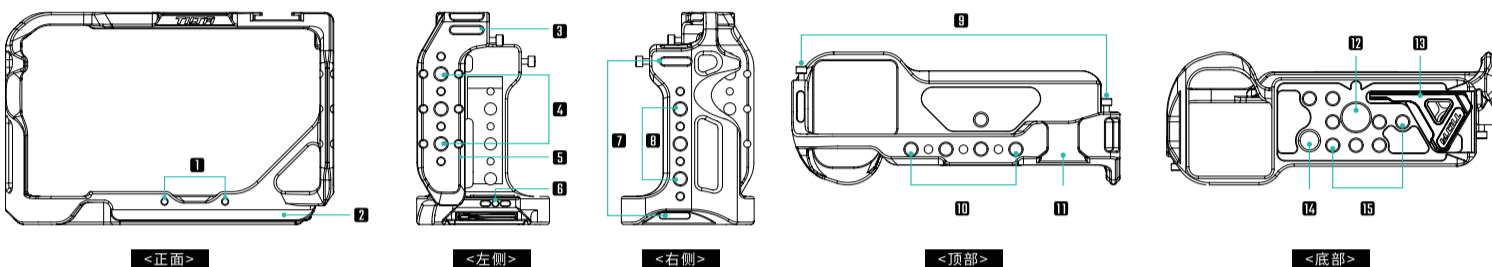
感谢您购买TILTA产品。

使用本产品之前,请仔细阅读本文以确保已对产品进行正确的设置。本文档及本产品所有相关的文档最终解释权归TILTA所有。如有更新,请访问www.tilta.com官方网站获取最新的产品信息。TILTA保留随时修改本手册中任何信息的权利,无需提前通知且不承担任何责任。

一旦使用本产品,即视为您已经仔细阅读免责声明与警告,理解、认可和接受本声明全部条款和内容。您承诺对使用本产品以及可能带来的后果负全部责任。您承诺仅出于正当目的使用本产品,并且同意本条款以及TILTA制定的任何相关条例、政策和指引。TILTA对于直接或间接使用本产品而造成的损坏、伤害以及任何法律责任不予负责。用户应遵循包括但不限于本文提及的所有安全指引。即使存在上述规定,消费者权益依然受当地法律法规所保障,并不受本免责声明影响。

TILTA是深圳市铁头科技有限公司及其关联公司的商标。本文出现的产品名称、品牌等均为其所属公司的商标或注册商标。

02 [认识全笼]



1 M3螺纹孔 [可安装镜头转接环支撑]

2 阿卡燕尾滑条

3 肩带接口

4 1/4定位螺纹孔

5 NATO滑条

6 M3螺纹孔[可安装线夹等配件]

7 腕带接口

8 1/4定位螺纹孔

9 多重锁紧螺丝/M2.5螺丝(背面)

10 1/4定位螺纹孔

11 冷靴接口[可接麦克风/灯光/图传等配件]

12 机身固定孔(底部)

13 双规格扳手

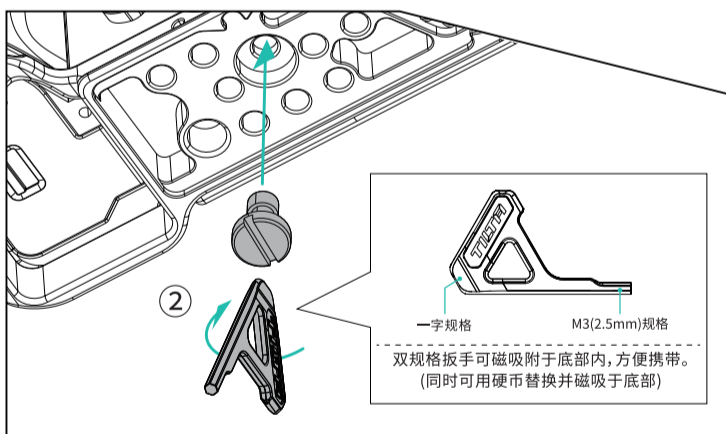
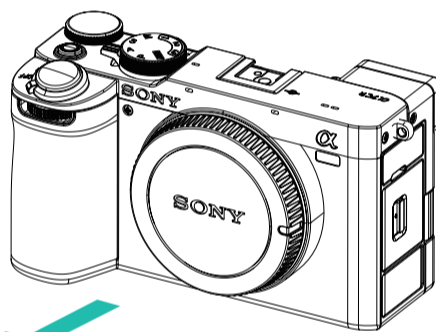
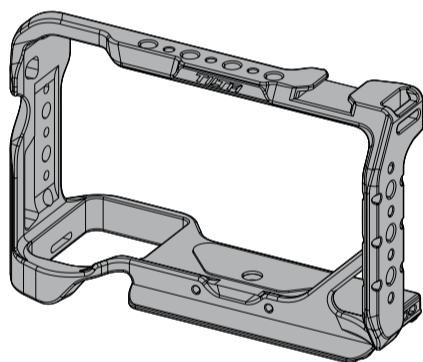
14 3/8螺纹孔

15 1/4螺纹孔

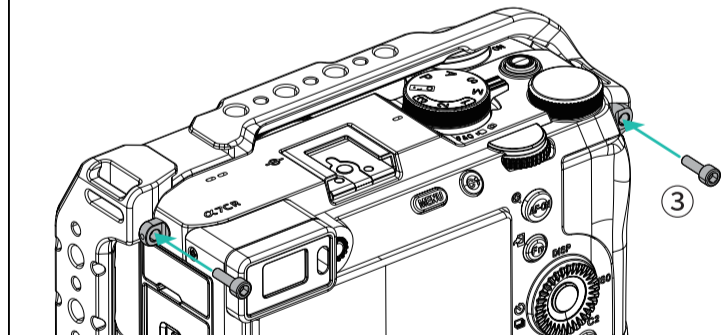
03 [安装全笼]

1 将摄影机装入①索尼A7CR全笼。

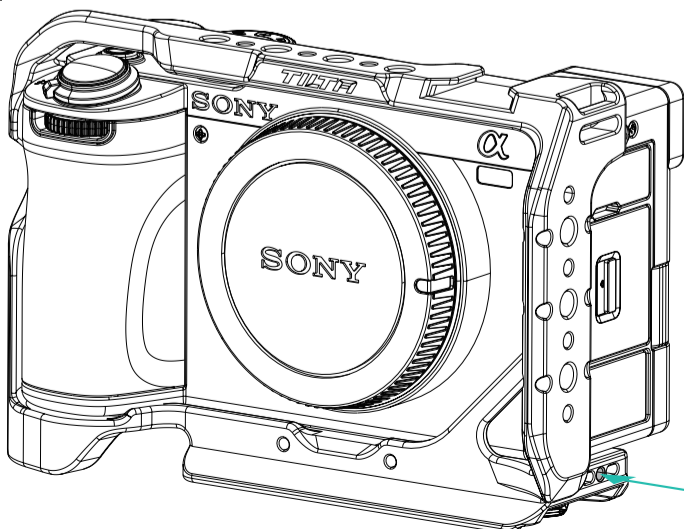
2 取出②双规格扳手,将螺丝锁进笼子底部的机身固定孔上,完成装配。



3 需先无损拆卸原装摄影机上的三角挂环,再将M2.5螺丝③通过挂环接口锁紧在笼子上完成装配。



04 [安装线夹]



将线夹①安装在笼子侧面的M3螺纹孔上,拧紧螺丝②完成装配。

