

TILTA X EXASCEND

CF EXPRESS TYPE A TO M.2

CFexpress Type A 转 M.2 硬盘手柄

感谢您购买TILTA（铁头科技）与EXASCEND（至誉科技）联合出品的产品。

使用本产品之前,请仔细阅读本使用说明以确保对产品进行正确的设置。本文档及本产品所有相关的文档最终解释权归TILTA与EXASCEND所有。如有更新恕不另行通知。请访问www.tilta.com / www.exascend.com官方网站以获取最新的产品信息。

一旦使用本产品,即视为您已经仔细阅读免责声明与警告,理解、认可和接受本声明全部条款和内容。您承诺对使用本产品以及可能带来的后果负全部责任。您承诺仅出于正当目的使用本产品,并且同意本条款以及TILTA与EXASCEND制定的任何相关条例、政策和指引。

TILTA与EXASCEND对于直接或间接使用本产品而造成的损坏、伤害以及任何法律责任不予负责。用户应遵循包括但不限于本文提及的所有安全指引。即使存在上述规定,消费者权益依然受当地法律法规所保障,并不受本免责声明影响。

[警告]

- 为减少发生火灾,触电或接触不良,请勿让连接器端口淋雨或受潮;如果连接器受潮或变脏,请在使用前先擦拭干净。
- 不要用手或任何金属物体接触连接器端口;不要故意猛烈撞击、弯曲、跌落或弄湿连接器端口。
- 不要把CFexpress Type A 存储卡连接器端口直接插入不兼容此存储卡的插槽中。
- 长时间使用后,本存储卡可能会发热。触摸连接器端口时务必小心。
- 为避免造成环境污染,请将废弃产品按照当地法规进行处置。
- 不要试图拆卸或改装本存储卡。
- 对重要数据最好制作备份。

[注意]

- 本存储卡在出厂前已经格式化。如需重新格式,请使用CFexpress Type A存储卡兼容产品。有关详情,请参阅本使用说明或联系官方客服。
- 在下列情形中,可能会损坏或丢失记录的数据:
在格式化、读取或写入数据的过程中,取出本存储卡连接器或者关闭电源; 在受静电或电气噪声影响的地方使用本产品。
- 当机器无法识别存储卡时,请关闭电源并重新打开,或者在取出连接器后重新启动机器。

本产品提供五(5)年有限保修。

- 自购买之日起五(5)年;或者
- 固态硬盘达到宣传的DWPD或TBW等级时结束的时间;或者
- 设备寿命指示灯达到异常值时的结束时间。

本有限保修不适用于以下任何情况导致的问题或损坏，TILTA和EXASCEND不承担任何责任或义务：

(1)事故、修改、疏忽、滥用、粗心或不当操作、拆卸、误用或在异常物理环境或未经TILTA和EXASCEND批准的操作条件下使用（包括但不限于电压供应不当使用产品）；

(2) 正常磨损；

(3) 去除产品上或随产品提供的标签或贴纸(包括所有保修或质量控制贴纸、产品序列号或电子编号)；

(4) 与产品一起使用的非TILTA和EXASCEND硬件、软件或其他项目相关或存在的问题；

(5) 使用的环境，方式或用途与TILTA和EXascend发布的指导文档不符时；

(6) 由TILTA和EXASCEND或其授权代表以外的任何人安装、修改、更改或维修；

(7) 与材料或工艺无关的问题，或对产品的使用或操作造成轻微损害的问题；

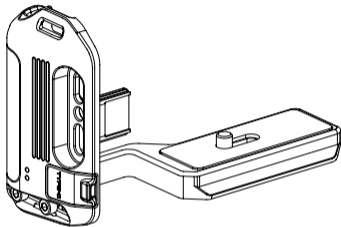
(8) 与消耗品有关的问题；

(9) 购买的“二手”或“有已知故障、缺陷或问题”的产品。

此外，TILTA和EXASCEND没有责任或义务恢复产品中的任何数据。

03 CFexpress Type A 转 M.2 硬盘手柄

产品规格



格式技术 支持V60,V90,VPG200, VPG400认证。
可录制ALL-I格式和全格式视频。

传输速度 读写速度可达800MB/s
USB读写速度可达20Gbps

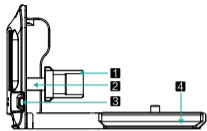
容量 512GB

兼容机器 SONY A7S3 / A1 / FX3

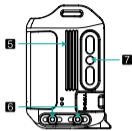
质保 五年保修

SSD ▶ 固态硬盘读写状态时，指示灯会闪烁。

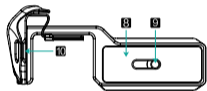
USB ▶ USB接口有数据传输时，指示灯会闪烁。



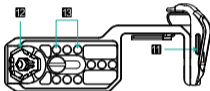
<正面>



<右侧面>



<顶面>



<底面>

1 CFexpress Type A连接器

2 软排线

3 Type-c接口

4 阿卡燕尾滑条

5 散热区

6 M4螺丝(用于固定或调节底板)

7 1/4螺纹孔

8 胶垫

9 1/4螺丝(用于固定机身)

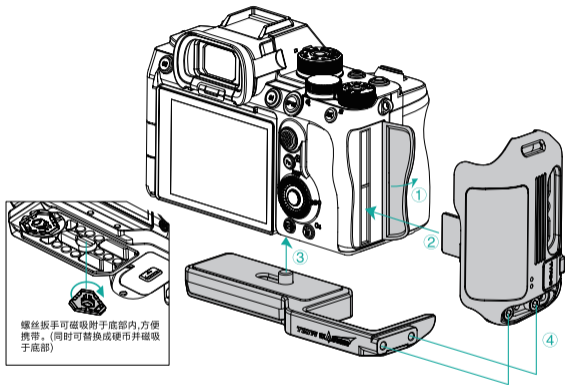
10 腕带接口

11 腕带接口

12 一字螺丝扳手
[可磁吸附于底部的拆卸工具，
同时可用硬币替换使用]

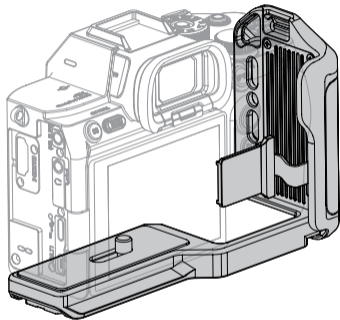
13 1/4螺纹孔

04 安装介绍



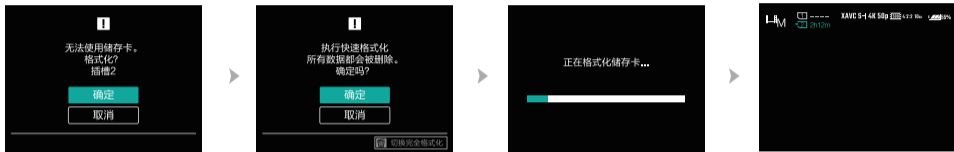
螺丝扳手可磁吸附于底部内,方便携带。(同时可替换成硬币并磁吸于底部)

打开①相机存储卡仓,插入② CFexpress Type A连接器并调整软排线确认是否安装到位;将手柄底板安装至相机底部贴合的位置,拧紧③机身固定孔即可。完成后通过1//4螺丝④将手柄和底部组合在一起即完成装配。



05 使用介绍

(一) 开机测试



待硬盘手柄安装好后，开机初始状态会出现格式化储存卡窗口，点击确定，完成后主界面会显示插槽已插上的图标。

(二) 格式化硬盘



如未弹出格式化窗口，需自行前往“拍摄<媒体<格式化”来格式硬盘手柄的储存卡。

06 使用介绍

(三) 设置相机录制卡槽

通过“媒体<摄像媒体设置”选择进行录制的卡槽或打开“自动切换摄像媒体”开关进行录制。



(四) 选择视频格式并录制测试



通过“拍摄<影像质量<文件格式”选择最高品质的文件格式，同时将“拍摄<影像质量<动态影像设置<记录帧速率”帧速率调至最高即完成测试。

07

全格式下录制时间参照

PAL制式

25p

- 2h12m XAVC HS 8K 25p 1520 4:2:2 10bit
- 7h40m XAVCS 4K 25p 1140 4:2:2 10bit
- 19h41m XAVCS HD 25p 50 4:2:2 10bit
- 4h27m XAVC S-I 4K 25p 250 4:2:2 10bit
- 11h37m XAVC S-I HD 25p 93 4:2:2 10bit

50p

- 5h27m XAVC HS 4K 50p 520 4:2:2 10bit
- 5h27m XAVCS 4K 50p 200 4:2:2 10bit
- 19h41m XAVCS HD 50p 50 4:2:2 10bit
- 2h14m XAVC S-I 4K 50p 500 4:2:2 10bit
- 5h54m XAVC S-I HD 50p 165 4:2:2 10bit

100p

- 3h52m XAVC HS 4K 100p 1280 4:2:2 10bit
- 3h52m XAVCS 4K 100p 280 4:2:2 10bit
- 10h46m XAVCS HD 100p 100 4:2:0 8bit

NTSC制式

24p

- 2h9m XAVC HS 8K 24p 520 4:2:2 10bit
- 10h47m XAVC HS 4K 24p 100 4:2:2 10bit
- 10h46m XAVCS 4K 24p 180 4:2:2 10bit
- 19h41m XAVCS HD 24p 50 4:2:2 10bit
- 4h38m XAVC S-I 4K 24p 240 4:2:2 10bit
- 12h8m XAVC S-I HD 24p 83 4:2:2 10bit

30p

- 2h9m XAVC HS 8K 30p 520 4:2:2 10bit
- 7h40m XAVCS 4K 30p 140 4:2:2 10bit
- 19h41m XAVCS HD 30p 50 4:2:2 10bit
- 3h42m XAVC S-I 4K 30p 300 4:2:2 10bit
- 9h46m XAVC S-I HD 30p 111 4:2:2 10bit

60p

- 5h27m XAVC HS 4K 60p 260 4:2:2 10bit
- 5h27m XAVCS 4K 60p 260 4:2:2 10bit
- 19h41m XAVCS HD 60p 180 4:2:2 10bit
- 1h51m XAVC S-I 4K 60p 300 4:2:2 10bit
- 4h56m XAVC S-I HD 60p 122 4:2:2 10bit

120p

- 3h52m XAVC HS 4K 120p 280 4:2:2 10bit
- 3h52m XAVCS 4K 120p 280 4:2:2 10bit
- 10h46m XAVCS HD 120p 100 4:2:0 8bit

注意：该表格中录制时间为理论参考时间，实际数据以实际操作为准！

Thank you for purchasing the co-presented product by Tilta and Exascend. Please read this user guide carefully before using the product to ensure the correct product settings have been applied. The final interpretation right of this article and the products belong to Tilta and Exascend. We reserve the right to update without prior notice. Please visit www.tilta.com / www.exascend.com official website for the latest product information. Once you use this product, it is deemed that you have carefully read the disclaimer and warning, and understand, recognize and accept all terms and contents of this statement. You assume full responsibility for the use of this product and the possible consequences. You agree to use this product only for legitimate purposes and also agree to these terms and any relevant regulations, policies and guidelines formulated by Tilta and Exascend. Tilta and Exascend are not responsible for damages, injuries and any legal liability arising directly or indirectly from the use of this product. Users should follow all safety guidelines including but not limited to those mentioned in this article.

Even if the above provisions exist, consumer rights are still protected by local laws and regulations and are not affected by this disclaimer.

WARNING

- To reduce the risk of fire, electric shock or poor contact, do not expose the connector port to rain or moisture; If the connector is wet or dirty, wipe it clean before use.
- Do not touch the connector ports with your hands or any metal objects.
- Do not plug the CFexpress Type A memory card connector port directly into a slot that is not compatible with this memory card.
- This memory card may become hot after prolonged use. Be careful when touching the connector ports.
- To avoid environmental pollution, please dispose of waste products in accordance with local regulations.
- Do not intentionally bump, bend, drop, or wet the connector ports.
- It is best to make backups of important data.

ATTENTION

- This memory card has been formatted at the factory. For reformatting, use a CFexpress Type A memory card compatible product. For details, please refer to this user guide or contact official customer service.
- In the following cases, recorded data may be damaged or lost:
 - During the process of formatting, reading or writing data, the user takes the memory card out of the machine or they turn off the power of the device.
 - The user uses this product in a location subject to static electricity or electrical noise.
- When the device does not recognize the memory card, turn the power off and on again, or restart the device after removing the connector.

We offer a five (5) years limited warranty for CFexpress Type A to M.2 Side Storage Handle product.

- a period of five (5) years beginning from the date of purchase; or
- the period ending when the drive reached advertised DWPD or TBW rating; or
- The period ending when device's Lifespan indicator reaches an abnormal value.

This Limited Warranty will not apply to, and TILTA&EXASCEND will have no liability or obligation with respect to, problems or damage resulting from any of the following:

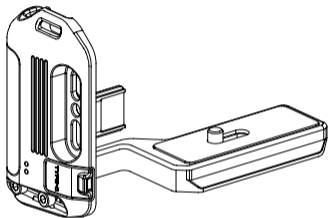
- (I) accident, modification, neglect, abuse, careless or incorrect handling, misuse or improper operation, disassembly, misapplication or use in unusual physical environments or under operating conditions not approved by TILTA&EXASCEND (including, but not limited to, use of the Product with an improper voltage supply);
- (II) normal wear and tear;
- (III) removal of label(s) or sticker(s) provided on or with the Product (including all warranty or quality-control stickers, product serial or electronic numbers);
- (IV) problems relating to or residing in non-TILTA&EXASCEND hardware, software or other items with which the Product is used;
- (V) use in an environment, in a manner or for a purpose for which the Product was not designed or not in accordance with TILTA&EXASCEND's published documentation;
- (VI) installation, modification, alteration or repair by anyone other than TILTA&EXASCEND or its authorized representatives;
- (VII) problems that do not relate to materials or workmanship or that have an insignificant impairment on the use or operation of the Product; or
- (VIII) problems related to consumables;
- (IX) Product purchased "AS-IS" or "with known faults, defects or problems."

Additionally, TILTA&EXASCEND will have no liability or obligation to recover any data in the product.

10

CFEXPRESS TYPE A TO M.2 SIDE STORAGE HANDLE

PRODUCT SPECIFICATIONS

**Format**

Supports V60, V90, VPG200, VPG400 authentication,
Supports ALL-I and full format recording.

Transfer Speed

Read/write speed up to 800 MB/s
USB read/write speed up to 20 Gbps

Capacity

512GB

Compatibility

SONY A7S3 / A1 / FX3

Warranty

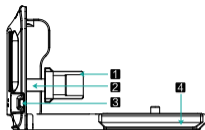
5-year warranty

SSD ▶

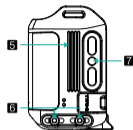
When the SSD is reading/writing, the indicator light will blink.

USB ▶

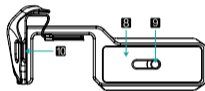
When data is being transferred, the indicator light will blink.



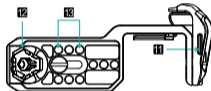
<FRONT>



<RIGHT SIDE>



<TOP>



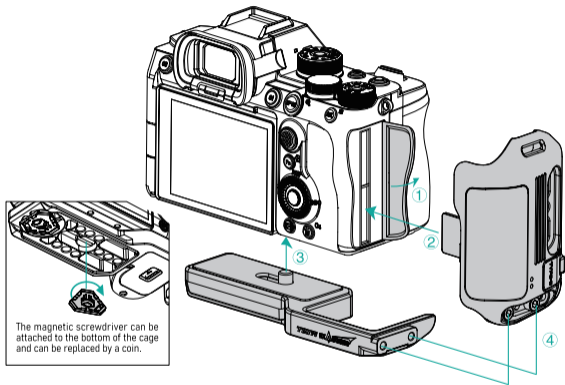
<BOTTOM>

- 1 CFexpress Type A Connector
- 2 Cable
- 3 USB-C Port
- 4 ARCA Dove Tail
- 5 Vent
- 6 M4 Screw
[For securing or adjusting bottom plate]
- 7 1/4"-20 Threaded Hole

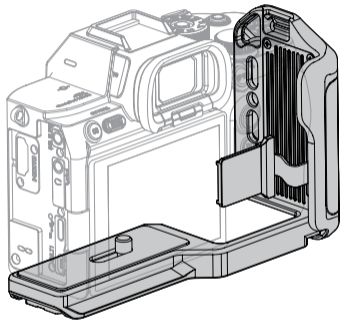
- 8 Silicone Pad
- 9 1/4"-20 Screw
[For mounting the camera body]
- 10 Wrist Strap Holder
- 11 Wrist Strap Holder
- 12 Flathead Screwdriver
[The magnetic screwdriver can be attached to the bottom of the cage and can be replaced by a coin.]
- 13 1/4"-20 Threaded Hole

11

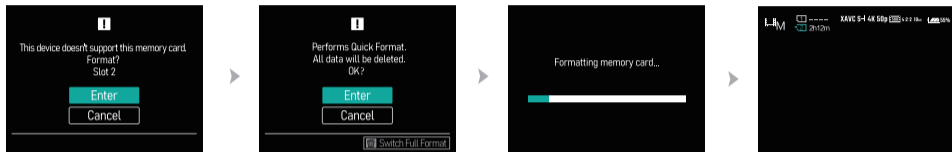
INSTALLATION



Open ① the card slot cover, insert ② the CFexpress Type A connector. Make sure the cable is installed correctly. Install the side handle and bottom plate to the camera body. Tighten ③ the screw. Use the 1/4" screws to connect ④ the handle and the bottom plate.

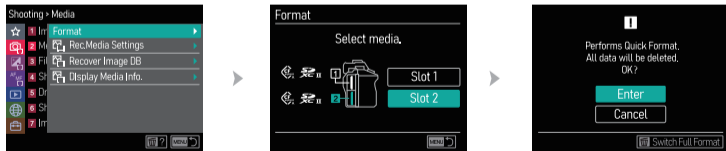


I. Power-on Test



Once the side storage handle is installed, the formatting window will pop up at the initial page when turning on the camera. Click on "Enter". After formatting is done, the storage will show as connected on the main interface.

II. Formatting the Drive



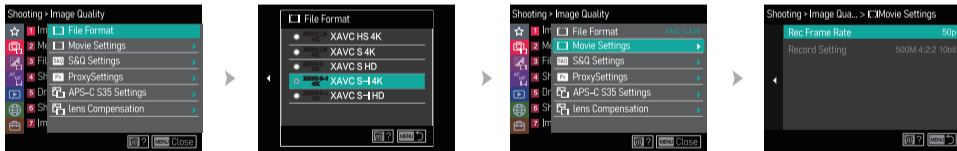
If the formatting window doesn't pop up automatically, please navigate to "Shooting<Media<Format" to initialize the side storage handle.

III. Selecting Media Slot

Navigate through "Media<Rec. Media Settings" to select the memory card slot. Or go to "Auto Switch Media" and turn on the setting.



IV. Select Recording Format and Record Test



Navigate through "Shooting<Image Quality<File Format" to select the highest recording format. Then go to "Shooting<Image Quality<Movies Settings<Rec Frame Rate" and select the highest frame rate.

PAL

25p

- 2h12m XAVC HS 8K 25p 1520 4 : 2 : 2 10bit
- 7h40m XAVCS 4K 25p 1140 4 : 2 : 2 10bit
- 19h41m XAVCS HD 25p 50 4 : 2 : 2 10bit
- 4h27m XAVC S-I 4K 25p 250 4 : 2 : 2 10bit
- 11h37m XAVC S-I HD 25p 93 4 : 2 : 2 10bit

50p

- 5h27m XAVC HS 4K 50p 920 4 : 2 : 2 10bit
- 5h27m XAVCS 4K 50p 200 4 : 2 : 2 10bit
- 19h41m XAVCS HD 50p 50 4 : 2 : 2 10bit
- 2h14m XAVC S-I 4K 50p 500 4 : 2 : 2 10bit
- 5h54m XAVC S-I HD 50p 165 4 : 2 : 2 10bit

100p

- 3h52m XAVC HS 4K 100p 280 4 : 2 : 2 10bit
- 3h52m XAVCS 4K 100p 200 4 : 2 : 2 10bit
- 10h46m XAVCS HD 100p 100 4 : 2 : 0 8bit

NTSC

24p

- 2h9m XAVC HS 8K 24p 920 4 : 2 : 2 10bit
- 10h47m XAVC HS 4K 24p 100 4 : 2 : 2 10bit
- 10h46m XAVCS 4K 24p 100 4 : 2 : 2 10bit
- 19h41m XAVCS HD 24p 50 4 : 2 : 2 10bit
- 4h38m XAVC S-I 4K 24p 240 4 : 2 : 2 10bit
- 12h8m XAVC S-I HD 24p 88 4 : 2 : 2 10bit

30p

- 2h9m XAVC HS 8K 30p 620 4 : 2 : 2 10bit
- 7h40m XAVCS 4K 30p 140 4 : 2 : 2 10bit
- 19h41m XAVCS HD 30p 50 4 : 2 : 2 10bit
- 3h42m XAVC S-I 4K 30p 300 4 : 2 : 2 10bit
- 9h46m XAVC S-I HD 30p 111 4 : 2 : 2 10bit

60p

- 5h27m XAVC HS 4K 60p 200 4 : 2 : 2 10bit
- 5h27m XAVCS 4K 60p 200 4 : 2 : 2 10bit
- 19h41m XAVCS HD 60p 100 4 : 2 : 2 10bit
- 1h51m XAVC S-I 4K 60p 600 4 : 2 : 2 10bit
- 4h56m XAVC S-I HD 60p 222 4 : 2 : 2 10bit

120p

- 3h52m XAVC HS 4K 120p 280 4 : 2 : 2 10bit
- 3h52m XAVCS 4K 120p 200 4 : 2 : 2 10bit
- 10h46m XAVCS HD 120p 100 4 : 2 : 0 8bit

NOTE: The recording times in the chart is for reference only. Please pay attention to the actual recording time on your memory card.

TILTA CFEXPRESS TYPE A TO M.2 SIDE STORAGE HANDLE
CFexpress Type A 转 M.2 硬盘手柄