

# MINI TABLE TOP TRIPOD

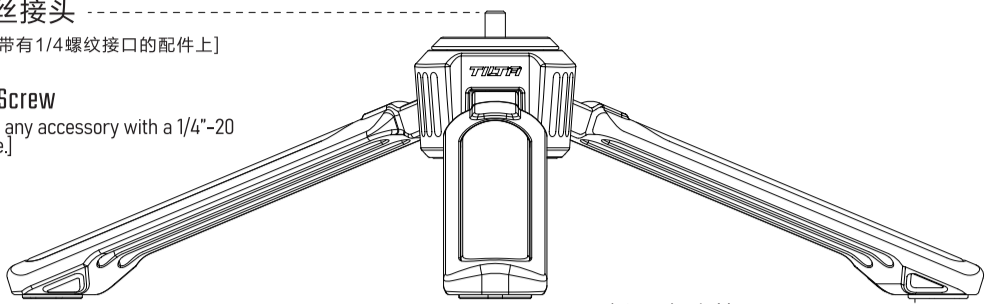
## TILTA 快速便携式三脚架

### 1/4 螺丝接头

[可装配在带有 1/4 螺纹接口的配件上]

### 1/4"-20 Screw

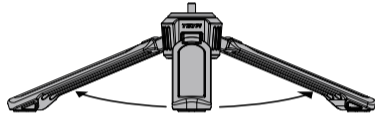
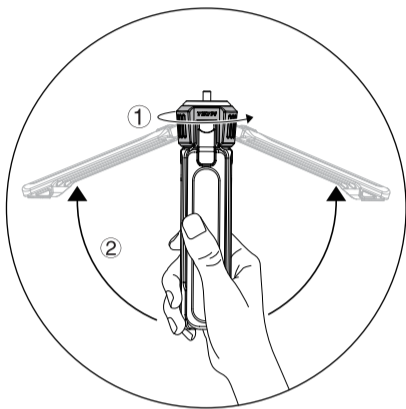
[Mounts to any accessory with a 1/4"-20 screw hole.]



防滑硅胶垫  
[稳固定位/不打滑]

Anti-Slip Silicone Pad  
[Prevents device from moving while resting on a surface.]

## 使用介绍 / INTRODUCTION

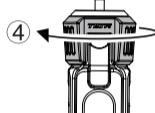
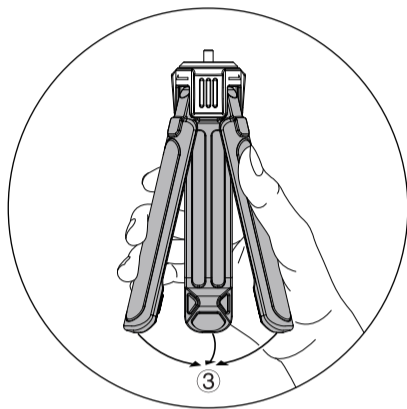


### 释放三脚架

转动轴钮①可快速释放三脚架②轻松实现低角度拍摄

### Expanding the Tripod

Rotate ① the release counterclockwise to expand ② the tripod legs. Easily achieve a low angle shot.



### 收拢三脚架

将三脚架三轴合起来③，锁紧轴钮④可轻松收拢起来。

### Collapsing the Tripod

Pull together the tripod legs as shown ③. Rotate ④ the release clockwise to lock the tripod.

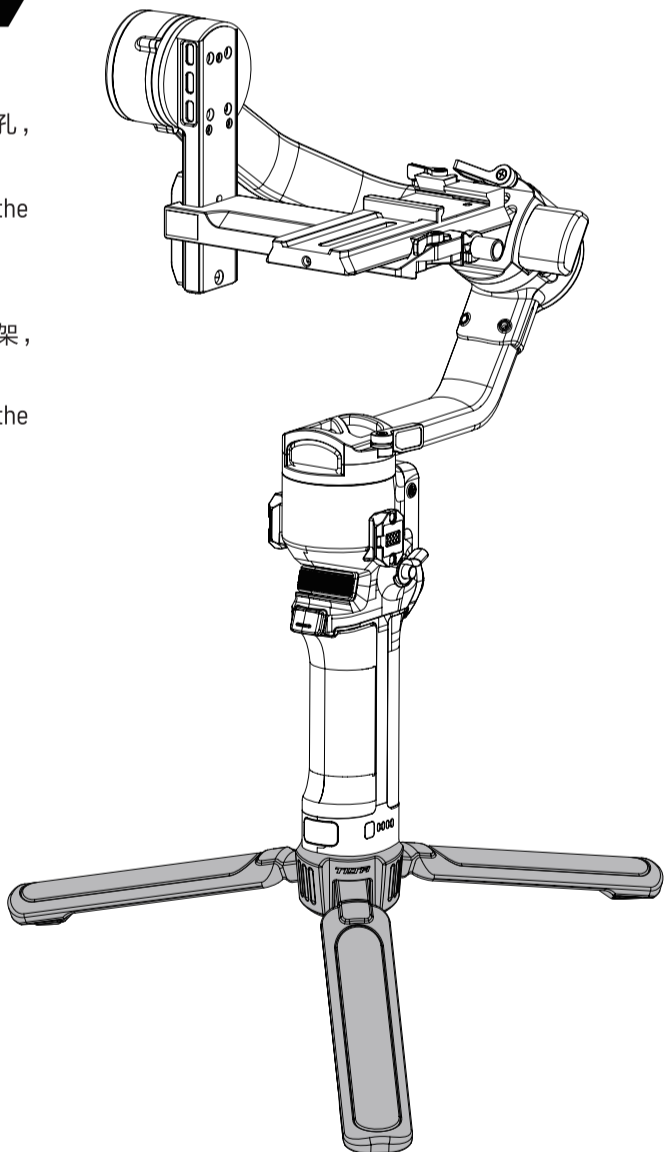
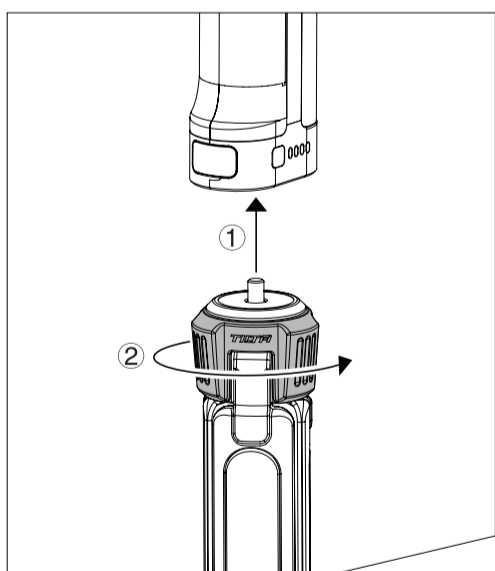
## (一) 搭配 RS2 云台使用 (I) ATTACHING TO DJI RS2

1. 将三脚架①对准云台手柄底部的 1/4 螺纹孔，拧紧即可使用。

Align ① the tripod with the 1/4"-20 screw hole on the bottom of the grip. Tighten the tie down screw.

2. 安装完成后转动三脚架的轴钮②释放三脚架，可稳固平放于平面上。

Rotate ② the release counterclockwise to expand the tripod legs. Place the device on a surface.



## (二) 搭配 TILTA 兔笼使用 (II) ATTACHING TO TILTA CAMERA CAGE

以 TILTA BMPCC 6K PRO 全笼为例，将三脚架安装在笼子底部的 1/4 螺纹孔上，释放三脚架即可稳固平放。

Take the Tilta BMPCC 6K Pro camera cage as an example. Align the tripod with the 1/4"-20 screw hole on the bottom of the camera cage. Tighten the tie down screw and expand the tripod legs to place the camera on a surface.

