

# FOR FUJIFILM X-H2S **TILTA** [Fujifilm X-H2S Camera Cage Kit]

## 01 [DISCLAIMER]

Thank you for purchasing a TILTA product.

Before using this product, please carefully read this document to ensure that the product has been set up correctly. The final interpretation of this document and all related documents for this product belongs to TILTA. For updates, please visit the official website at [www.tilta.com](http://www.tilta.com) for the latest product information. TILTA reserves the right to modify any information in this manual at any time without prior notice and without assuming any responsibility.

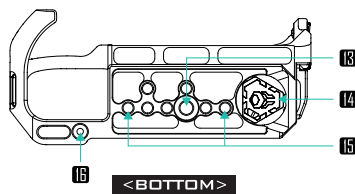
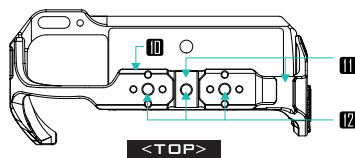
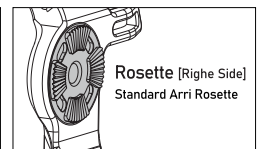
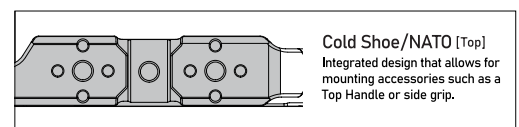
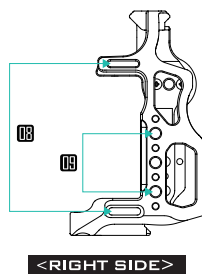
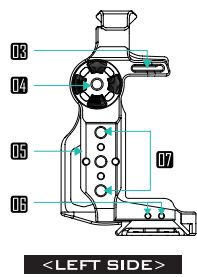
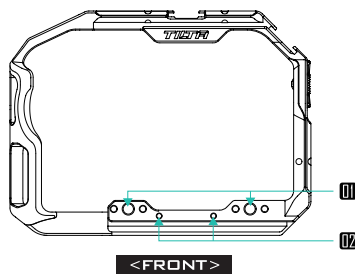
By using this product, you are deemed to have carefully read the disclaimer and warnings, understood, agreed, and accepted all the terms and content of this statement. You promise to take full responsibility for the use of this product and any consequences that may arise. You commit to using this product only for legitimate purposes and agree to this term as well as any related regulations, policies, and guidelines set by TILTA.

TILTA is not responsible for any damages, injuries, or legal liabilities caused directly or indirectly by the use of this product. Users should follow all safety guidelines mentioned in this document, including but not limited to those mentioned. Despite the above provisions, consumer rights are still protected by local laws and regulations and are not affected by this disclaimer.

TILTA is a trademark of Shenzhen TILTA Technology Co., Ltd. and its affiliated companies. Product names, brands, and other trademarks appearing in this document are trademarks or registered trademarks of their respective companies.

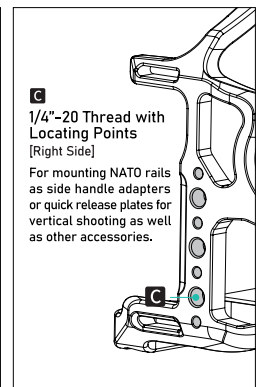
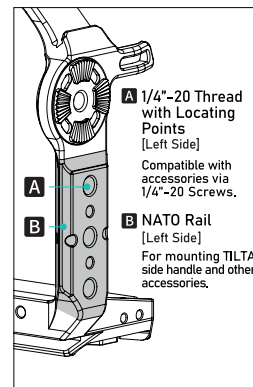
## 02 [FULL CAGE MANUAL]

### DETAILS >>

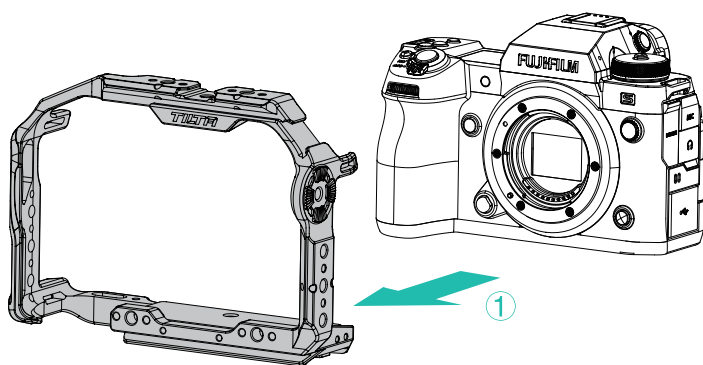


- 01 1/4"-20 Thread with Locating Points
- 02 M3 Thread (For mounting lens adapter support.)
- 03 Wrist Strap Holder
- 04 Rosette Standard Arri Rosette
- 05 NATO Rail (Side Arm)
- 06 M3 Thread (For mounting cable clamp.)
- 07 1/4"-20 Thread with Locating Points
- 08 Wrist Strap Holder
- 09 1/4"-20 Thread with Locating Points

- 10 NATO Rail (Top Plate)
- 11 Cold Shoe Receiver (For mounting onboard microphones, LED lights, and wireless video transmitters.)
- 12 1/4"-20 Thread
- 13 Camera Mounting Thread (Bottom Plate)
- 14 1/4"-20 Thread
- 15 Flat Head Screwdriver (Stores under the camera cage can be replaced by a coin.)
- 16 Camera Mounting Thread

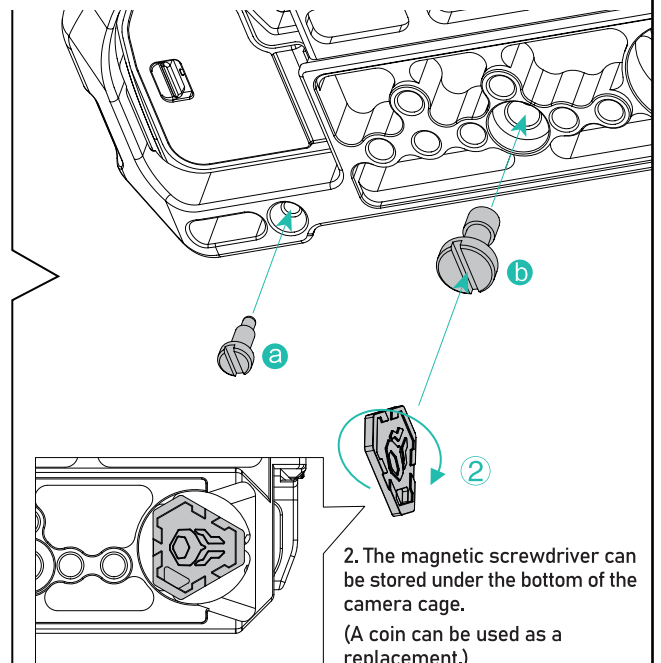


## 03 [INSTALLING THE FULL CAMERA CAGE]



1. Place the camera into the ① X-H2S full cage. Take out the ② flathead screwdriver from the bottom of the cage. Tighten the locating screw **a** and the flathead screw **b** into the mounting threads at the bottom of the cage to complete the assembly.

Note: This full cage is compatible with both Fuji X-H2 and X-H2S cameras.



2. The magnetic screwdriver can be stored under the bottom of the camera cage. (A coin can be used as a replacement.)

# FOR FUJIFILM X-H2S

**TILTA**  
[铁头 富士X-H2S摄影机拓展套件]

## 01 [免责声明/DISCLAIMER]

感谢您购买TILTA产品。

使用本产品之前,请仔细阅读本文以确保已对产品进行正确的设置。本文档及本产品所有相关的文档最终解释权归TILTA所有。如有更新,请访问www.tilta.com官方网站获取最新的产品信息。TILTA保留随时修改本手册中任何信息的权利,无需提前通知且不承担任何责任。

一旦使用本产品,即视为您已经仔细阅读免责声明与警告,理解、认可和接受本声明全部条款和内容。您承诺对使用本产品以及可能带来的后果负全部责任。您承诺仅出于正当目的使用本产品,并且同意本条款以及TILTA制定的任何相关条例、政策和指引。

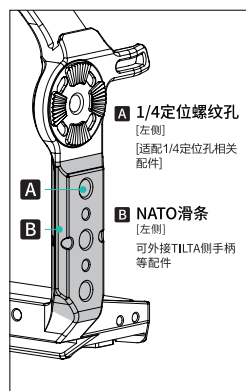
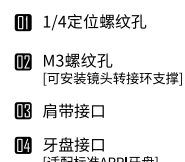
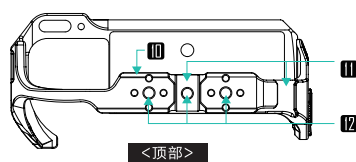
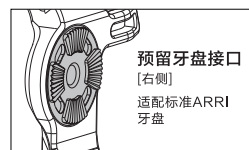
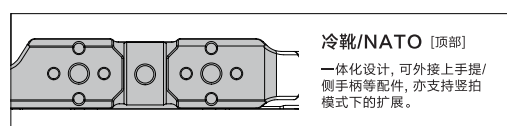
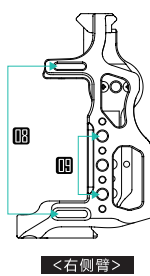
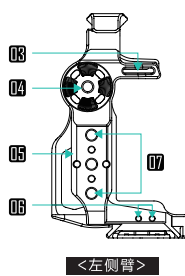
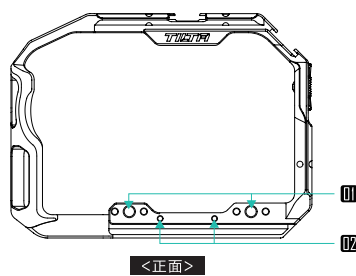
TILTA对于直接或间接使用本产品而造成的损坏、伤害以及任何法律责任不予负责。用户应遵循包括但不限于本文提及的所有安全指引。

即使存在上述规定,消费者权益依然受当地法律法规所保障,并不受本免责声明影响。

TILTA是深圳市铁头科技有限公司及其关联公司的商标。本文出现的产品名称、品牌等均为其所属公司的商标或注册商标。

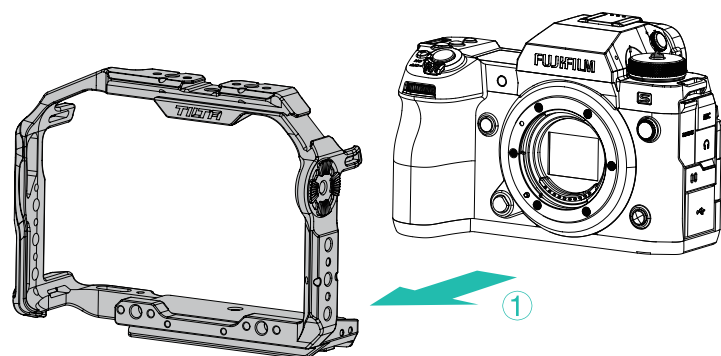
## 02 [认识全笼]

### 细节展示 >>



- 01 1/4定位螺纹孔
- 02 M3螺纹孔 [可安装镜头转接环支撑]
- 03 肩带接口
- 04 牙盘接口 [适配标准ARRI牙盘]
- 05 NATO滑条(侧臂)
- 06 M3螺纹孔 [可安装线夹等配件]
- 07 1/4定位螺纹孔
- 08 腕带接口
- 09 1/4定位螺纹孔
- 10 NATO滑条(顶部)
- 11 冷靴接口 [可接上手提/麦克风/灯光/图传/监视器支架等配件]
- 12 1/4螺纹孔
- 13 机身固定孔(底部)
- 14 1/4螺纹孔
- 15 一字螺丝扳手 [可磁吸附于底部的拆卸工具,同时可用硬币替换使用]
- 16 机身定位固定孔

## 03 [安装全笼]



1.将摄影机装入①X-H2S全笼,再取出笼子底部的②一字扳手,将机身定位螺丝**a**和一字螺丝**b**锁进笼子底部的安装孔完成装配。

注:该全笼可适用富士X-H2相机和X-H2S相机。

