



POCKET FOLLOW FOCUS

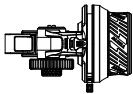
TILTA

专业轻型跟焦器

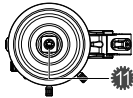




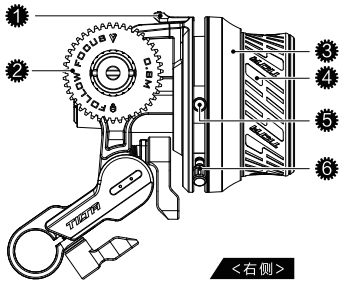
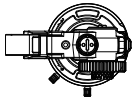
<顶面>



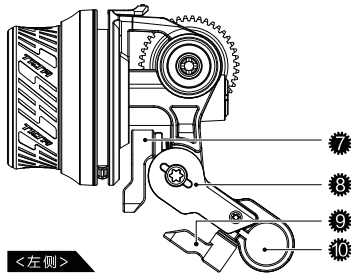
<正面>



<底面>



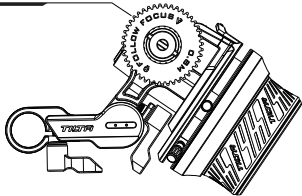
<右侧>



<左侧>

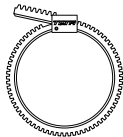
- | | | | |
|--|---|---------------------------------|-----------------------------|
| <p>❶ 推扭：可调A、B挡点
A、B挡点可调节，快速解除限位，满足360°
无限位变焦需求，实现全焦自由切换。</p> | <p>❸ 白环：可标记镜头刻度
通过磁吸方式连接，换取方便。</p> | <p>❺-❻ A、B挡点限位螺丝：防脱落，定点360°</p> | <p>❾ 15mm导轨锁紧手扭</p> |
| <p>❷ 标配M 0.8-43齿轮
可更换不同模数的齿轮</p> | <p>❹ 手动拨轮：可用于调焦
防汗、防滑设计，环保橡胶，符合人体工程学设计。</p> | <p>❼ 单导轨卡管手扭：调节卡管方向</p> | <p>❿ 安装15mm导轨</p> |
| | | <p>❽ 单导轨卡管：可90° 旋转调节</p> | <p>⓫ 可外接摇杆/马鞭等
灵活操控</p> |

M 0.8-43齿轮 x1



TILTA 专业轻型跟焦器

x1

扣式跟焦环
[适配不同直径镜头]

x1



15*100mm导轨

x1



底部导轨单孔卡件

x1



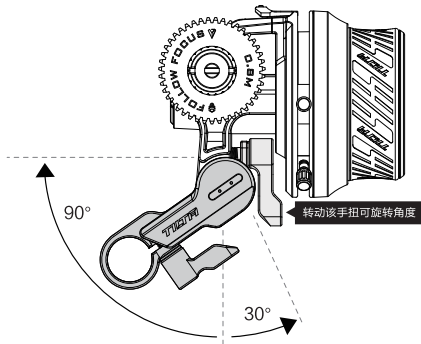
a L型3/16内六角扳手

x1

b L型3mm内六角扳手

x1





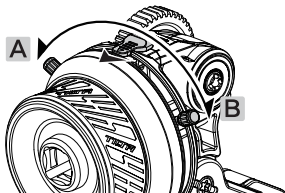
(一) 角度调节

(二) A-B档点功能介绍



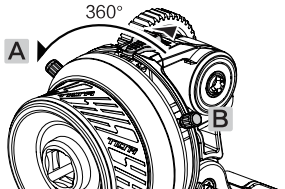
A-B档点限位

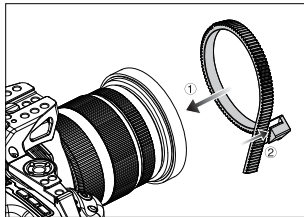
拨出推钮，根据需求选择A-B档点位置，拧紧限位位螺丝，即完成A-B档点功能操作。



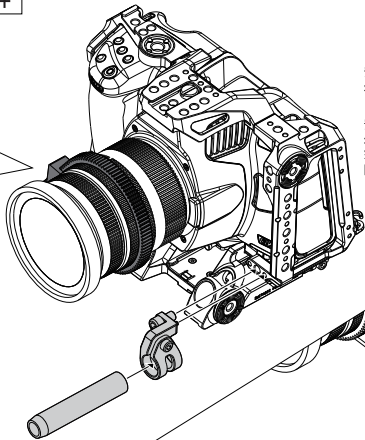
解除A-B档点限位

拨回推钮，可解除A-B档点限位，满足360°无限位调焦需求。





注意：如果镜头自带0.8模数的齿轮环
可忽略此步骤



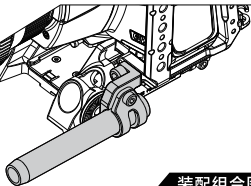
安装扣式跟焦环

将①跟焦环扣在镜头上，按指示方向②扣紧完成装配。

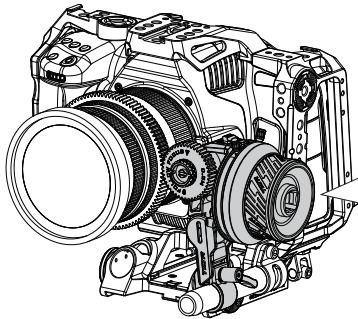
安装底部导轨单孔卡件

将卡件安装在笼子底部的1/4定位孔上，锁紧螺丝完成装配。

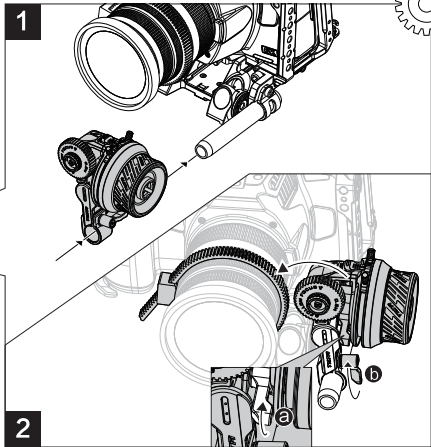
[拓展15mm导轨便于装配跟焦器]



05 安装跟焦器



将跟焦器安装在15mm导轨上，调整跟焦器的角度后将M0.8齿轮搭在扣式跟焦环上，锁紧卡管手扭**a**和导轨手扭**b**即可完成装配。

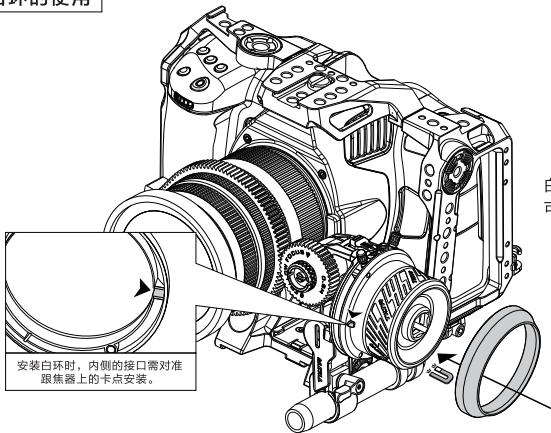


1

2

a

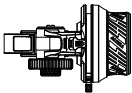
b



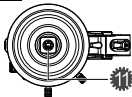
安装白环时，内侧的接口需对准跟焦器上的卡点安装。

白环通过磁吸方式安装在跟焦器上，换取方便。
可用于标记镜头刻度。

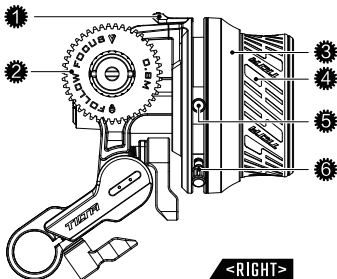
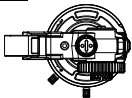
<TOP>



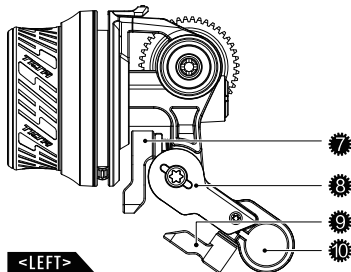
<FRONT>



<BOTTOM>



<RIGHT>



<LEFT>

- 1** **Hard Stop:** For setting A-B marks
The AB marks are 360° adjustable. Quick to set up and remove. No position limit.
- 2** **Standard Gear D,8 Mod, 43-Tooth**
Different mods of gear are available for different lenses.

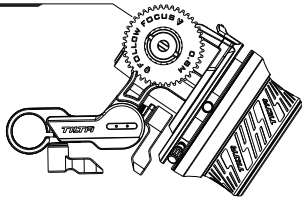
- 3** **Marking Disk:** For marking focus
Uses magnetic connection for quick assembly.
- 4** **Focus Knob:** For adjusting focus
Sweat proof and anti-slip. Ergonomic design.

- 5-6** **AB Marks Tie Downs:** Can't fall out of unit, 360° adjustable.
- 7** **Single Rod Holder Tie Down:** For adjusting rod holder's mounting direction.
- 8** **Single Rod Holder:** 90° angle adjustment.

- 9** **15mm Rod Holder Tie Down**
- 10** **15mm Rod Holder**
- 11** **For mounting follow focus speed crank or follow focus whip**

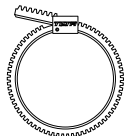


0.8 Mod 43-Tooth ×1



TILTA Pocket Follow Focus

×1



Focus Gear Ring

×1

(Compatible with different lens diameters.)



15×100mm Rod

×1



15mm Bottom Single Rod Holder

×1



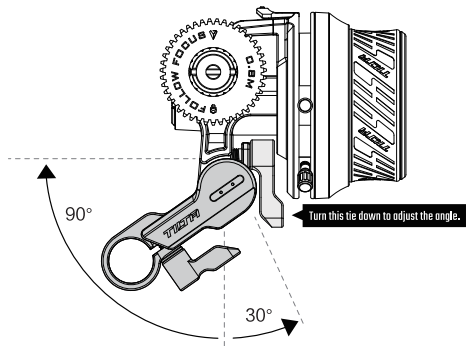
a L Shape 3/16 Allen Key

×1

b L Shape 3mm Allen Key

×1



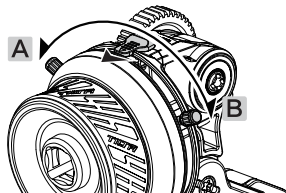


I. Angle Adjustment

II. A-B Marks

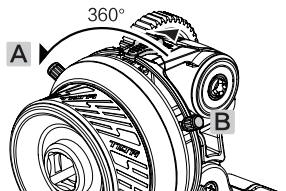
Setting A-B Marks

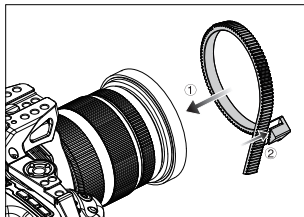
Push the hard stop forward.
Set the AB marks positions according to your focus needs.
Tighten the tie down screws.



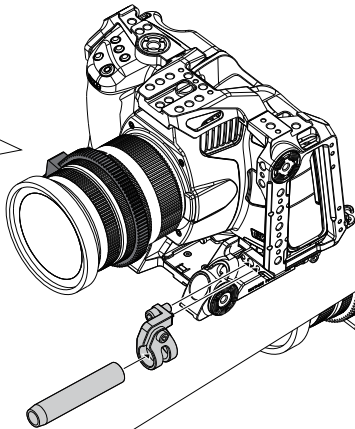
Removing A-B Marks

Pull the hard stop back to remove AB marks positions.
The focus knob can now rotate 360°.





NOTE: Ignore this step if the lens comes with 0.8 mod gear.

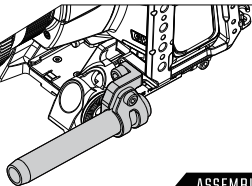


Installing Focus Gear Ring

Wrap ① the focus gear ring around the lens. Insert the ring into the latch as shown in ②.

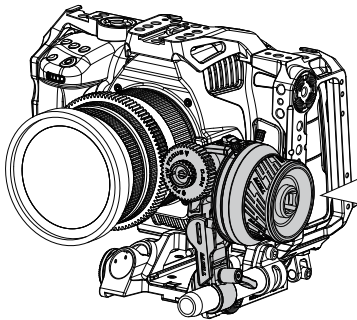
Installing 15mm Bottom Single Rod Holder

Align the holder with the 1/4"-20 screw hole on the camera cage. Tighten the tie down screw.

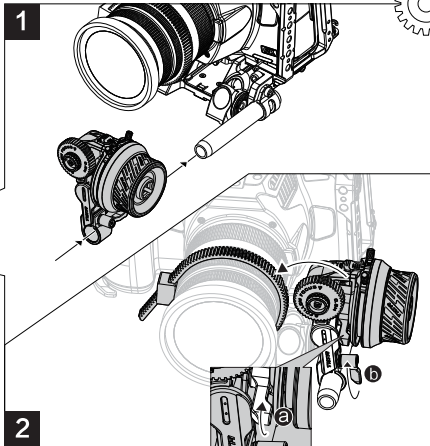


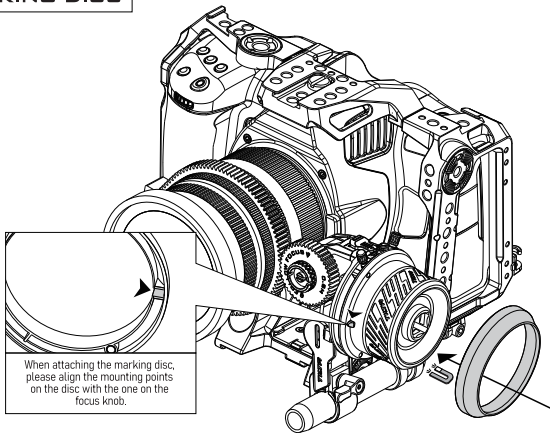
11

INSTALLING FOLLOW FOCUS



Mount the follow focus onto the 15mm rod. Adjust the mounting angle. Attach the 0.8 mod gear to the lens focus gear. Tighten the tie down screws **a** & **b**.





When attaching the marking disc, please align the mounting points on the disc with the one on the focus knob.

The marking disc has a built-in magnet for easy assembly and disassembly. It can be used for setting focus marks.

