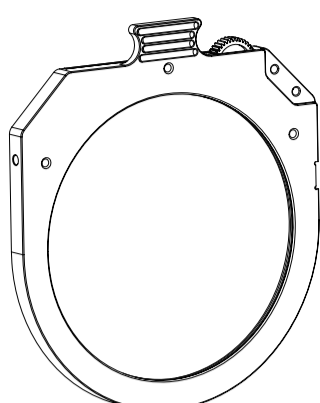
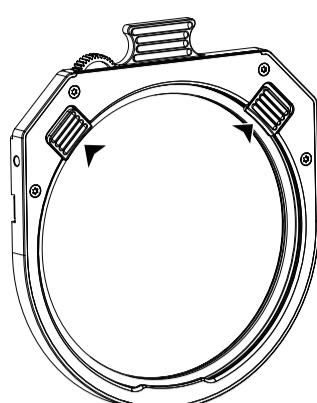


# ROTATABLE CIRCULAR FILTER TRAY

## TILTA FOR TILTA MIRAGE



[正面/Front]



[背面/Back]

### 使用95mm可变滤镜框/HOW TO USE THE ROTATABLE CIRCULAR FILTER TRAY

该滤镜框安装95mm圆形滤镜片。可使用各大厂商推出的95mm圆形系列滤镜, 包含有ND减光镜, 拉丝/十字/黑柔/白柔等各种效果镜片。

The circular filter tray is for installing a 95mm circular filter. It is compatible with all major filter manufacturers' 95mm circular filters, such as ND filters, streak filters, star-cross filters, black mist filters, white mist filters, etc.

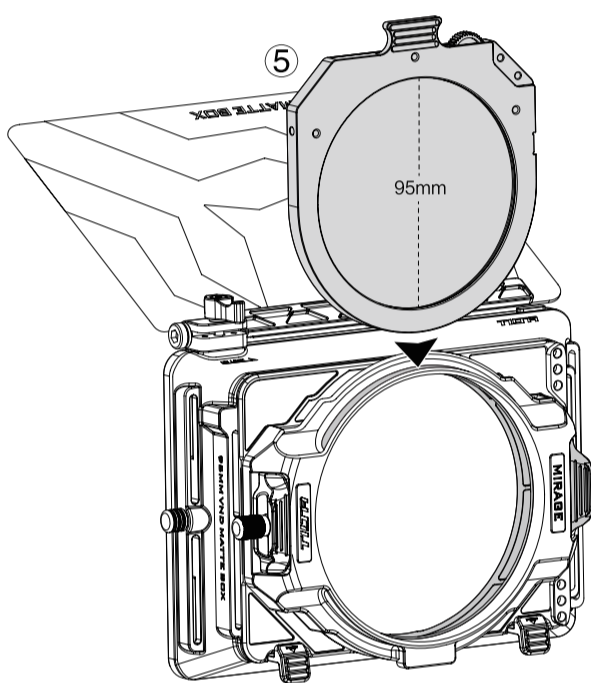
#### 安装 / INSTALLATION:

(1) 将滤镜片放入底部卡槽①并向上拨动卡扣②, 待滤镜片放入卡槽内③, 再松动卡扣完成装配。

Place the filter into ① the filter tray slot. Pull ② the locking toggle to allow the filter to fit into ③ the filter tray. Release the locking toggle to complete the installation.

(2) 将装好滤镜片的滤镜框按指示④拨动TILTA幻境遮光斗右边的保险扣, 可安装或取出95mm可变滤镜框⑤。

Pull ④ the locking toggle to release the filter holder, and slide ⑤ the filter tray with filter into the slot.

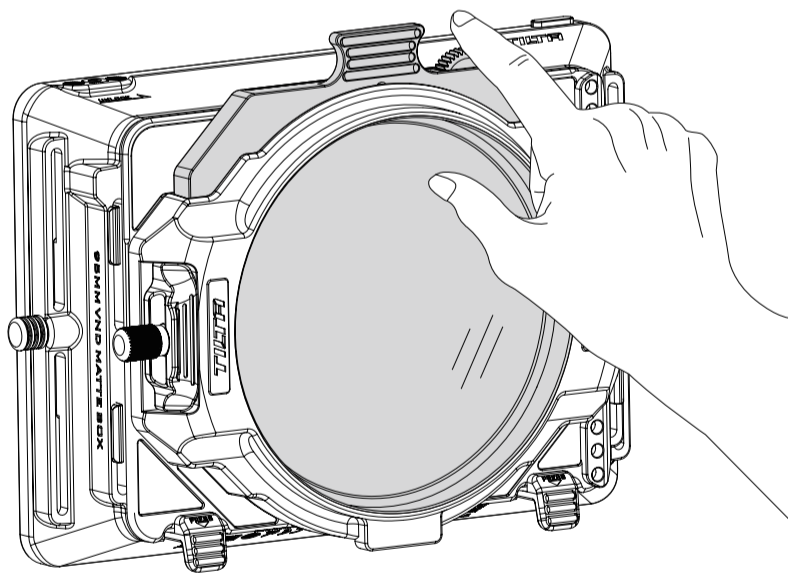


④ 拨开保险扣才能取出滤镜框  
Pull the locking toggle to release the filter holder.

#### 手动控制 / Manual Control

95mm可变滤镜框的右上端有一个齿轮, 用手拨动该齿轮即可改变ND的变量以达到手动控光。

Toggle the adjustment wheel on the top right of the rotatable circular filter tray to control the filter to the desired setting.



#### 搭配95mm滤镜叠加配件和ND滤镜组使用

Pairing with 95mm Stackable Circular Filter Tray & 95mm Variable ND

将装好滤镜片的95mm可变滤镜框①安装在95mm滤镜叠加配件上, 再装上②VND载体和塑胶罩体③, 拧紧叠加配件的旋钮螺丝④完成装配。

Slide ① the 95mm circular filter tray with filter into the 95mm stackable circular filter tray.

Mount ② the variable ND and ③ the matte box body. Tighten ④ the tie down screws.

