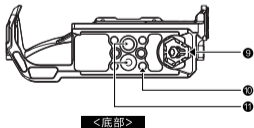
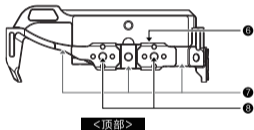
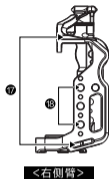
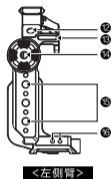
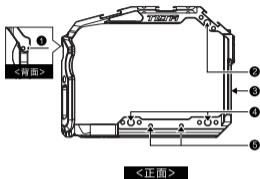


PANASONIC GH6

TILTA

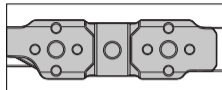
松下GH6摄影机拓展套件

01 认识全笼



- ① 机身耳机固定孔(背面)
- ② 1/4定位螺纹孔
- ③ NATO滑条(左侧)
- ④ 1/4定位螺纹孔
- ⑤ M3安装孔
(可安装镜头转接环支撑)
- ⑥ NATO滑条(顶部)
- ⑦ 冷靴接口
(可接上手提/麦克风/灯光/图传/监视器支架等配件)
- ⑧ 1/4定位螺纹孔
- ⑨ 一字螺丝扳手
(可磁吸附于底部的拆卸工具,同时可用硬币替换使用)
- ⑩ 1/4螺纹孔
- ⑪ 机身固定孔(底部)
- ⑫ 1/4螺纹孔
- ⑬ 肩带接口
- ⑭ 牙盘接口
(适配标准ARRI牙盘)
- ⑮ 1/4定位螺纹孔
- ⑯ M3安装孔
(可安装线夹等配件)
- ⑰ 腕带接口
- ⑱ 1/4定位螺纹孔

全笼细节展示 >>



冷靴/滑槽 [顶部]

一体化设计,可外接上手提/剃手柄等配件,亦支持竖拍模式下的扩展。



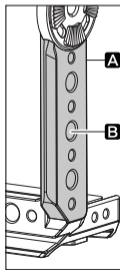
冷靴 [顶部]

可接麦克风/灯光/图传等配件



预留牙盘接口 [左侧]

适配标准ARRI牙盘



A NATO滑条 [左侧]

可外接TILTAING剃手柄等配件

B 1/4定位螺纹孔 [左侧]

[适配1/4螺纹孔相关配件]



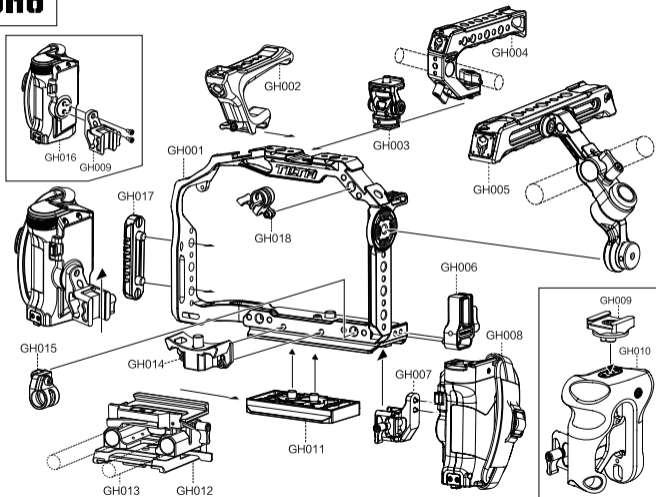
C 1/4定位螺纹孔 [右侧]

[可安装NATO滑条作为剃手柄转接件或可装快装底座作为竖拍稳定器固定等各种配件]

02 FOR PANASONIC GH6

套件分解说明

编号	产品名称	产品型号
GH001	松下GH6全笼	TA-T15-FCC-B
GH002	轻便NATO上手提	TA-QRTH7-B
GH003	监视器云台支架	TA-AMB-B
GH004	TILTAING上手提	TA-QRTH-B
GH005	按钮上手提	TA-QRTH4-B
GH006	松下GH6全笼HDMI线夹	TA-T15-CC1-B
GH007	手柄NATO延长件-左(右)	TA-AHA6-L(R)-B
GH008	专业录制手柄-左	TA-LRH-57-B
GH009	冷靴母座	TA-CSR
GH010	木质手柄	TA-LWH-B
GH011	松下GH6全笼滑板	TA-T15-BP-B
GH012	15mm标准底座型1	TA-BSP-15-B
GH013	15*200mm导轨	R15-200-B
GH014	GH5镜头转接口支撑	TA-T37-LAS-B
GH015	底部单孔导轨卡件	TA-BSRA-15-B
GH016	专业跟焦录制手柄-右	TA-RFH-57-B
GH017	Nato滑条长款36mm	TA-NRA-36-B
GH018	侧臂单孔导轨卡件	TA-SRA-15-B

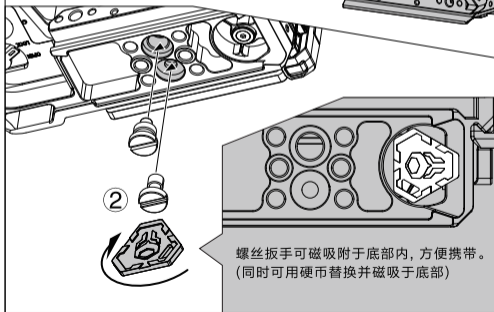
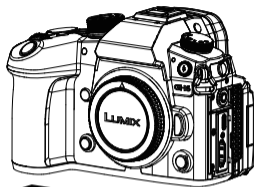
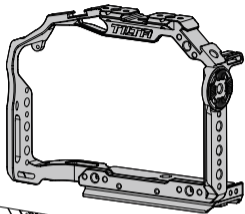


03

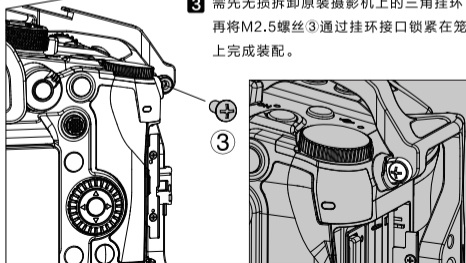
安装全笼

1 将摄影机装入①松下GH6全笼。

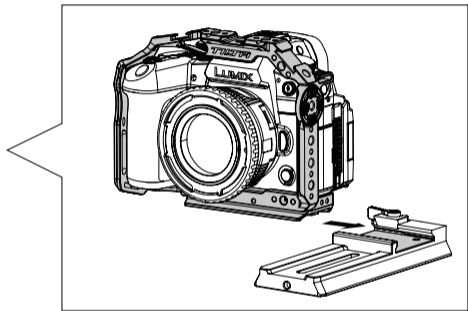
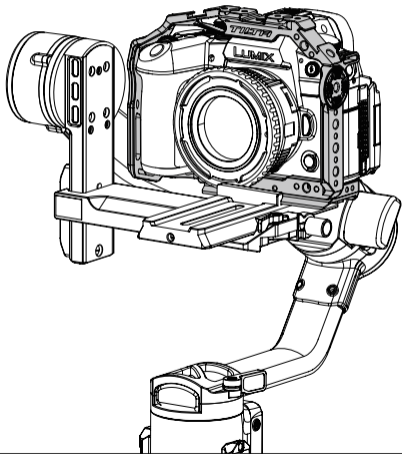
2 取出②一字扳手，将螺丝锁进笼子底部的机身固定孔上，完成装配。



3 需先无损拆卸原装摄影机上的三角挂环，再将M2.5螺丝③通过挂环接口锁紧在笼子上完成装配。



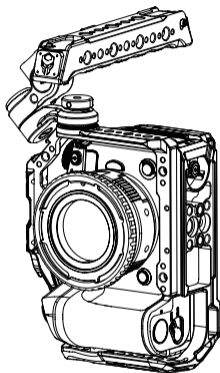
04 轻松装配于如影系列云台上



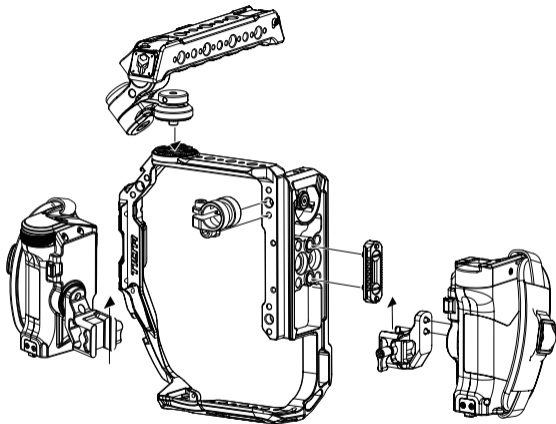
► 阿卡燕尾滑条

笼子底部设有阿卡燕尾滑条，可轻松快速安装上稳定器/脚架等。

05 全笼可切换为竖拍模式

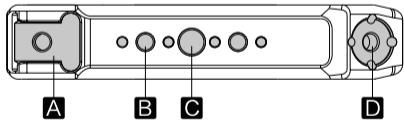
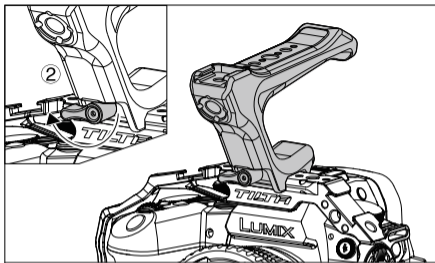
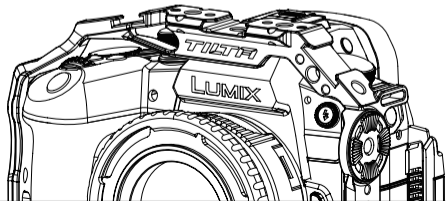
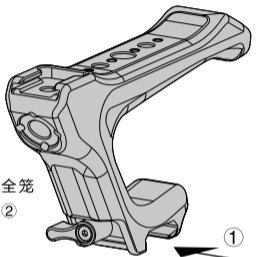


全笼在竖拍模式下的两侧可做侧臂使用。
(可搭配NATO滑条或侧手柄等拓展配件)



06 安装轻便NATO上手提

松开手扭，将上手提①滑入全笼顶部的滑条上，再拧紧手扭②完成装配。



顶部预留有 **A** 冷靴, **B** 1/4 螺纹孔, **C** 3/8 螺纹孔和 **D** 1/4 定位孔可拓展更多功能。

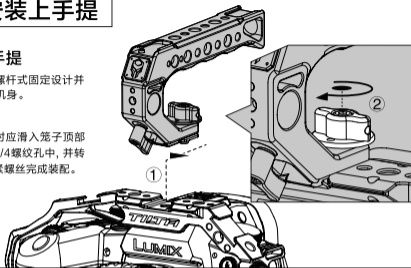
07 安装上手提

通用上手提

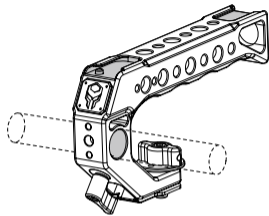
独特的冷靴螺杆式固定设计并快速装载于机身。

[安装]

将①上手提对应滑入笼子顶部冷靴槽中的1/4螺纹孔中，并转动②旋钮锁紧螺丝完成装配。



功能演示



手提前后双冷靴

[可接麦克风/灯光/图传/监视器支架/手机支架等配件]



15mm导轨适配孔

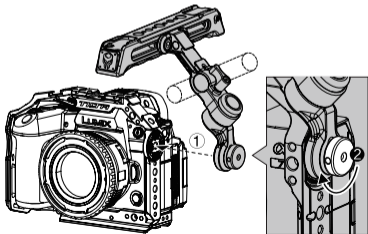
[可装载EVF支架并扩展各类支撑附件]

按钮上手提

根据不同场景和画面可通过旋转手提实现横/竖拍摄，专业便捷。

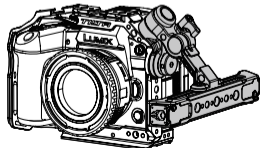
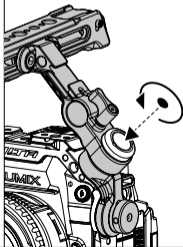
[安装]

将①上手提对准接在全笼左侧臂上ARRI牙盘处，并转动②旋钮锁紧螺丝完成装配。



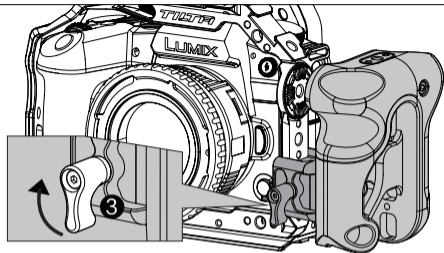
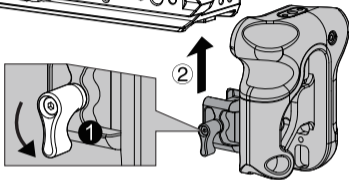
180度竖拍模式

向下按压按钮旋转180度可调整手提方位，轻松切换成竖拍模式完成拍摄。



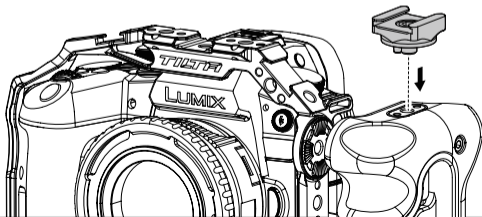
08 安装木质手柄和冷靴

1.先松开①Nato滑条延长件手扭，将②木质手柄完全滑入右侧滑条。

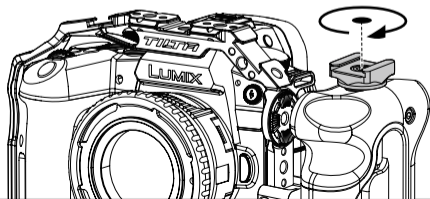


2.滑入后拧紧③手扭即可完成装配。

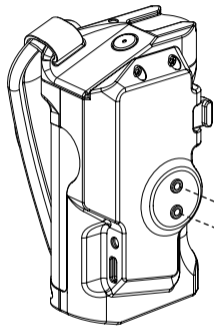
3.将冷靴对应木质手柄顶部的1/4定位螺纹孔。



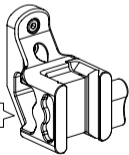
4.对应后拧紧螺丝即可完成装配。



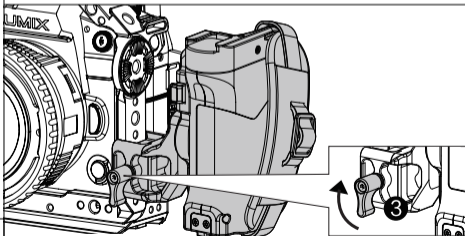
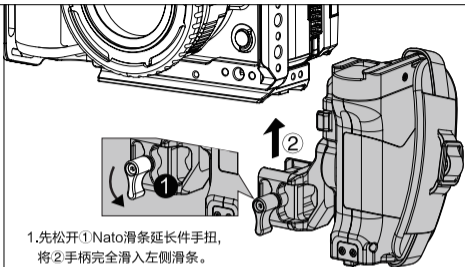
09 安装手柄/手柄转接件



手柄NATO延长件



录制手柄是稳定Type-c 8V、DC OUT 12V常规输出接口，外接设备请按照设备额定电压操作,如因不规范操作造成设备损坏，自行承担。



2.滑入后拧紧③手扭即可完成装配。

10

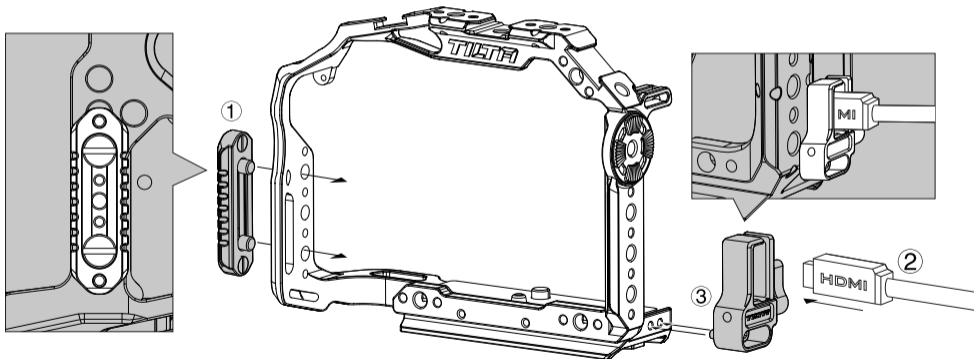
安装滑条和HDMI线夹

1. 安装①滑条。

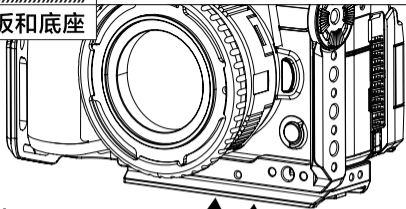
将滑条安装在笼子上的1/4螺纹孔，对准后拧紧螺丝完成装配。

2. 安装③HDMI线夹。

优先将②HDMI线头锁定到③HDMI线夹，再将HDMI线夹固定在笼子侧面的M3螺纹孔上。



11 安装快装板和底座

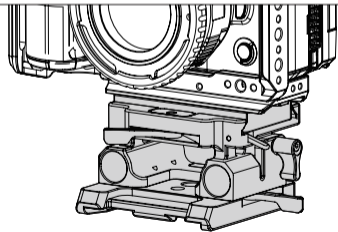
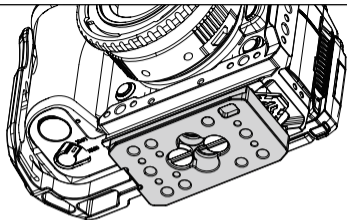
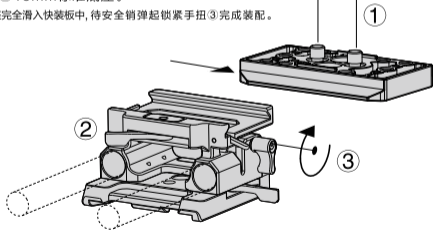


安装①GH6全笼底板。

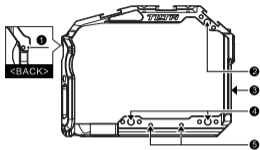
将底板对准底部的1/4螺丝孔，拧紧螺丝完成装配。

安装②15mm标准底座。

将底座完全滑入快装板中，待安全销弹起锁紧手扭③完成装配。

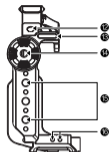


装配组合图

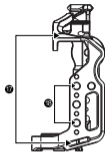


<BACK>

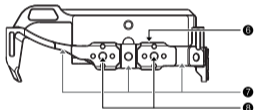
<FRONT>



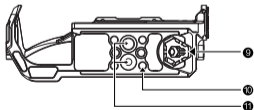
<LEFT SIDE ARM>



<RIGHT SIDE ARM>



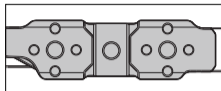
<TOP>



<BOTTOM>

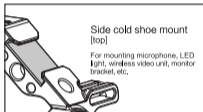
- 1 Locating pin hole (back)
- 2 1/4"-20 screw hole with locating points
- 3 NATO rail (left side arm)
- 4 1/4"-20 screw hole with locating points
- 5 M3 screw hole (for mounting lens adapter support)
- 6 NATO rail (top)
- 7 Cold shoe mount (for mounting the top handle, monitor bracket, microphone, wireless video unit, LED light, etc.)
- 8 1/4"-20 screw hole with locating points
- 9 Magnetic flat head screwdriver (can be stored on the bottom of the camera cage. Coin can be used as a replacement.)
- 10 1/4"-20 screw hole
- 11 Security mounting hole (bottom)
- 12 1/4"-20 screw hole
- 13 Strap holder
- 14 ARRI standard rosette (For mounting accessories with ARRI standard rosette.)
- 15 1/4"-20 screw hole with locating points
- 16 M3 screw hole (for mounting cable clamp attachment, etc.)
- 17 Wrist strap holder
- 18 1/4"-20 screw hole with locating points

DETAILS >>



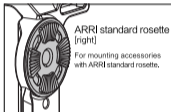
Cold shoe mount & NATO rail [top]

Integrated design provides mounting options for top handle, side handle, etc. Also supports mounting accessories in vertical shooting mode.



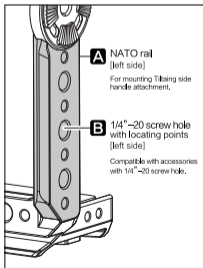
Side cold shoe mount [top]

For mounting microphone, LED light, wireless video unit, monitor bracket, etc.



ARRI standard rosette [right]

For mounting accessories with ARRI standard rosette.

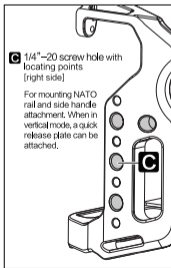


A NATO rail [left side]

For mounting Tilting side handle attachment.

B 1/4"-20 screw hole with locating points [left side]

Compatible with accessories with 1/4"-20 screw hole.



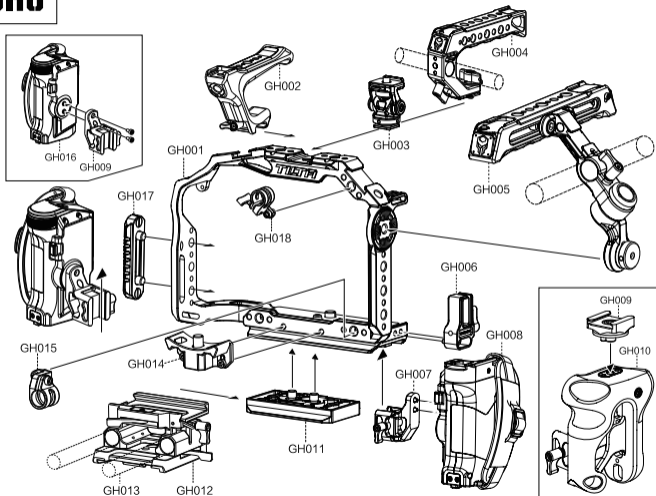
C 1/4"-20 screw hole with locating points [right side]

For mounting NATO rail and side handle attachment. When in vertical mode, a quick release plate can be attached.

13 FOR PANASONIC GH6

OVERVIEW

NO.	PRODUCT NAME	SKU
GH001	Full Camera Cage for Panasonic GH6	TA-T15-FCC-B
GH002	Tilting Compact NATO Top Handle	TA-QRTH7-B
GH003	Tilting Adjustable Cold Shoe Accessory Mounting Bracket	TA-AMB-B
GH004	Quick Release Top Handle	TA-QRTH-B
GH005	Tilting Adjustable Top Handle	TA-QRTH4-B
GH006	HDMI Clamp Attachment for Panasonic GH6	TA-T15-CC1-B
GH007	Tilting Advanced Left (or Right) Side Handle Attachment Type VI	TA-AHA6-L(R)-B
GH008	Tilting Left Side Advanced Power Handle with Run/Stop (F570 Battery)	TA-LRH-57-B
GH009	Tilting Cold Shoe Receiver Attachment	TA-CSR
GH010	Tilting Left Side Wooden Handle	TA-LWH-B
GH011	Bottom Plate for Panasonic GH6	TA-T15-BP-B
GH012	Tilting 15mm LWS Baseplate Type I	TA-BSP-15-B
GH013	Aluminum Rod 15*200mm	R15-200-B
GH014	Lens Adapter Support for Panasonic GH Series	TA-T37-LAS-B
GH015	Tilting 15mm Bottom Single Rod Holder	TA-BSRA-15-B
GH016	Tilting Right Side Advanced Focus Handle (F570 Battery)	TA-RFH-57-B
GH017	Tilting 36mm NATO Rail Attachment	TA-NRA-36-B
GH018	Tilting 15mm Side Single Rod Holder	TA-SRA-15-B

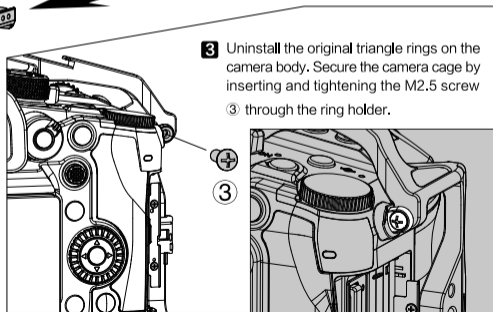
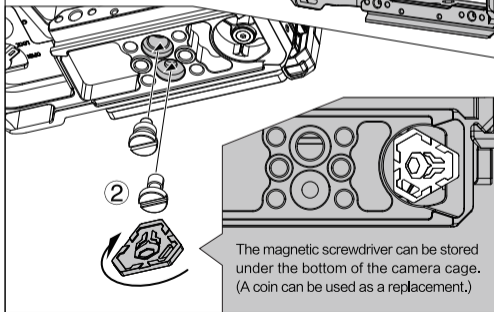
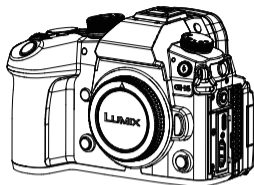
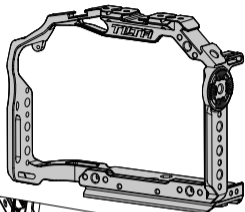


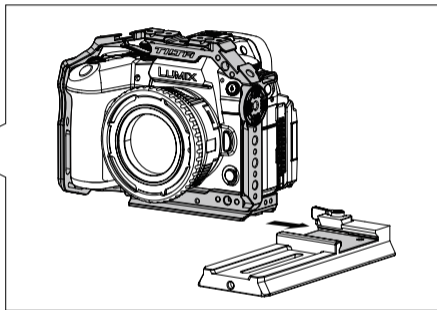
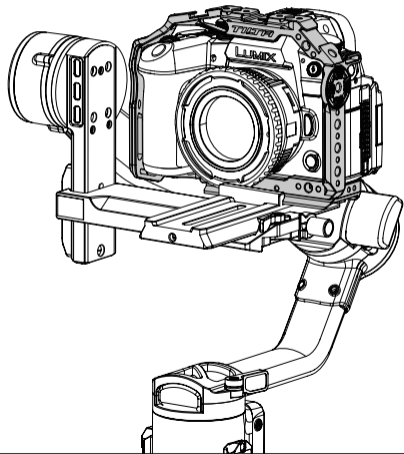
14

INSTALLING THE CAGE



- 1** Place the camera into ① the full camera cage.
- 2** Take out ② the flat head screwdriver from the bottom of the camera cage. Insert the screw into the screw hole and tighten the screw.



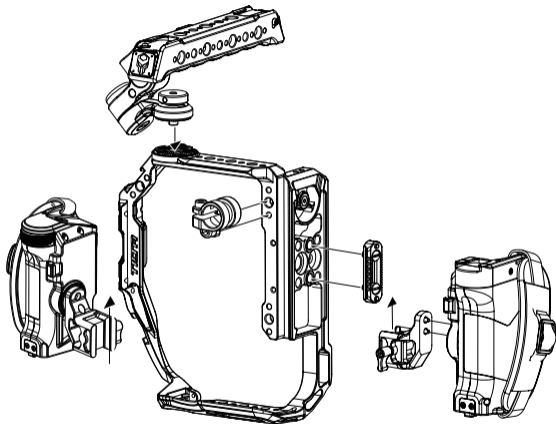
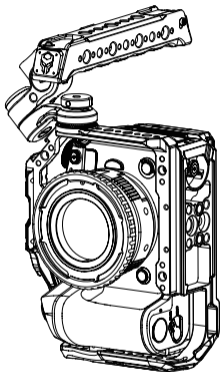


► **ARCA Quick Release Plate**

The camera cage has built-in ARCA quick release plate on the bottom. Supports quick and easy mounting on a gimbal or tripod.

16

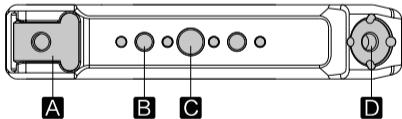
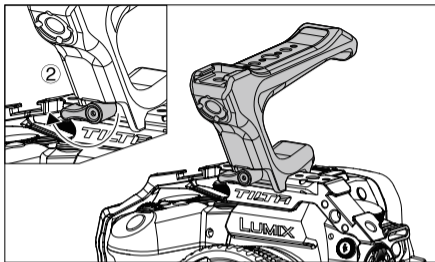
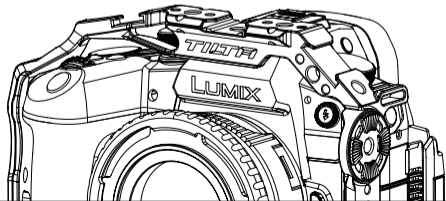
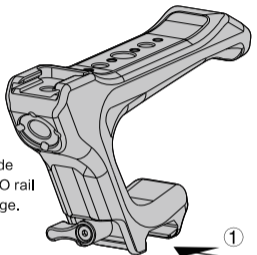
SWITCHING TO VERTICAL MODE



When the camera cage is used vertically, the top and bottom sides can function as the side arms.
(Pair with accessories such as a NATO rail, side arm, etc.)

17 INSTALLING TILTING COMPACT NATO TOP HANDLE

Loosen the tie down screw. Slide the ① top handle onto the NATO rail on the top of the full camera cage. Tighten the ② tie down screw.



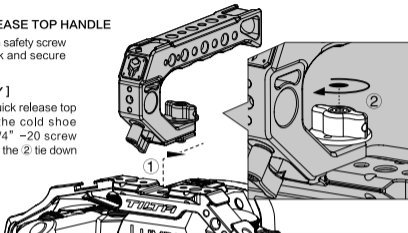
The **A** cold shoe, **B** 1/4" - 20 screw hole, **C** 3/8" - 16 screw hole, and **D** 1/4" - 20 screw hole with locating points on the top allow for more mounting options.

QUICK RELEASE TOP HANDLE

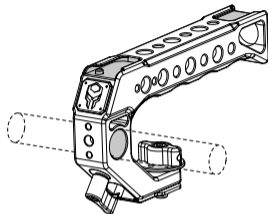
Cold shoe with safety screw provides quick and secure mounting.

[ASSEMBLY]

Slide the ① quick release top handle into the cold shoe mount with 1/4" -20 screw holes. Tighten the ② tie down screw.



< FUNCTIONS >

**Dual Cold Shoe Mounts**

[Supports accessories such as on-board microphones, additional light, on-board monitor, phone holder, etc.]

**15mm Rod Holder**

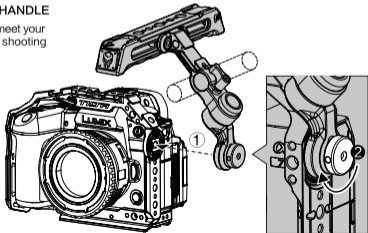
[Supports EVF bracket and other accessories.]

ADJUSTABLE TOP HANDLE

Flexible adjustment to meet your horizontal and vertical shooting needs.

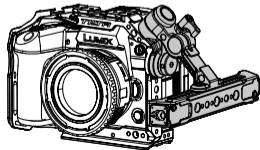
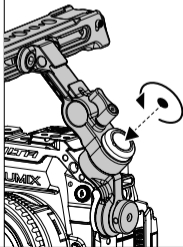
[ASSEMBLY]

Align the ① adjustable top handle with the ARRI standard rosette. Tighten the ② tie down screw.



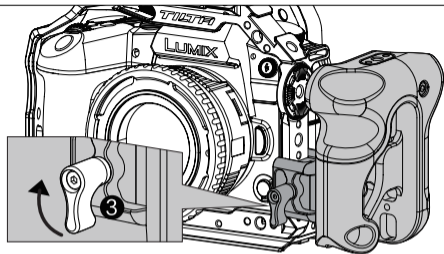
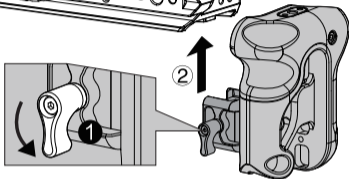
< VERTICAL MODE >

Press the release button to adjust the handle 180° to switch to vertical shooting mode.



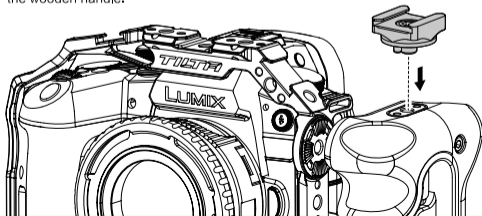
19**INSTALLING WOODEN HANDLE &
COLD SHOE RECEIVER ATTACHMENT**

1. Loosen the tie down on the ① side handle attachment and slide the ② wooden handle onto the NATO rail on the left side of the cage.

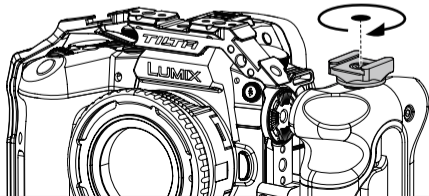


2. Tighten the ③ tie down screw.

3. Align the cold shoe receiver attachment with the 1/4" -20 screw hole on top of the wooden handle.

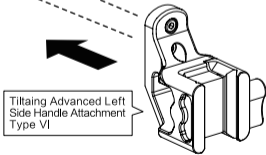
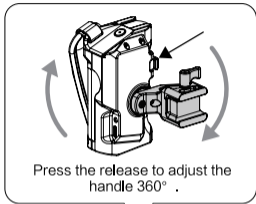
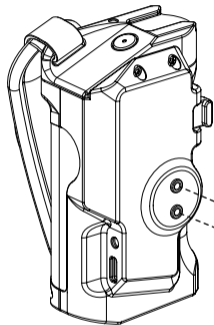


4. Tighten the tie down screw.

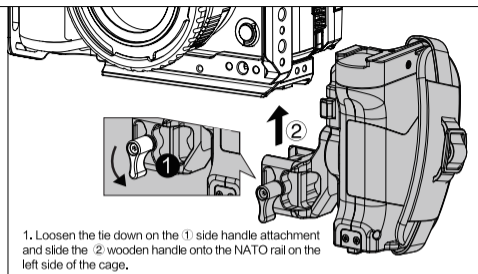


20

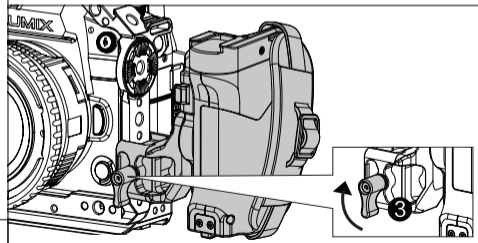
INSTALLING SIDE HANDLE & SIDE HANDLE ATTACHMENT



Tilting Advanced Left Side Handle Attachment Type VI



1. Loosen the tie down on the ① side handle attachment and slide the ② wooden handle onto the NATO rail on the left side of the cage.



2. Tighten the ③ tie down screw.



The focus handle has USB-C 8V and DC 12V outputs. Please check and connect your equipment accordingly. Tilta is not responsible for any user errors.

21

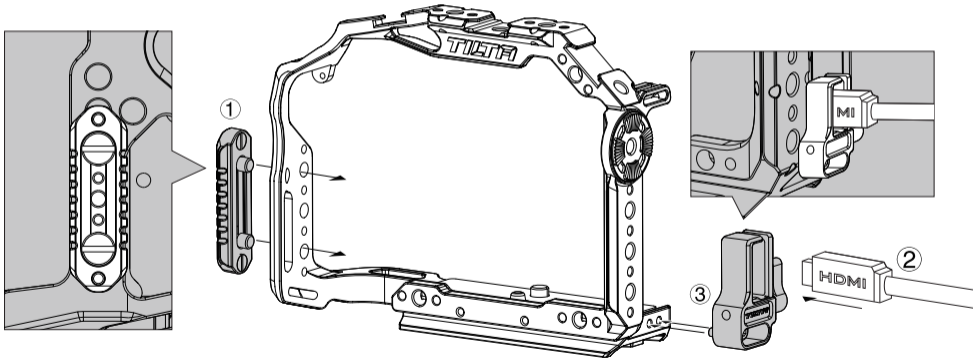
INSTALLING NATO RAIL & HDMI CLAMP ATTACHMENT

1. Install ① NATO rail.

Align the NATO rail with the 1/4" -20 screw holes on the left side. Tighten the tie down screws.

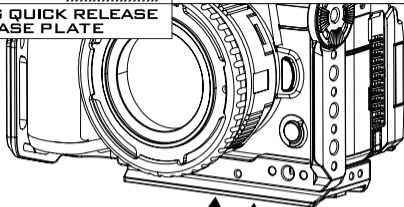
2. Install ③ the HDMI cable clamp.

Secure ② the HDMI cable head to ③ the HDMI cable clamp. Install the HDMI cable clamp to the side of the camera cage via the M3 screws.



22

INSTALLING QUICK RELEASE PLATE & BASE PLATE

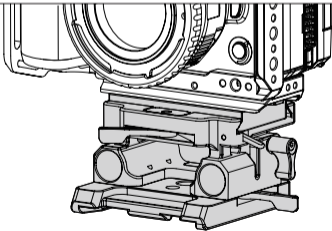
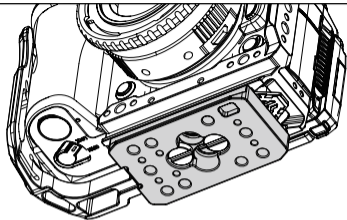
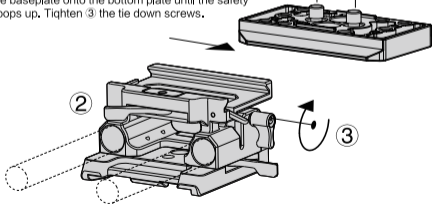


Install ① the GH6 bottom plate.

Align the bottom plate with the 1/4"-20 screw holes on the bottom of the camera cage. Tighten the tie down screws.

Install ② the 15mm LWS Baseplate.

Slide the baseplate onto the bottom plate until the safety toggle pops up. Tighten ③ the tie down screws.



FOR PANASONIC GH6