



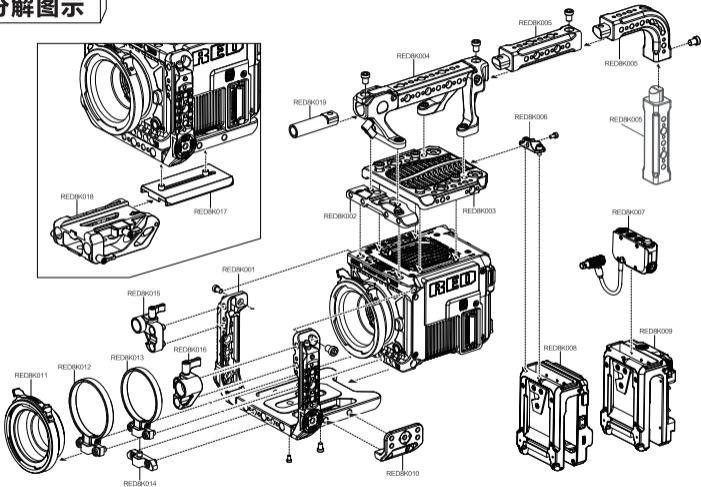
# RED V-RAPTOR 8K

**TILTA**

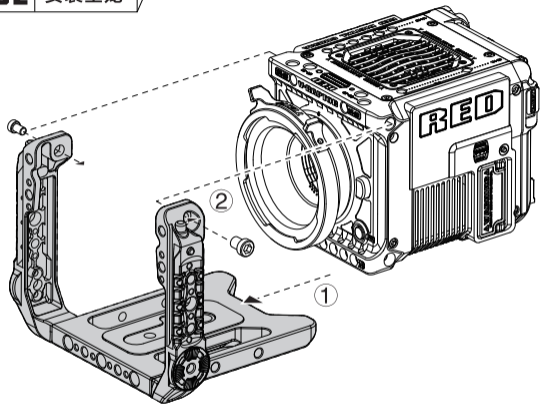
迅猛龙8K摄影机拓展套件

# 01 V-RAPTOR 8K 套件分解图示

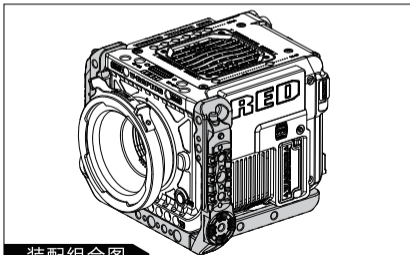
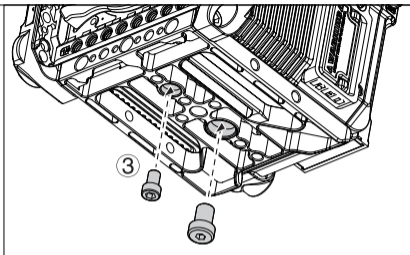
编号	产品名称	产品型号
RED8K001	迅猛龙8K全笼	ESR-T08-FCC
RED8K002	迅猛龙8K前顶板	ESR-T08-FTP
RED8K003	迅猛龙8K顶板	ESR-T08-RTP
RED8K004	迅猛龙8K上手提	ESR-T08-TH
RED8K005	上手提延长接驳件	ESR-T08-THE
RED8K006	供电衔接件	-----
RED8K007	迅猛龙8K I/O模块	ESR-T08-IOM
RED8K008	迅猛龙8K V口供电系统	ESR-T08-BP-V
RED8K009	迅猛龙8K 安东口供电系统	ESR-T08-BP-AB
RED8K010	迅猛龙8K底座附件	ESR-T08-BMP
RED8K011	RF-LPL镜头转接环	TA-RF-LPL
RED8K012	迅猛龙8K卡口紧固件(RF-LPL)	ESR-T08-LPL
RED8K013	迅猛龙8K卡口紧固件(RF-PL)	ESR-T08-PL
RED8K014	迅猛龙8K卡口紧固件加固件	ESR-T08-MS
RED8K015	迅猛龙8K左导轨适配器	ESR-T08-LRH
RED8K016	迅猛龙8K右导轨适配器	ESR-T08-RRH
RED8K017	曼富雷标准快装板	-----
RED8K018	迅猛龙8K底座	ESR-T08-BSP
RED8K019	上手提15mm导轨延长件	-----



## 02 安装全笼



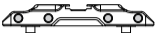
将RED 8K摄影机装进8K全笼里，根据图示②③完成左/右侧臂和底部的机身固定孔的装配。



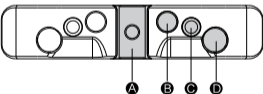
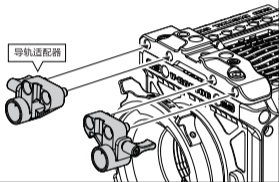
装配组合图

### 03 安装顶板和前顶板

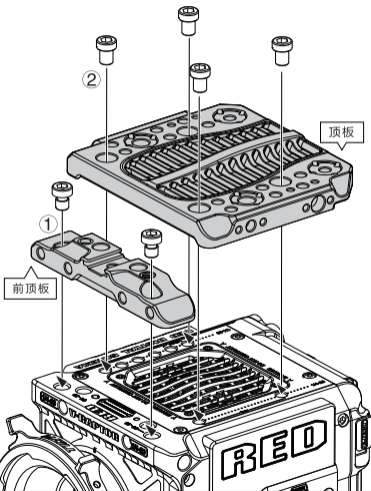
前面预留有4个1/4螺纹孔，  
可装配15mm导管来使用。



导轨适配器



顶部预留有 ❶ 冷靴，❷ 3/8螺纹孔，❸ 1/4螺纹孔和 ❹ 机身固定孔。  
顶板高度与RED原厂推出的录制前顶板高度一致，可相互替换，  
并且可以兼容上手提。

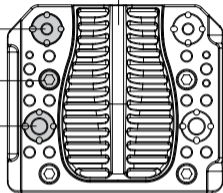


中间的散热孔采用仿生迅猛龙  
脊柱的形态，让套件栩栩如生。

1/4定位孔

机器固定孔

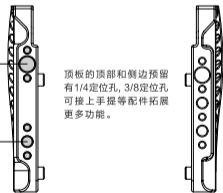
3/8定位孔



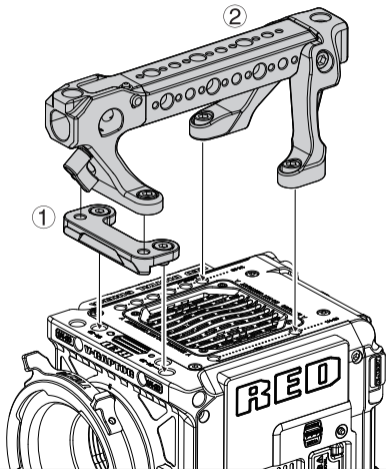
3/8定位孔

1/4定位孔

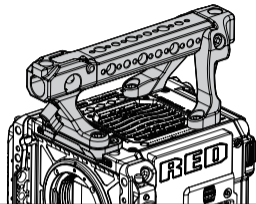
顶板的顶部和侧面预留  
有1/4定位孔，3/8定位孔  
可接上手提等配件拓展  
更多功能。



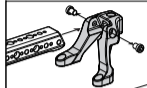
## 04 安装上手提



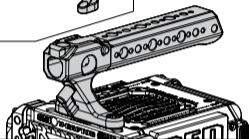
### 装配组合图



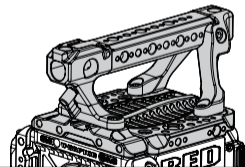
### 可直接锁在机器上



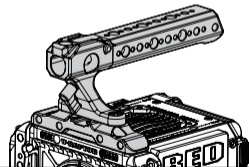
手柄尾部的加固件可组装拆卸。  
当将上手提直接锁在机器上时，  
加固件可拆下。



### 搭配前顶板和顶板一起使用

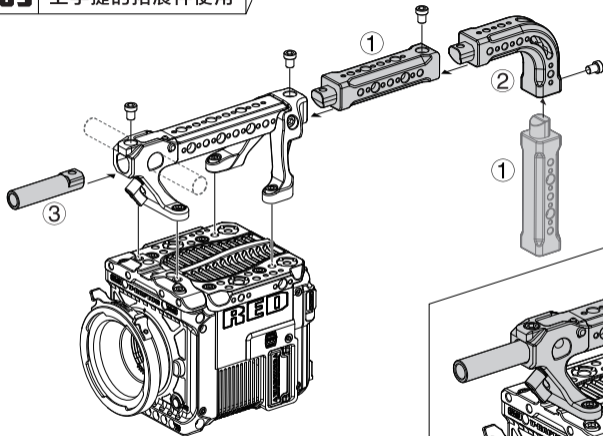


### 搭配前顶板使用



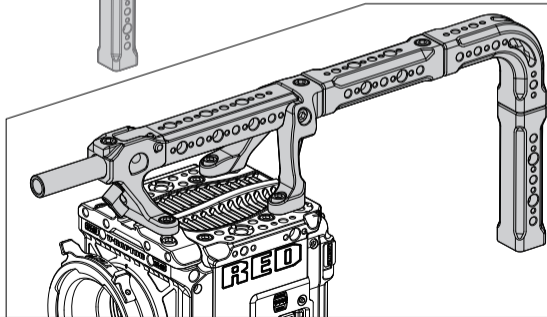
将②迅猛龙上手提安装在机器上时，需搭配①手提转接件一起使用，根据图示完成装配。

## 05 上手提的拓展件使用

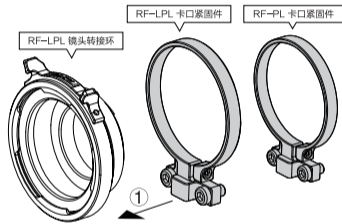


上手提前方可拓展③上手提15mm导轨延长件。  
上手提后方可拓展上手提延长接驳件①号和上②号，  
整体组合成专业弯把手柄，拓展更多功能。根据图  
示完成装配。

 侧面预留15mm导轨适配孔  
[可装配15mm导轨拓展各类支撑附件]

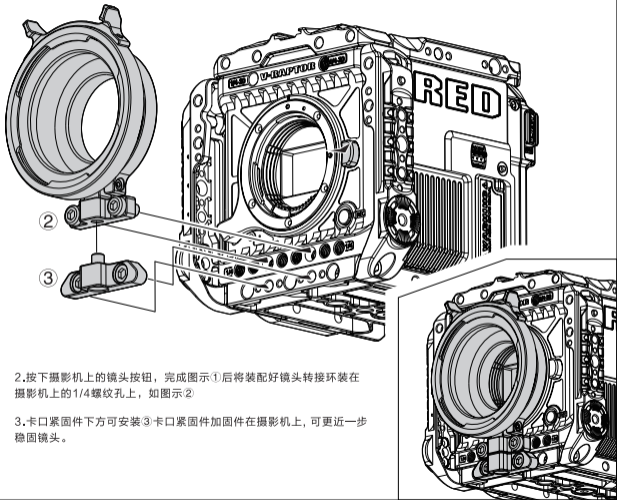


## 06 安装卡口紧固件



1. 先将①RF-LPL卡口紧固件装进RF-LPL镜头转接环中。  
(RF-PL卡口紧固件装进TILTA RF-PL镜头转接环中)

注：使用迅猛龙8K卡口紧固件需搭配TILTA 镜头转接环使用

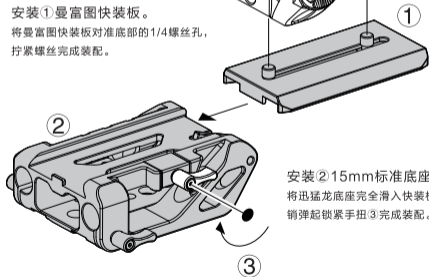


2. 按下摄影机上的镜头按钮，完成图示①后将装配好镜头转接环装在摄影机上的1/4螺纹孔上，如图示②

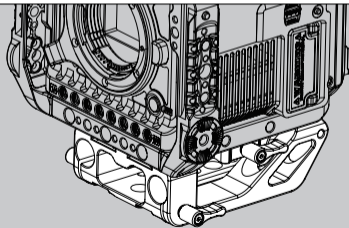
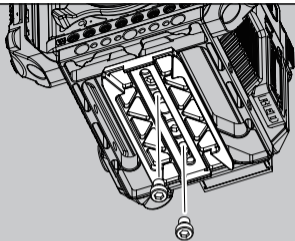
3. 卡口紧固件下方可安装③卡口紧固件加固件在摄影机上，可更进一步稳固镜头。

## 07 安装快装板和底座

安装①曼富图快装板。  
将曼富图快装板对准底部的1/4螺丝孔，  
拧紧螺丝完成装配。



安装②15mm标准底座。  
将迅猛龙底座完全滑入快装板中，待安全  
销弹起锁紧手扭③完成装配。

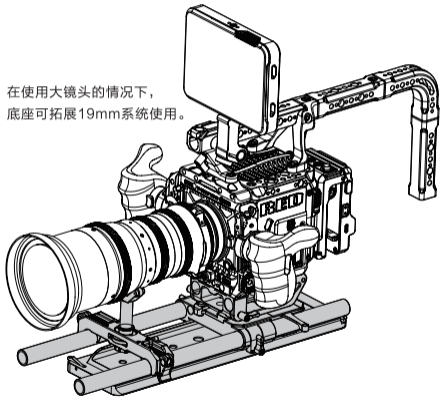


装配组合图



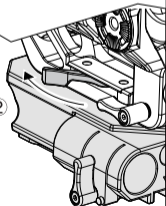
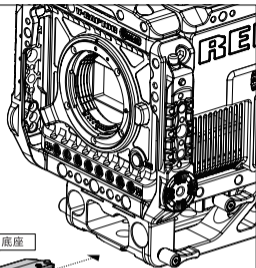
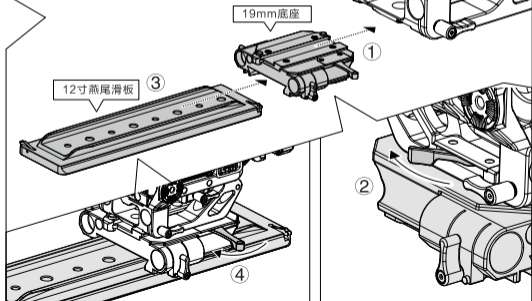
## 08 拓展19mm系统

在使用大镜头的情况下，  
底座可拓展19mm系统使用。

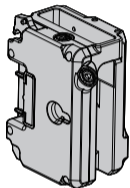


### 装配19mm底座和12寸燕尾滑板

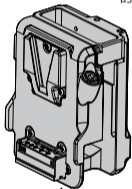
1. 将19mm底座滑入15mm底座的底部燕尾接口上，拧紧手扭锁紧。
2. 将12寸燕尾滑板滑入19mm底座的底部燕尾接口上，拧紧手扭锁紧。



## 09 安装供电系统



安东口供电系统

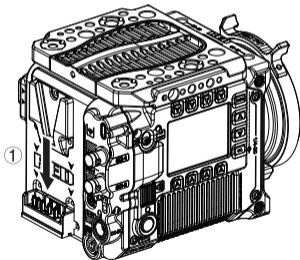


V口供电系统

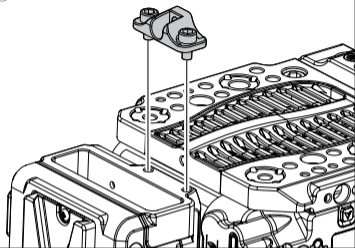
1. 根据图示①，将V口供电系统或安东口供电系统安装在摄影机上；

2. 供电搭配有加固件，根据图示②③锁紧供电衔接件在供电系统和顶板的1/4螺纹孔上，让供电更稳固。

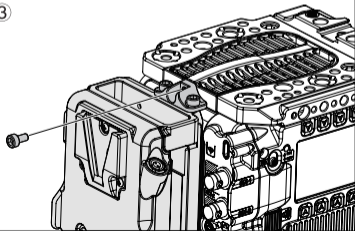
注：装配TILTA供电系统在摄影机上，实现大容量电池的使用。



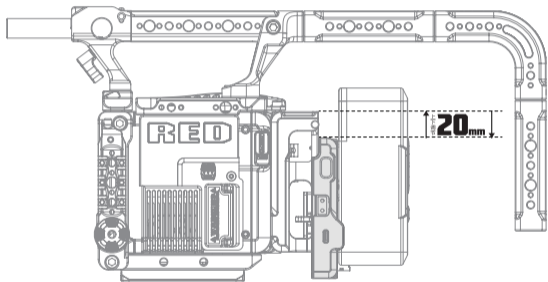
②



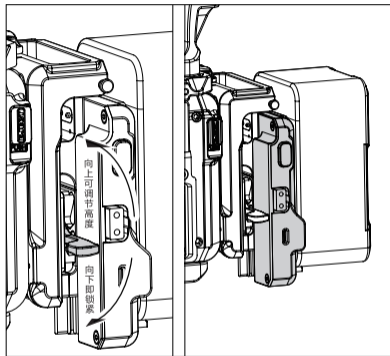
③



## 10 V口供电系统的功能

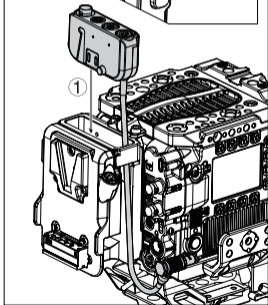


V口供电可以上下调节20mm，来兼容更多的大电池。



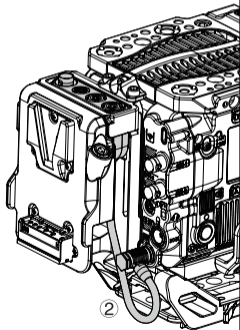
滑动V口供电内的扳钮，向上可调节供电电池的高度，向下可锁紧滑动的距离；灵活使用，便于兼容大电池。

## 11 安装迅猛龙8K I/O模块

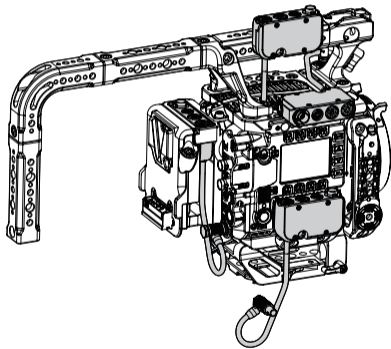


将I/O模块对准供电扣板的触点方位，滑入扣板中心槽位①，再连接好数据线②既可使用。

注：供电扣板可直接给I/O模块进行供电，单独使用时可用侧边0B 2芯Iemo供电。



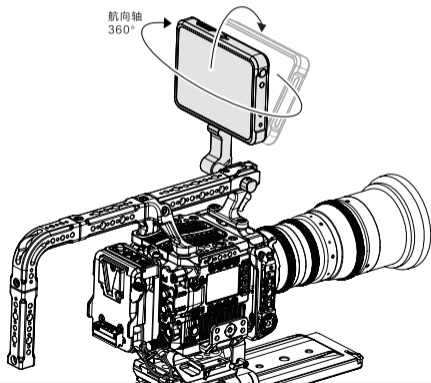
I/O模块通过1/4螺丝，可装到上手提/前顶板/底侧附件等1/4螺丝孔上，可根据需求来装配。



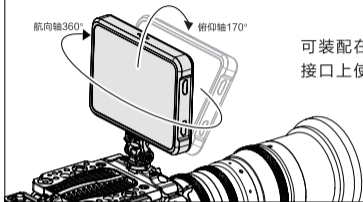
## 12 拓展监视器的使用

### 可装配原装监视器

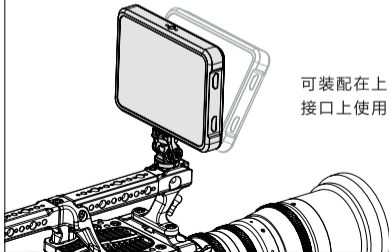
通过上手提15mm导轨延长件可将原装监视器安装在上手提上。



### 监视器搭配监视器云台使用



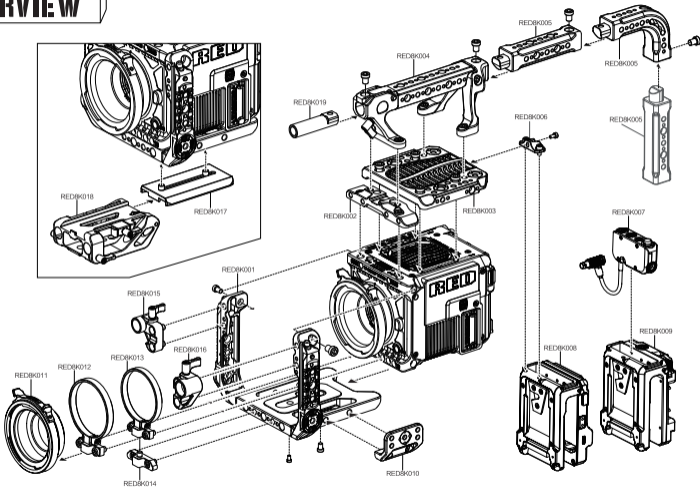
可装配在顶板的冷靴接口上使用。



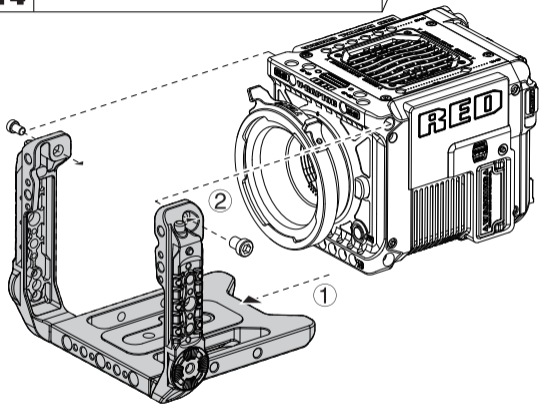
可装配在上手提的冷靴接口上使用。

# 13 V-RAPTOR 8K OVERVIEW

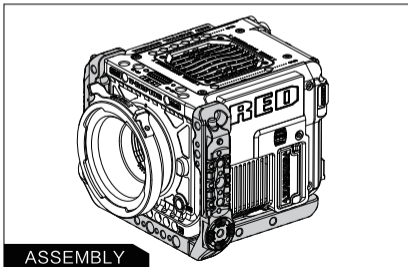
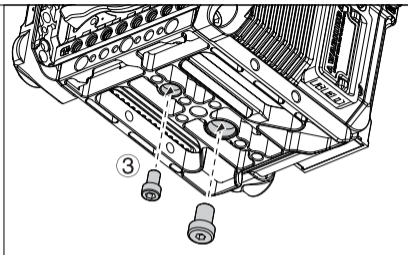
No.	PRODUCT NAME	SKU
RED8K001	Full Camera Cage for RED V-RAPTOR	ESR-T08-FCC
RED8K002	Front Top Plate for RED V-RAPTOR	ESR-T08-FTP
RED8K003	Rear Top Plate for RED V-RAPTOR	ESR-T08-RTP
RED8K004	Top Handle for RED V-RAPTOR	ESR-T08-TH
RED8K005	Top Handle Extension for RED V-RAPTOR	ESR-T08-THE
RED8K006	Battery Plate Security Attachment	---
RED8K007	Advanced I/O Module for RED V-RAPTOR	ESR-T08-IOM
RED8K008	Battery Plate for RED V-RAPTOR - V Mount	ESR-T08-BP-V
RED8K009	Battery Plate for RED V-RAPTOR - Gold Mount	ESR-T08-BP-AB
RED8K010	Bottom Mounting Plate for RED V-RAPTOR	ESR-T08-BMP
RED8K011	Tilting Canon RF Mount to ARRI LPL Mount Adapter	TA-RF-LPL
RED8K012	LPL Mount Adapter Support for RED V-RAPTOR	ESR-T08-LPL
RED8K013	PL Mount Adapter Support for RED V-RAPTOR	ESR-T08-PL
RED8K014	Mount Support for RED V-RAPTOR	ESR-T08-MS
RED8K015	Left Side Single Rod Holder for RED V-RAPTOR	ESR-T08-LRH
RED8K016	Right Side Single Rod Holder for RED V-RAPTOR	ESR-T08-RRH
RED8K017	Manfrotto Quick Release Plate	---
RED8K018	15mm LWS Baseplate for RED V-RAPTOR	ESR-T08-BSP
RED8K019	Top Handle 15mm Rod Extension	---



## 14 INSTALLING FULL CAMERA CAGE



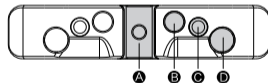
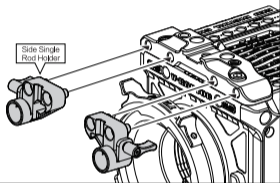
Place the Red 8K camera into the full camera cage. Follow ② and ③ as shown in the picture and tighten the screws on the left side arm, right side arm, and the base.



# 15

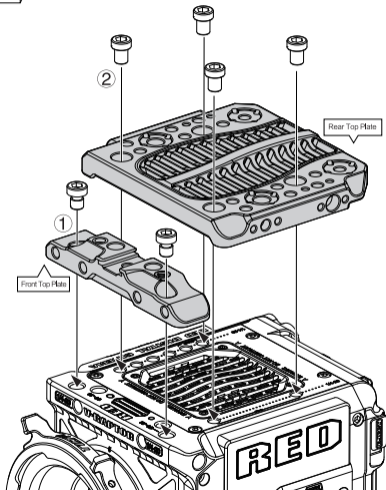
## INSTALLING FRONT AND REAR TOP PLATES

The front has 4 built-in 1/4" -20 screw holes. Ready for mounting 15mm rod holder.



The top of the top front plate has a built-in **A** cold shoe mount, **B** 3/8" -16 screw hole, **C** 1/4" -20 screw hole, and **D** security mounting hole.

The height of the top plate matches the height of the original top plate. They are interchangeable. Both are compatible with the top handle.



Center Ventilation Holes

1/4" -20 Screw Hole with Locating Points

Security Mounting Hole

3/8" -16 Screw Hole with Locating Points

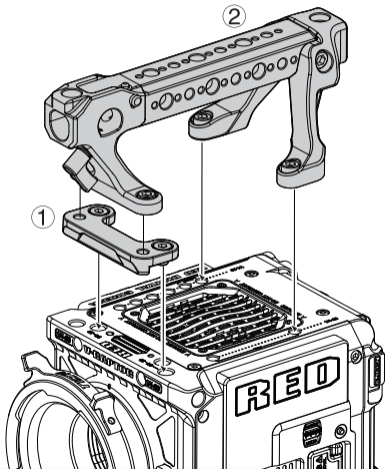
3/8" -16 Screw Hole with Locating Points

1/4" -20 Screw Hole with Locating Points

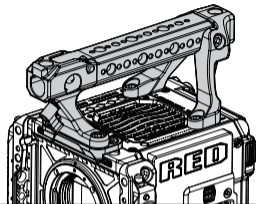
The top plate has built-in 1/4" -20 and 3/8" -16 screw holes with mounting points on both the top and the side. Supports various accessory mounting options, such as a top handle.



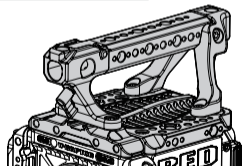
## 16 INSTALLING TOP HANDLE



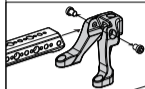
### ASSEMBLY



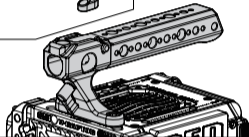
Mounts onto the front top plate and rear top plate.



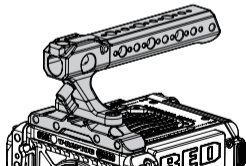
Mounts directly onto the camera body.



The rear fastener attachment is removable. When the top handle is mounted directly onto the camera body, the rear fastener attachment can be removed.

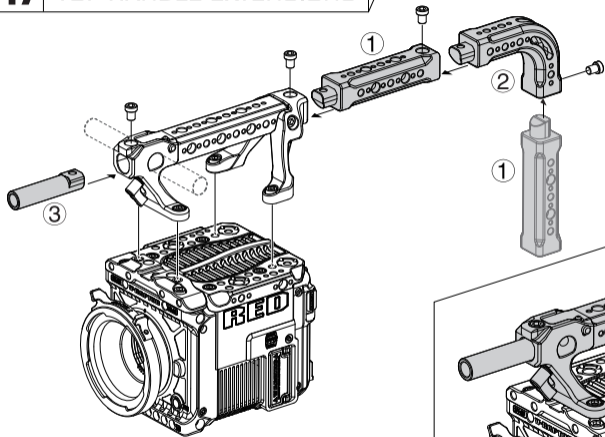


Mounts onto the front top plate.



When installing ② the top handle directly onto the camera body, ① the top handle adapter attachment needs to be installed.

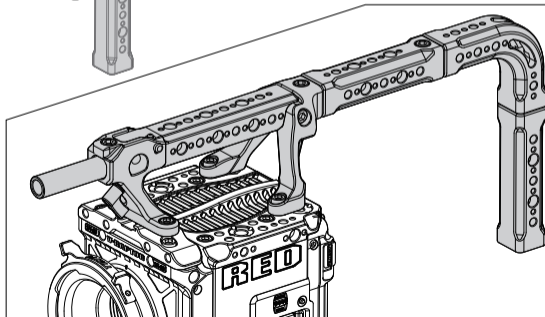
## 17 TOP HANDLE EXTENSIONS



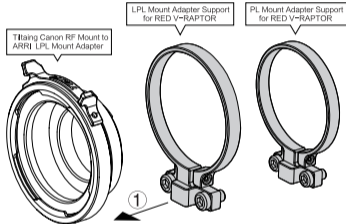
③ the top handle 15mm rod extension can be installed to the front of the top handle.

The top handle extension ① and ② can be installed to the rear of the top handle to form an angled handle. The configuration provides various accessory mounting options.

 The side has built-in 15mm rod holder.  
(For mounting accessories that require a 15mm rod as support.)



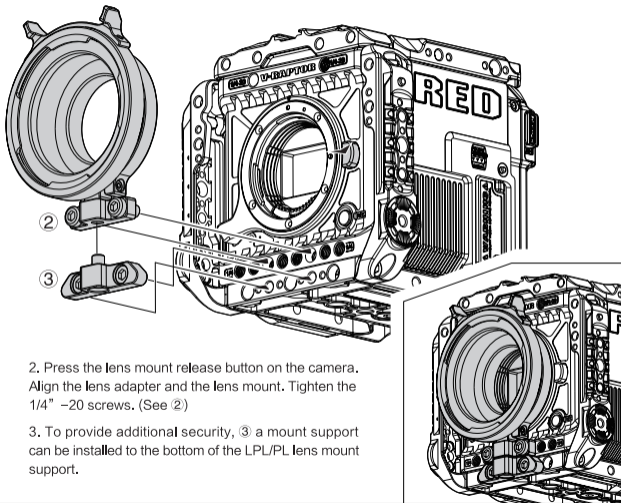
## 18

INSTALLING LENS MOUNT  
ADAPTER SUPPORT

1. Place ① the LPL mount adapter support into the RF mount to LPL mount adapter.

(Place the PL mount adapter support into the RF mount to PL mount adapter.)

**NOTE:** The Tilta lens mount adapter has to be installed when using the LPL/PL mount adapter support.



2. Press the lens mount release button on the camera. Align the lens adapter and the lens mount. Tighten the 1/4" -20 screws. (See ②)

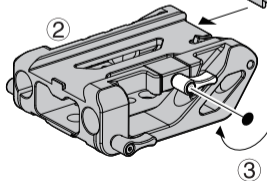
3. To provide additional security, ③ a mount support can be installed to the bottom of the LPL/PL lens mount support.

# 19

## INSTALLING QUICK RELEASE PLATE & BASEPLATE

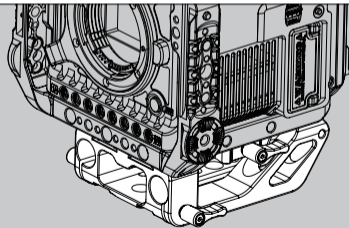
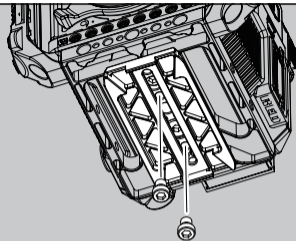
Installing ① Manfrotto quick release plate.

Align the screws on Manfrotto quick release plate with the 1/4" -20 screw holes on the bottom of the camera cage. Tighten the tie down screws.



Installing ② 15mm LWS Baseplate.

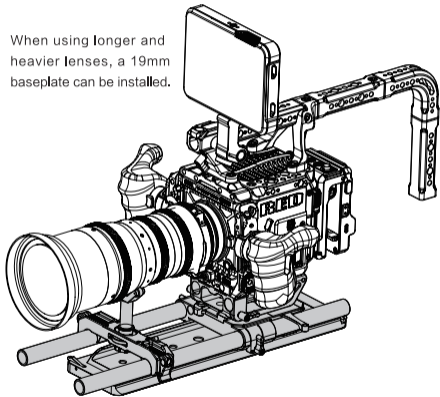
Slide the quick release plate onto the baseplate completely until the safety toggle pops up. Tighten ③ the tie down screw.



ASSEMBLY

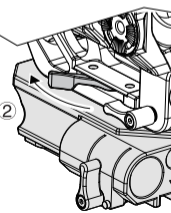
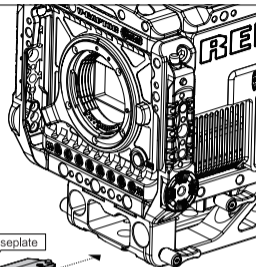
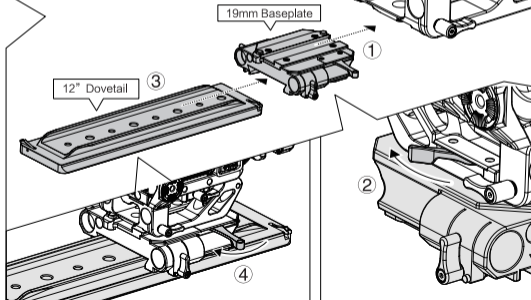
## 20 19MM BASEPLATE

When using longer and heavier lenses, a 19mm baseplate can be installed.



Installing the 19mm baseplate & the 12" dovetail.

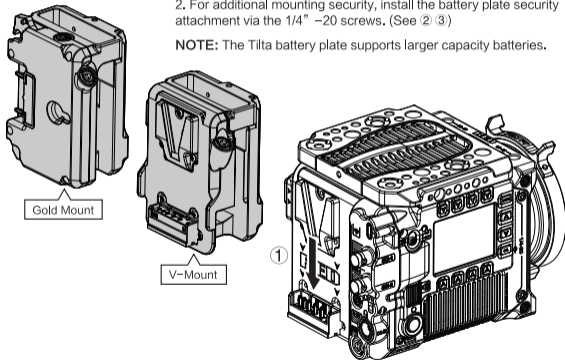
1. Slide the 19mm baseplate onto the 15mm baseplate. Tighten the locking pin.
2. Slide the 12" dovetail onto the 19mm baseplate. Tighten the locking pin.



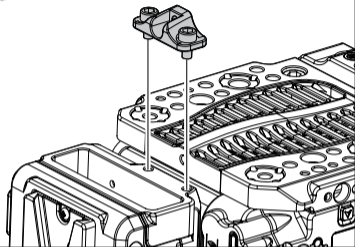
## 21 INSTALLING BATTERY PLATE

1. Slide the V-mount or gold mount battery plate down until it's secure. (See ①)
2. For additional mounting security, install the battery plate security attachment via the 1/4" -20 screws. (See ② ③)

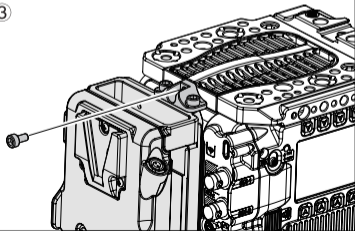
**NOTE:** The Tilta battery plate supports larger capacity batteries.



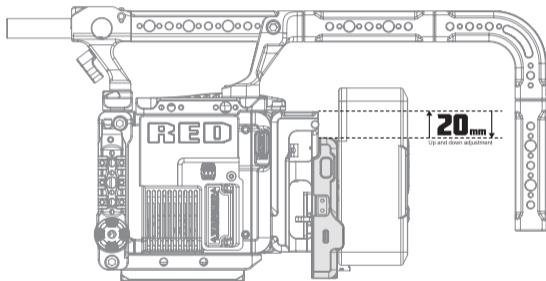
②



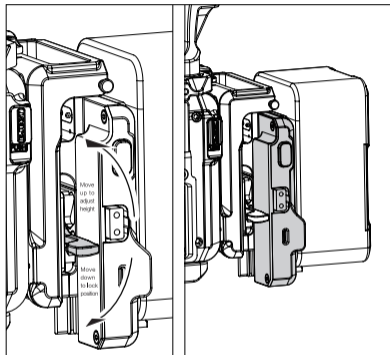
③



## 22 THE V-MOUNT BATTERY PLATE'S FUNCTIONS

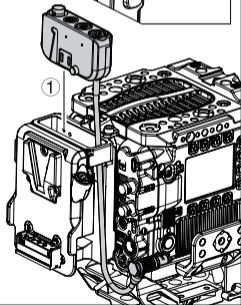
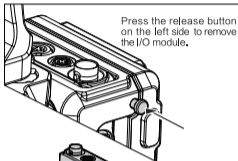


For various battery size options, the V-mount battery plate has an adjustment room of 20mm.



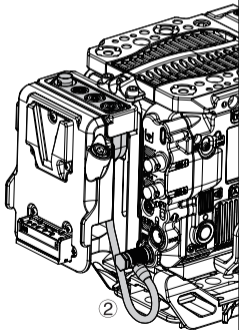
Slide the locking toggle on the side of the V-mount battery plate for adjustment. Move up to release the toggle and adjust the battery's height. Move down to lock the battery's position. This setup allows you to mount larger batteries.

## 23 INSTALLING ADVANCED I/O MODULE

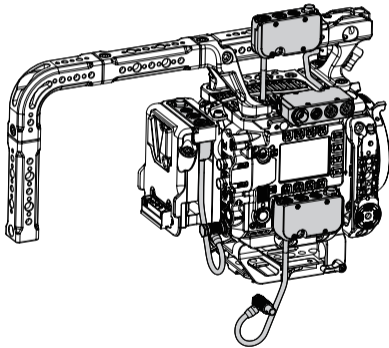


Align the I/O module with the contact point on the battery plate. Slide the module into slot ①. Connect cable ②.

**NOTE:** The battery plate can power the I/O module directly. When used on its own, use the 2-pin LEMO port for power supply.



For different setup needs, install the I/O module to the top handle, front top plate, and bottom mounting plate via the 1/4" -20 screw.



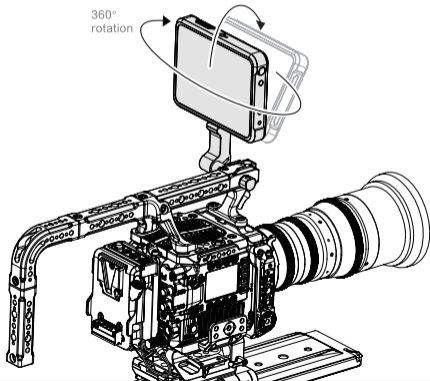


## 24 ON-BOARD MONITOR

### Installing the original monitor

The original monitor can be installed to the top handle via the 15mm rod extension.

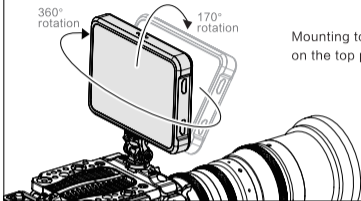
360°  
rotation



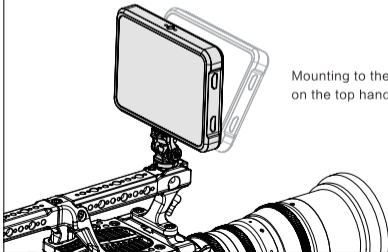
### Monitor and monitor bracket

360°  
rotation

170°  
rotation



Mounting to the cold shoe mount  
on the top plate.



Mounting to the cold shoe mount  
on the top handle.

