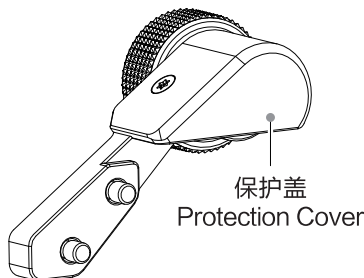
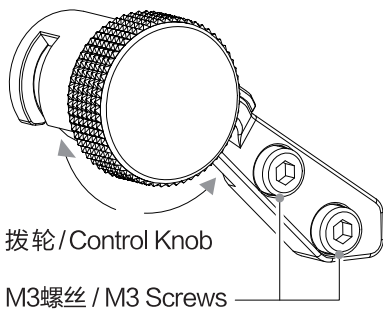


ADVANCED CONTROL KNOB

TILTA

FOR TILTA MIRAGE



使用ND机械拨轮 / USING ADVANCED CONTROL KNOB

ND机械拨轮安装在95mm可变ND滤镜组或95mmCPL偏振滤镜的M3螺纹孔上。可在保护滤镜组齿轮的基础上，还可用手动拨动拨轮来调节ND值，达到手动控光。

The advanced control knob is compatible with the 95mm variable ND and 95mm polarizer filter for Tilta Mirage. Install the advanced control knob to the M3 screw holes on the filter. This will allow for manual control of ND adjustment while protecting the gear on the filter.

