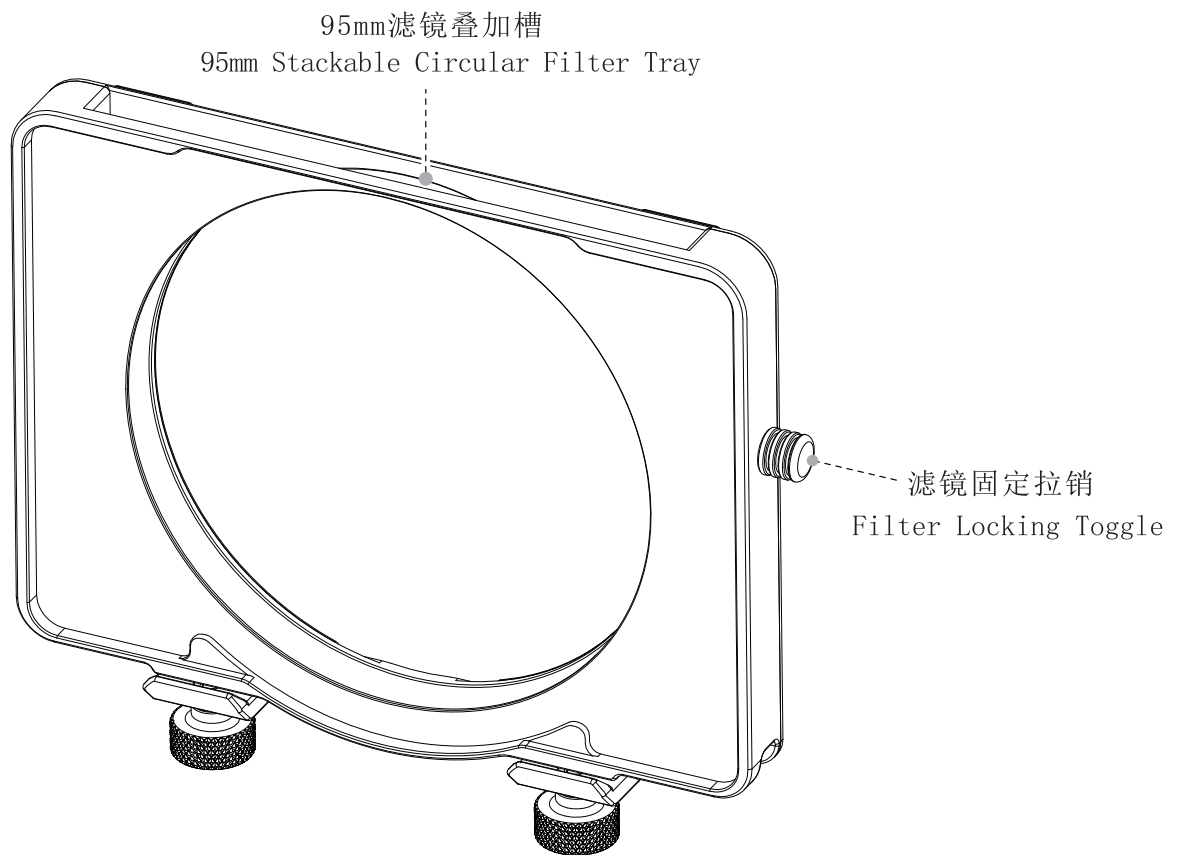


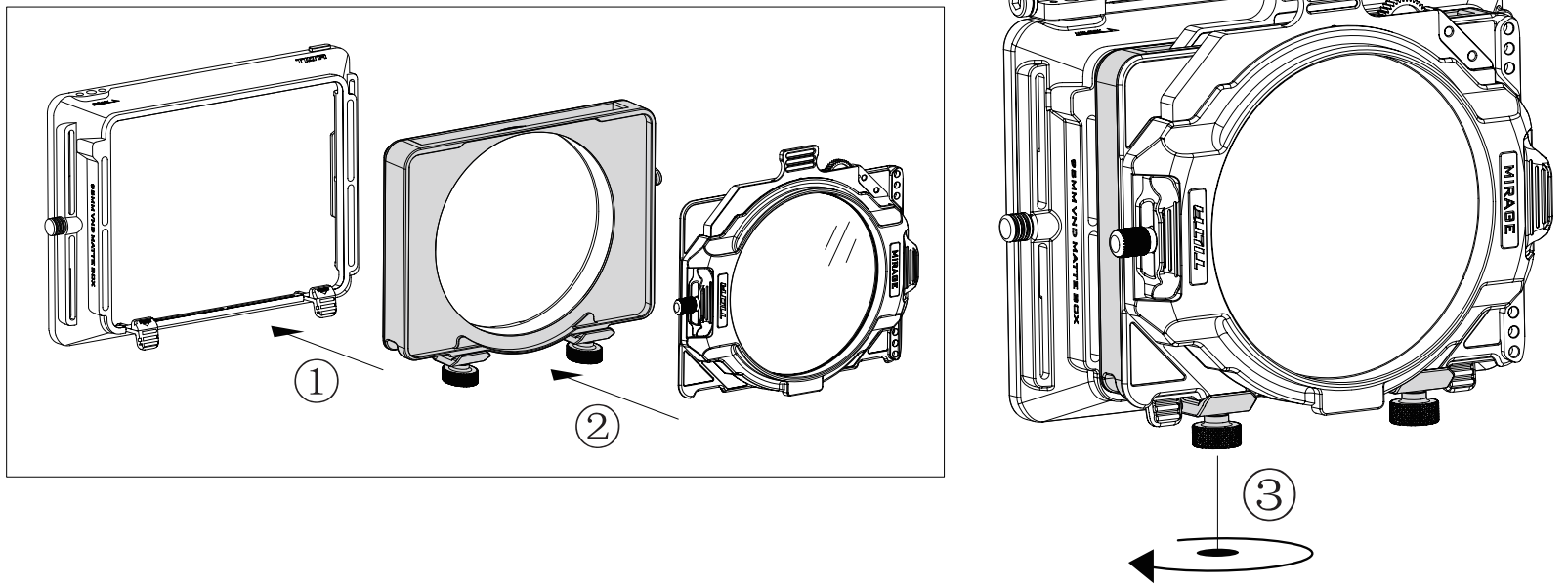
95MM STACKABLE CIRCULAR TILTA FILTER TRAY FOR TILTA MIRAGE



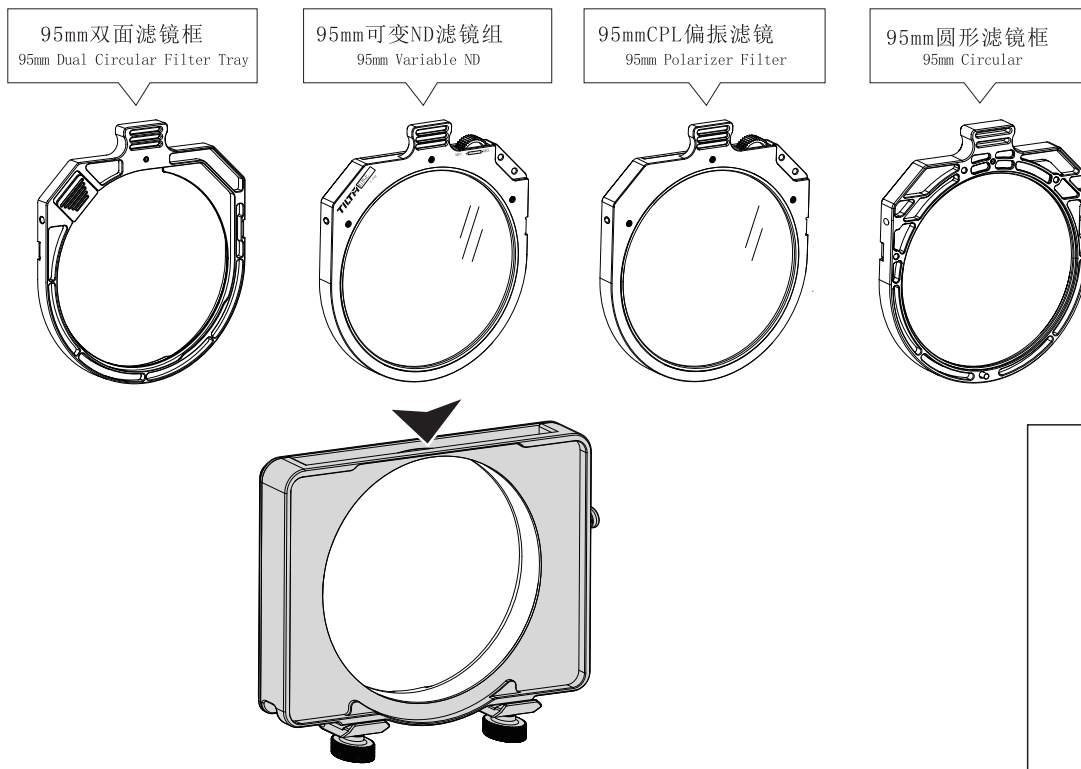
安装95mm滤镜叠加配件 / INSTALLING THE 95MM STACKABLE CIRCULAR FILTER TRAY

将95mm滤镜叠加配件①安装在塑胶罩体上，再装上②VND载体，拧紧叠加配件的旋钮螺丝③完成装配。

Mount 95mm stackable circular filter tray to ① the matte box body, then attach ② the variable ND. Tighten ③ the tie down screws.



使用说明 / Instructions



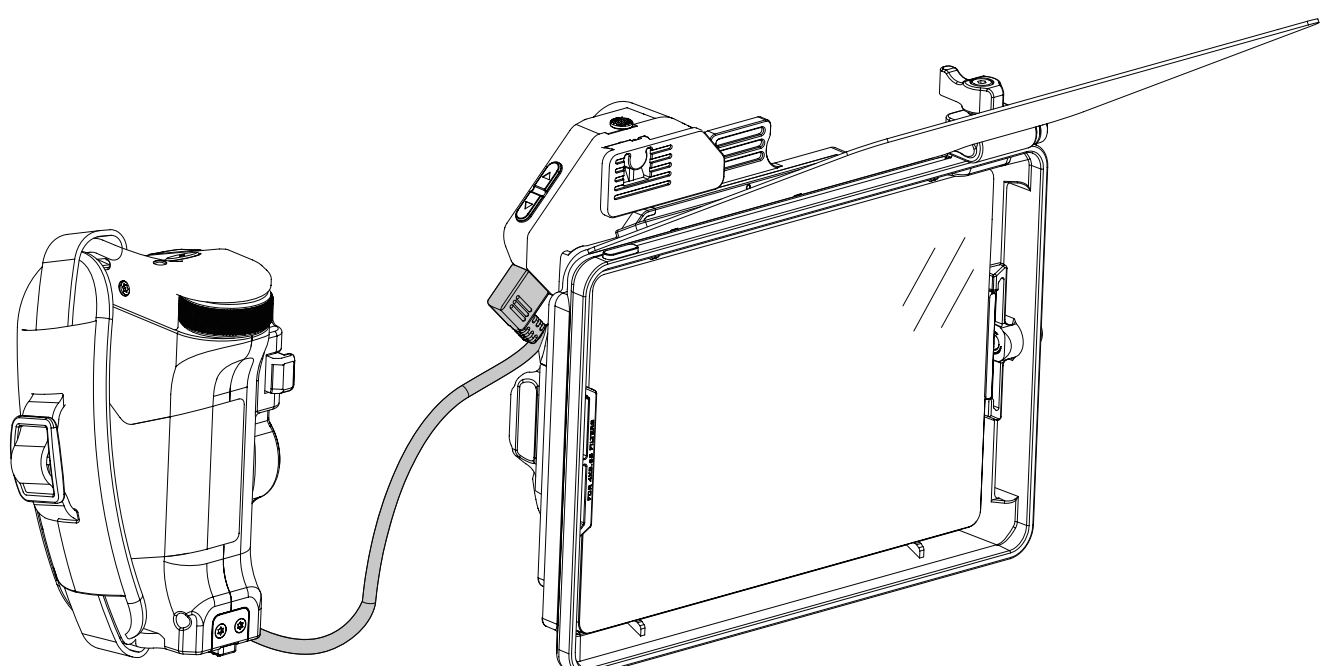
95mm滤镜叠加配件可装配以上几种相关配件，便于拓展更多功能，装配完拧紧旋钮即可。

The 95mm stackable circular filter tray is compatible with multiple accessories made for the Tilta Mirage matte box. For mounting security, please make sure to tighten the tie down screws after installing each accessory.

Type-c接口外接供电 / USB-C External Power Supply Port

在使用95mm滤镜叠加配件时，需要使用马达的Type-c接口进行外接供电，来控制马达。
When paired with the advanced power handle, please use the USB-C port on the motor to provide power.

注意：马达的Type-c接口可插入Type-c转Type-c接口供电线或Type-c转USB接口供电线，可根据需求选择供电设备（电压5-8.4V）。
NOTE: The motor can be powered by USB-C to USB-C power cable, or USB-C to micro USB cable. Please choose accordingly. (5-8.4V)



TILTA 跟焦录制供电手柄
Tilta Advanced Power Handle