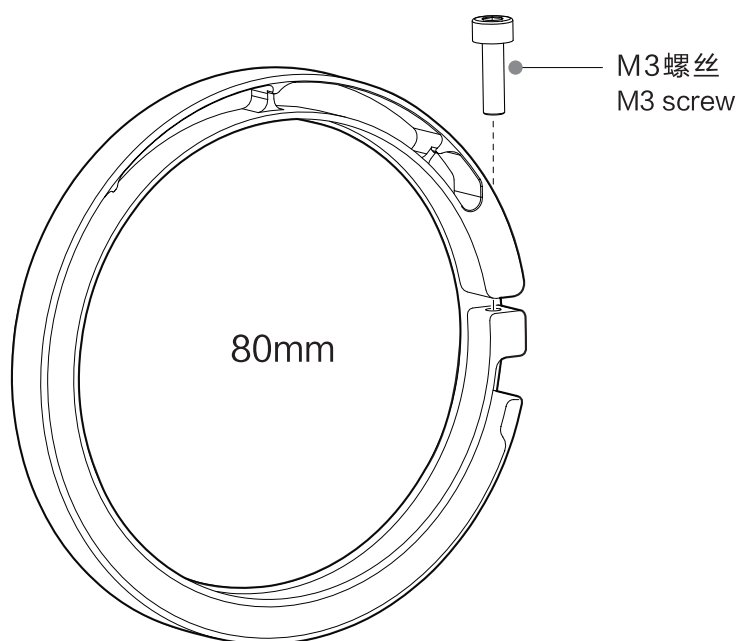


80MM CINEMA ADAPTER RING

TILTA FOR TILTA MIRAGE



安装80mm无螺纹镜头接圈/INSTALLING 80MM CINEMA ADAPTER RING FOR TILTA MIRAGE

(1)先将80mm无螺纹接圈①装配到口径为80mm的镜头上，拧紧M3螺丝②完成。

Mount ① the 80mm adapter ring to any lens with an 80mm outside diameter. Tighten ② the M3 screw.

(2)装配好螺纹接圈和镜头后，将其安装到③遮光斗上并锁紧旋钮④在完成装配。

Mount the lens with the adapter ring attached to ③ the matte box and tighten ④ the tie down screw.

