

# NUCLEUS NANO MOTOR ADAPTER

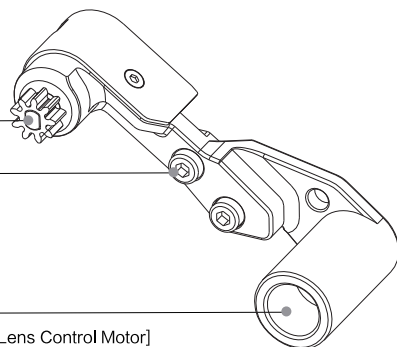
## TILTA FOR TILTA MIRAGE

M4 齿轮 / M4 Gear

M3 螺丝 / M3 Screw

15mm 导轨 / 15mm Rod

[装配原力N马达 / For mounting Nucleus Nano Lens Control Motor]



### 安装原力N电机适配器/INSTALLING NUCLEUS NANO MOTOR ADAPTER FOR TILTA MIRAGE

将原力N电机适配器装配在95mm可变ND滤镜组右上角的两个M3螺丝孔位处，确保适配件的齿轮传动顺畅，再将②原力N马达安装在转接件上，并把齿轮衔接上确保可以传动。

Align the two M3 screws on the Nucleus Nano motor adapter with the M3 screw holes on the 95mm variable ND. Make sure the gear can rotate smoothly. Mount ② the Nucleus Nano motor onto the motor adapter, align the gears and make sure they can rotate smoothly.

