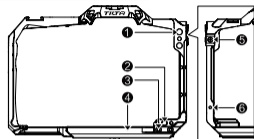


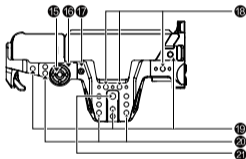
BMPCC *TILTA*
6K PRO

BMPCC 6K PRO 摄影机拓展套件

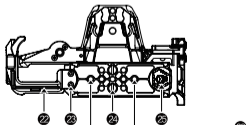


<正面>

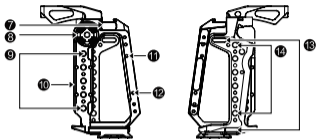
<背面>



<顶部>



<底部>

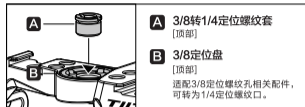


<左侧臂>

<右侧臂>

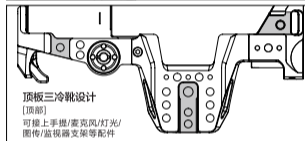
- ① 1/4定位螺纹孔
[可接15mm导管适配器及配件]
- ② 1/4定位螺纹孔
[可接15mm导管适配器及配件
亦可作为安装原装电池手柄的
桥接件接口]
- ③ M3螺纹孔
[可拆卸安装原装电池]
- ④ 38mm标准网卡接口
- ⑤ 线夹
- ⑥ 线夹固定孔
- ⑦ 肩带接口
- ⑧ 预留牙盘接口
[适配标准ARRI牙盘]
- ⑨ 1/4定位螺纹孔
[可接1/4定位孔手柄转接件等]
- ⑩ NATO滑条
- ⑪ (TILTA)HDMI转头固定孔
- ⑫ (TILTA)TYPE-C线固定孔
- ⑬ 腕带接口
- ⑭ 1/4定位螺纹孔
[可接1/4定位孔手柄转接件/
NATO滑条等]
- ⑮ 3/8转1/4定位螺纹套
- ⑯ 3/8定位盘 可转为1/4定位螺纹口
- ⑰ M3螺纹孔
[可拆卸为半笼]
- ⑱ 1/4定位螺纹孔
[可安装辅助配件]
- ⑲ 1/4冷靴接口
[可接麦克风/灯光/图传/
监视器支架等配件]
- ⑳ 1/4螺纹孔
- ㉑ 机身固定孔(顶部)
- ㉒ 2mmL型六角螺丝扳手
[可磁吸射于底部的拆卸工具]
- ㉓ M3螺纹孔
[可拆卸为半笼]
- ㉔ 机身固定孔(底部)
- ㉕ 一字螺丝扳手
[可磁吸射于底部的拆卸工具,
同时可替换成硬币]
- ㉖ 1/4螺纹孔

全笼细节展示 >>



A 3/8转1/4定位螺纹套
[顶部]

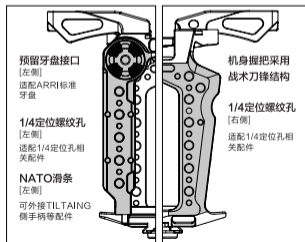
B 3/8定位盘
[顶部]
适配3/8定位螺纹孔相关配件,
可转为1/4定位螺纹口。



顶板三冷靴设计

[顶部]

可接上手提/麦克风/灯光/
图传/监视器支架等配件



预留牙盘接口

[左侧]

适配ARRI标准
牙盘

1/4定位螺纹孔

[左侧]

适配1/4定位孔相
关配件

NATO滑条

[左侧]

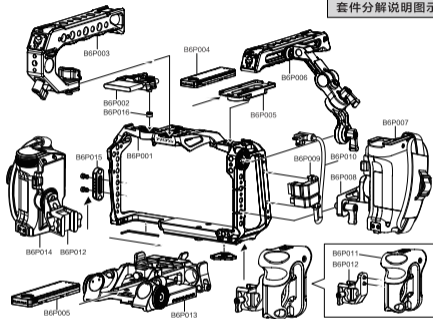
可外接TILTAING
侧手柄等配件

**机身握把采用
战术刀锋结构**

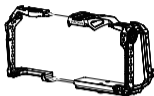
1/4定位螺纹孔
[右侧]

适配1/4定位孔相
关配件

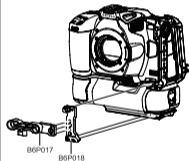
套件分解说明图示



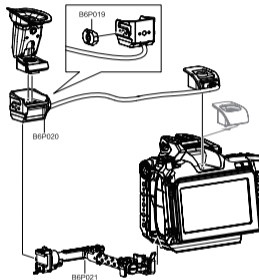
全笼切换为半笼



适配原厂电池手柄



延长EVF设计

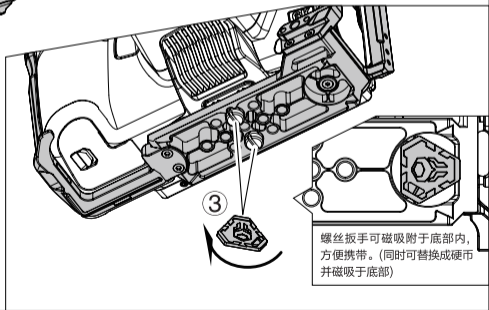
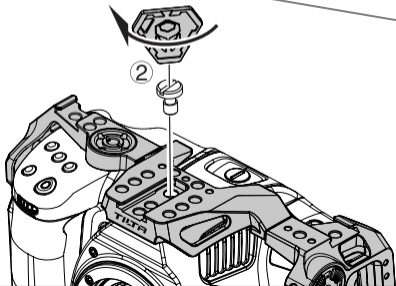
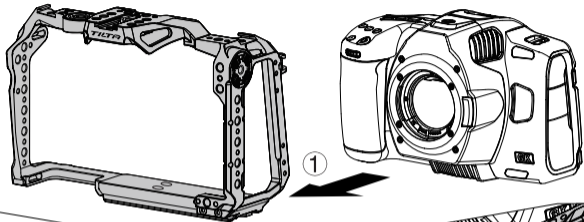


| | | | | | | | | |
|--------|----------------|----------------|--------|----------------------|----------------|--------|---------------------|-----------------|
| B6P001 | BMPCC 6K PRO全笼 | TA-T11-FCC-B | B6P008 | 1/4定位孔手柄转接件 | TA-AHA7-LR-B | B6P015 | NATO滑条长款36mm | TA-NRA-36-B |
| B6P002 | T7 硬盘支架 | TA-SSDH-T7 | B6P009 | (TILTA) 90度HDMI转接口 | TA-T01-HDA-90 | B6P016 | 3/8转1/4定位螺纹套 | TA-1420-3816-HA |
| B6P003 | TILTAING上手提 | TA-QRTH-B | B6P010 | (TILTA) 90度TYPE-C数据线 | CB-USBC-30 | B6P017 | 管夹持件 | TA-T11-RH-B |
| B6P004 | 固态硬盘盒 | TA-T01-DM-SSD2 | B6P011 | 木质手柄 | TA-LWH-B | B6P018 | 电池手柄桥接件 | ----- |
| B6P005 | 硬盘座支架 | TA-SSDH-NVSA-B | B6P012 | 手柄NATO延长件-左(右) | TA-AHA6-L(R)-B | B6P019 | NATO滑条 | TA-1420-NTR4 |
| B6P006 | 旋钮上手提 | TA-QRTH6-B | B6P013 | 15mm标准底座(阿卡标准) | TA-BSP6-15-B | B6P020 | BMPCC 6K PRO EVF连接器 | TA-T11-EEC |
| B6P007 | 录制手柄-左 | TA-LRH-57-B | B6P014 | 跟焦录制手柄-右 | TA-RFH-57-B | B6P021 | EVF延长支架 | TA-EEB-B |

03

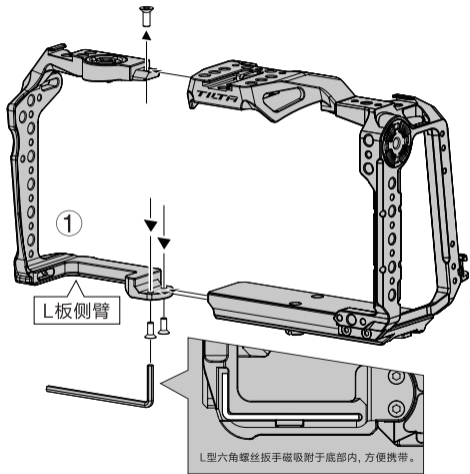
安装全笼

- 1 将摄影机装入①BMPCC 6K PRO全笼。
- 2 取出②一字扳手，将螺丝锁进笼子顶部和底部的机身固定孔上，完成装配。



04

拆卸式设计 全笼可切换为半笼

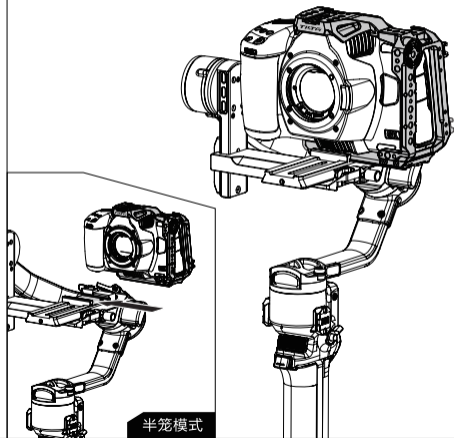
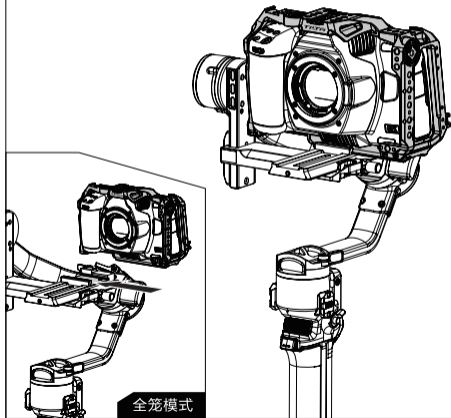


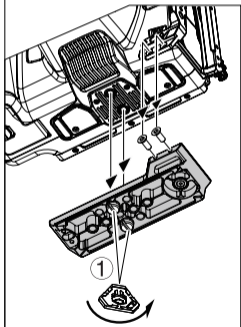
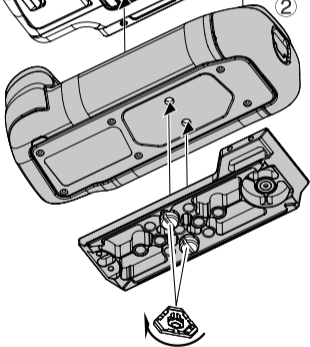
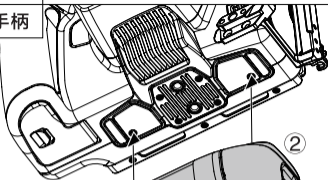
1 全笼状态下可拆卸①L板侧臂, 将全笼切换为半笼。

2 将摄影机装入②半笼, 安装方式与全笼一致。

▶ 阿卡燕尾滑条

笼子底部设有阿卡燕尾滑条，可轻松快速安装上稳定器/脚架等。

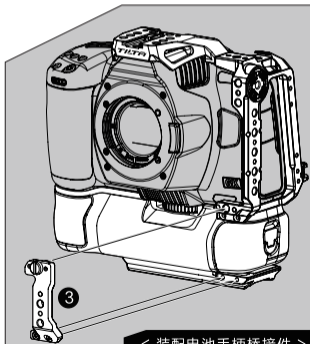


06**半笼模式 适配原厂电池手柄**

< 拆卸底板 >

安装②原厂电池手柄, 通过③电池手柄桥接件
稳固电池手柄。

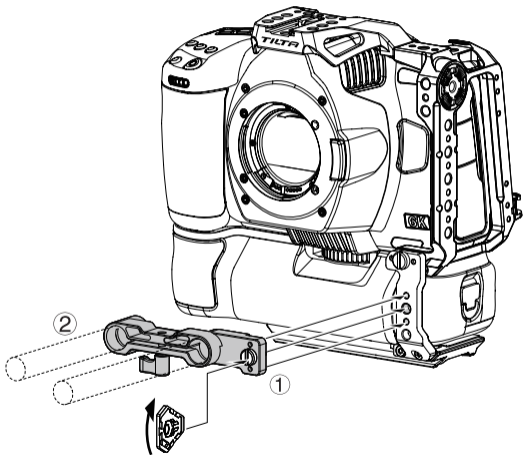
如图①所示, 半笼模式下拆卸底板。其次将电池手柄装
配在摄影机底部上, 最后如图③所示, 安装电池手柄桥
接件起固定作用, 完成装配。



< 装配电池手柄桥接件 >

07

装配原厂电池手柄后 拓展15mm标准导管系统

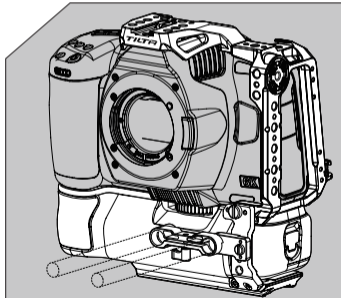


1 安装①BMPCC 6K PRO圆管夹持件。

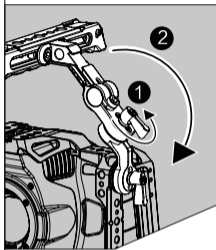
通过1/4定位螺紋孔將圓管夾持件鎖緊在電池手柄橋接件上完成裝配。

2 拓展②15mm导管。

安裝原管夾持件可便於裝配15mm导管，拓展跟焦功能。



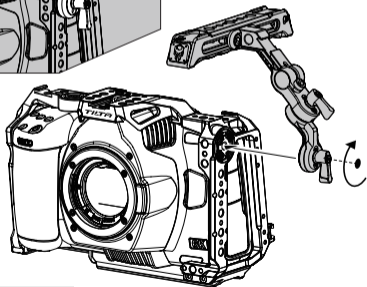
< 装配组合图 >

**1** 安装旋钮上手提。

将旋钮上手提对准笼子预留的牙盘接口，拧紧手钮螺丝完成装配。

2 切换横竖拍模式

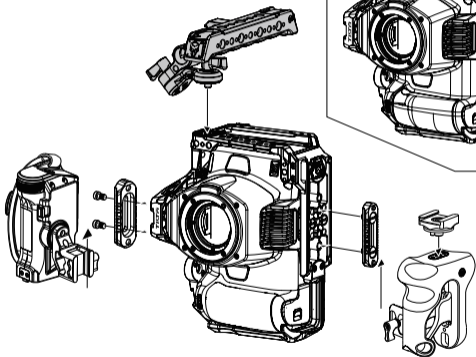
松动①旋钮任意旋转180度，可调整②手提方位，轻松实现横/竖拍切换，完成拍摄。



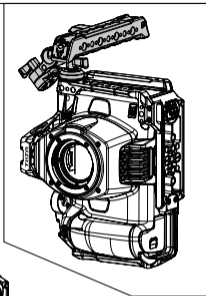
全笼-横拍模式

3 全笼在竖拍模式下的两侧可做侧臂使用。

(可搭配NATO滑条或侧手柄等拓展配件)



全笼-竖拍模式





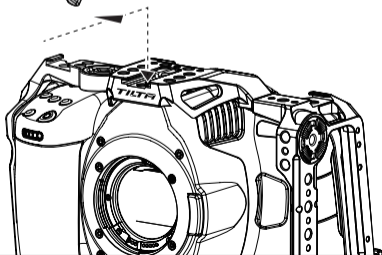
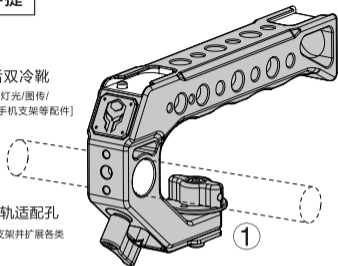
手提前后双冷靴

[可接麦克风/灯光/图传/
监视器支架/手机支架等配件]

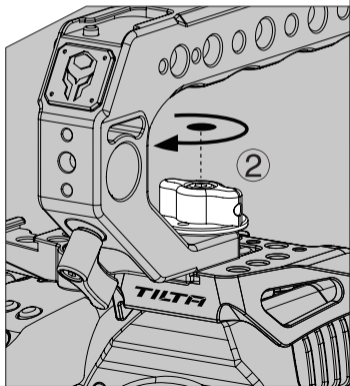


15mm导轨适配孔

[可装载EVF支架并扩展各类
支撑附件]

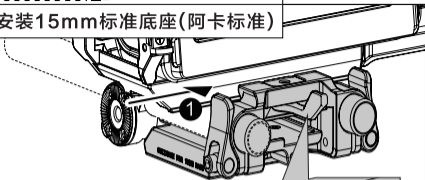


将①上手提对应滑入笼子顶部的冷靴口中，并转动②旋钮锁紧螺丝完成装配。

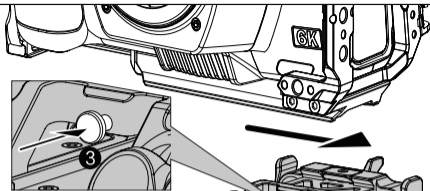
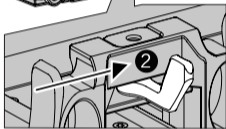


10

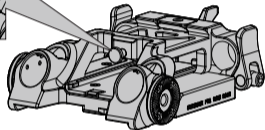
安装15mm标准底座(阿卡标准)



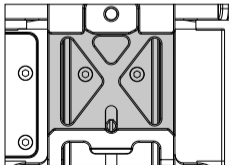
- 1** 将①底座滑入笼子后, 待安全销弹起拧紧②扳手, 将底座锁紧在笼子上。



- 2** 按压③防掉安全销, 即可将底座从笼子上滑开。



底座细节展示 ///



阿卡滑槽 [顶面]

无需装配快装板, 可直接装配上带阿卡滑条的免笼上, 轻松装配。

/// 底座细节展示



预留牙盘接口 [左右侧]

可适配ARRI标准牙盘相关配件, 轻松装配。

11

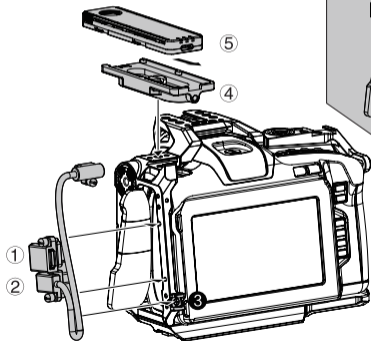
弯角线材转换设计 / 安装铁头M2.0硬盘盒(选配)

1 安装(TILTA)90度弯角HDMI转接口 / ②(TILTA)90度弯角Type-C数据线。

将①和②对应装到笼子相应的螺纹孔上,并将数据线固定在③线夹上。
[全笼标配一个线夹,可自由选择装配在笼子背面的线夹固定孔上。]

2 安装④硬盘支架 / ⑤固态硬盘盒。

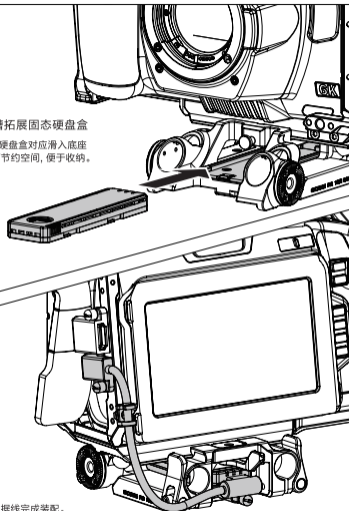
将④硬盘支架通过1/4定位螺纹孔固定在笼子上,再将⑤固态硬盘盒滑入硬盘支架中,对应装好数据线完成装配。



< 装配组合图 >

3 底座凹槽拓展固态硬盘盒

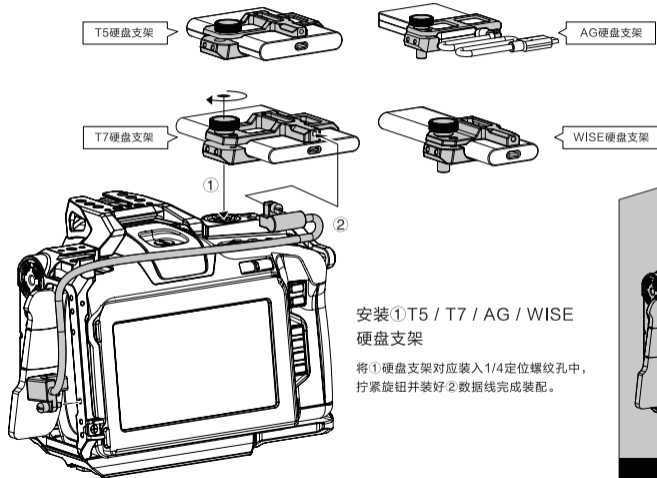
(1)将固态硬盘盒对应滑入底座凹槽中,可节约空间,便于收纳。



(2)连接好数据线完成装配。

12

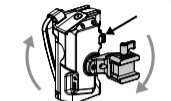
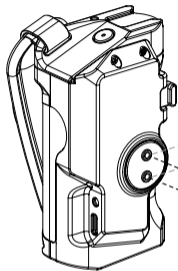
安装硬盘支架(选配)



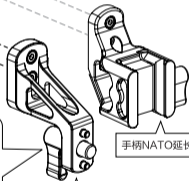
< 装配组合图 >

13

安装手柄/手柄转接件

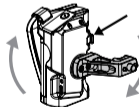


按压按钮后手柄可360°调节角度



手柄NATO延长件

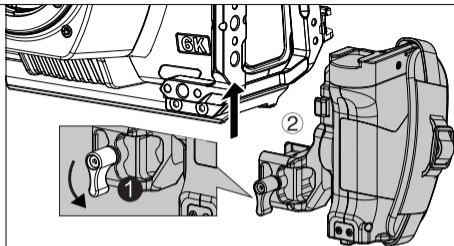
1/4定位孔手柄转接件



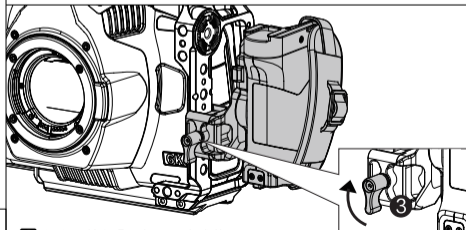
按压按钮后手柄可360°调节角度



录制手柄是稳定 Type-c 8V、DC OUT 12V常规输出接口，外接设备请按照设备额定电压操作,如因不规范操作造成设备损坏，自行承担。



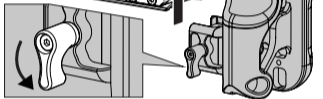
1 先松开①Nato滑条延长件手扭，将②手柄完全滑入右侧滑条。



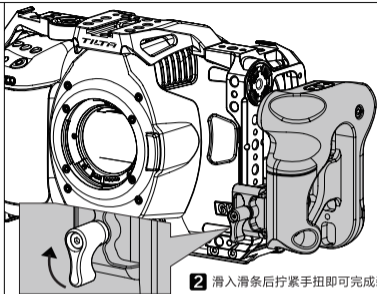
2 滑入后拧紧③手扭即可完成装配。

14**安装木质手柄和冷靴****1**

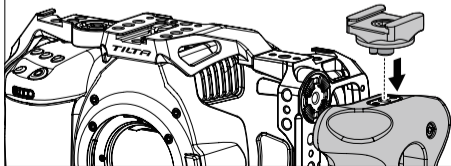
先松开Nato滑条延长件手扭，将手柄完全滑入右侧滑条。

**2**

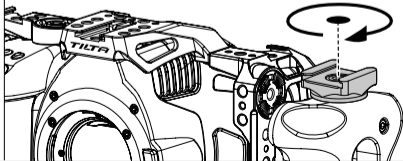
滑入滑条后拧紧手扭即可完成装配。

**3**

将冷靴对应木质手柄顶部的1/4定位螺纹孔。

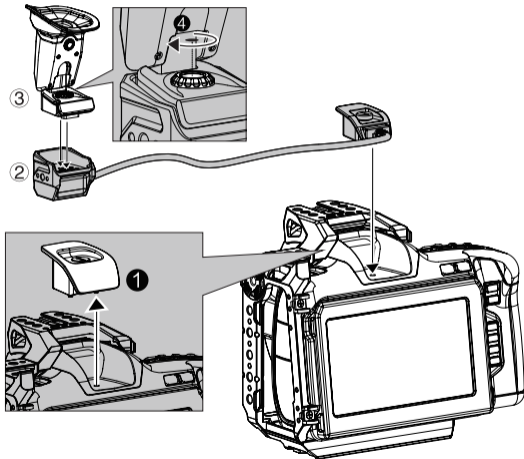
**4**

对应后拧紧螺丝即可完成装配。



15

安装EVF寻像器延长件 全新专利技术

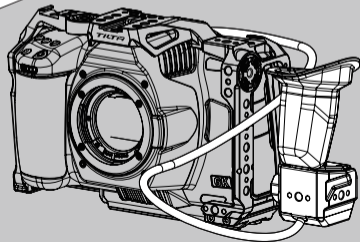
**1** 安装EVF寻像器延长件(线长300mm/600mm)

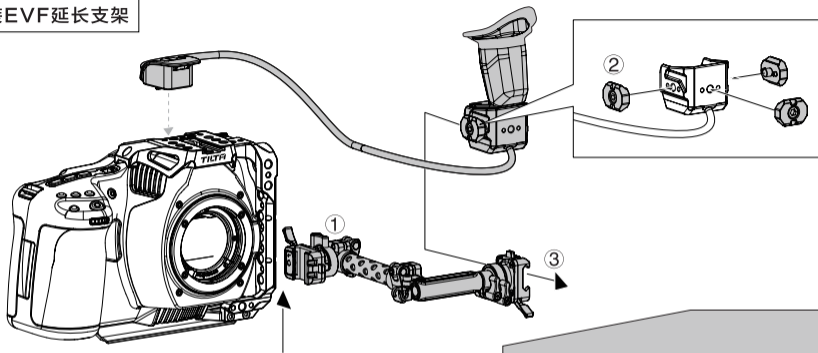
取出①原厂目镜保护盖，将②EVF寻像器延长件对应接到摄影机上，拧紧螺丝完成装配。

2 安装原厂目镜

将③原厂目镜对应装到EVF转接件上，拧紧④旋钮螺丝完成装配。

< 装配组合图 >





1 安装①EVF延长支架

将①EVF延长支架沿着滑条滑入笼子，锁紧扳手完成装配。

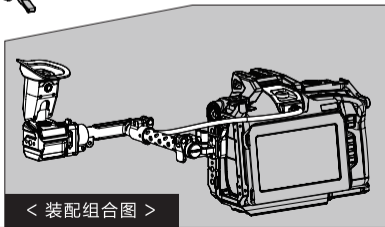
[*EVF延长支架可通过滑条安装在笼子上的任意位置，根据实际情况而定。]

2 自由安装②NATO滑条

NATO滑条可固定在任意1/4定位螺纹孔上。

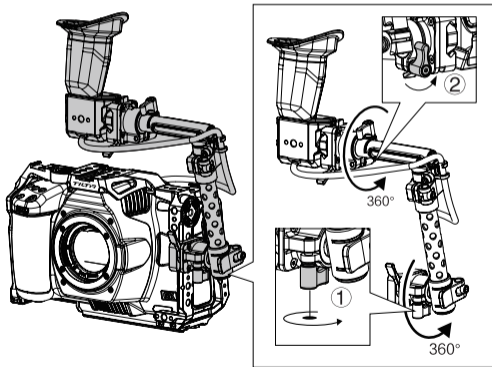
3 组合EVF延长设计

如图③所示，通过NATO滑条将EVF寻像器延长件滑入EVF延长支架中，再拧紧扳手完成装配。



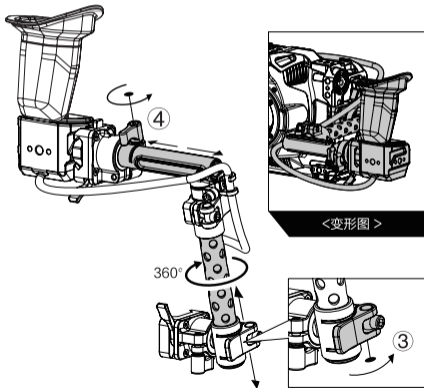
1 角度调节

松动连轴关节处旋钮①或②，EVF延长支架可进行360度角度调节。



2 伸缩调节

松动旋钮③或④，EVF延长支架可进行伸缩调节。
同时松动旋钮③，还可进行360度角度调节。

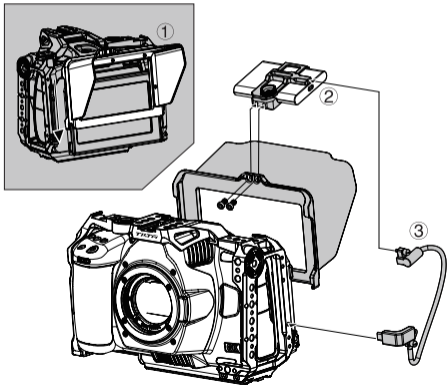


1 安装轻型遮光罩

快卡式设计。将①轻型遮光罩垂直扣在摄影机屏幕上完成装配。

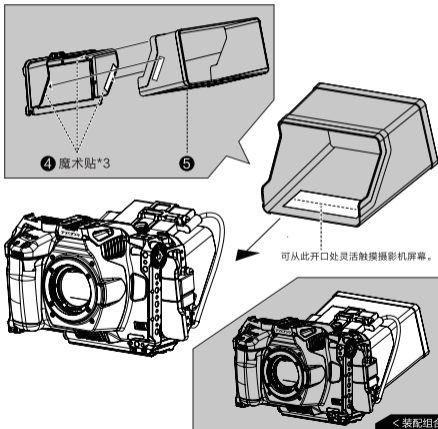
2 拓展硬盘支架

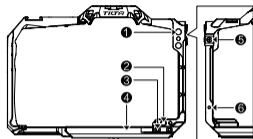
遮光罩顶部可拓展装配②硬盘支架，连接③弯角HDMI数据线完成装配。

**3** 安装加长全包物遮光罩

取出④魔术贴(毛面)，将其贴在轻型遮光罩三边距最外边3mm处。

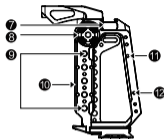
将⑤加长全包物遮光罩贴在轻型遮光罩的魔术贴处。



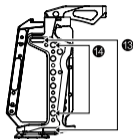


< FRONT >

< BACK >

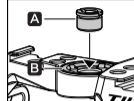


< LEFT SIDE ARM >



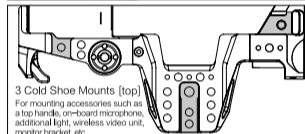
< RIGHT SIDE ARM >

DETAILS >>



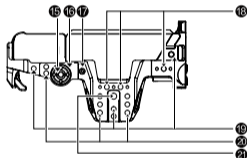
A 3/8" -16 to 1/4" -20 reducer bushing [top]

B 3/8" -16 screw hole with locating pins [top]
For mounting accessories with 3/8" -16 screw holes. Can be adapted to 1/4" -20 screw holes.

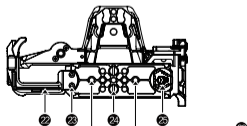


3 Cold Shoe Mounts [top]

For mounting accessories such as a top handle, on-board microphone, additional light, wireless video unit, monitor bracket, etc.



< TOP >



< BOTTOM >

1 1/4" -20 screw holes with locating points
[for mounting 15mm rod holder.]

2 1/4" -20 screw holes with locating points
[for mounting 15mm rod holder and side handle attachment.]

3 M3 screw hole
[Remove the screws to install the original battery grip.]

4 ARCA standard plate

5 Cable clamp

6 Cable clamp mounting point

7 Strap holder

8 Rosette mount
[ARRI standard rosette.]

9 1/4" -20 screw holes with locating points
[for Tilting advanced side handle attachment Type VII.]

10 NATO rail

11 Tilta HDMI adapter mounting point

12 Tilta USB-C port mounting point

13 Wrist strap holder

14 1/4" -20 screw holes with locating points
[for Tilting advanced side handle attachment Type VII and NATO rail]

15 3/8" -16 to 1/4" -20 reducer bushing

16 3/8" -16 screw hole with locating points
[can be adapted to 1/4" -20]

17 M3 screw hole
[for disassembling into half cage.]

18 1/4" -20 screw holes with locating points
[for mounting accessories.]

19 Cold shoe mount with 1/4" -20 locating points
[for mounting accessories such as an on-board microphone, additional light, wireless video unit, monitor bracket, etc.]

20 1/4" -20 screw holes

21 Security mounting point (top)

22 2mm hex key
[can be stored on the bottom of the camera cage.]

23 M3 screw hole
[for disassembling into half cage.]

24 Security mounting point (bottom)

25 Magnetic flat head screwdriver
[can be stored on the bottom of the camera cage.]

26 1/4" -20 screw holes

Rosette mount
[left side]

Compatible with ARRI standard rosette.

1/4" -20 screw hole with locating points [left side]

For mounting accessories with 1/4" -20 screw with locating points.

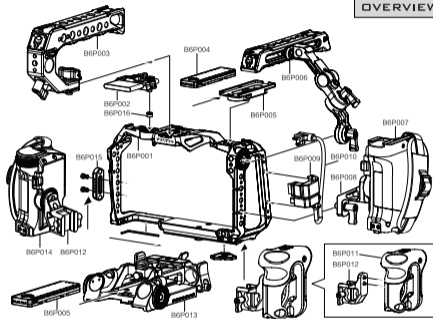
NATO rail [left side]

For mounting Tilting side handle attachment.

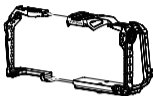
1/4" -20 screw hole with locating points
[right side]

For mounting accessories with 1/4" -20 screw with locating pins.

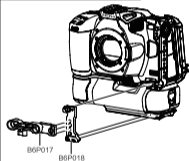
OVERVIEW



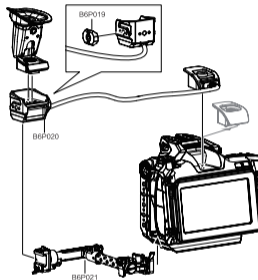
SWITCHING FROM FULL CAGE TO HALF CAGE



COMPATIBLE WITH THE ORIGINAL BATTERY GRIP



EVF EXTENSION UNIT



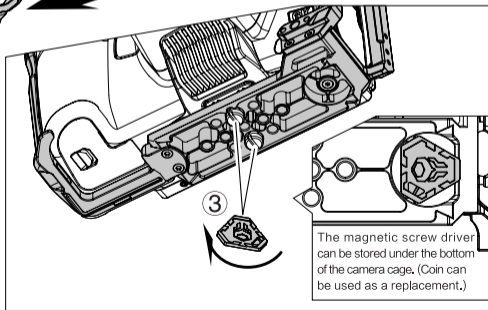
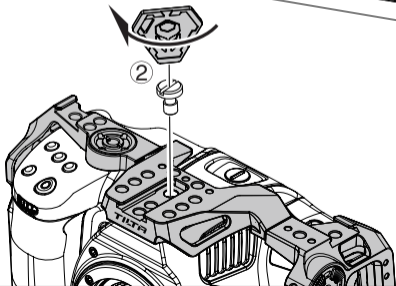
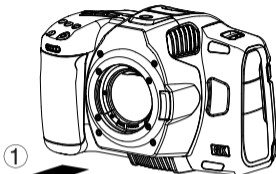
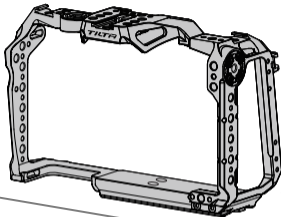
| | | | | | | | | |
|--------|--|----------------|--------|--|----------------|--------|--------------------------------------|-----------------|
| B6P001 | Full Camera Cage for BMPCC 6K Pro | TA-T11-FCC-B | B6P008 | Tilting Advanced Side Handle Attachment Type VII | TA-AHA7-LR-B | B6P015 | Tilting 36mm NATO Rail Attachment | TA-NRA-36-B |
| B6P002 | Tilting SSD Drive Holder for T7 | TA-SSDH-T7 | B6P009 | HDMI 90-Degree Adapter for BMPCC 4K/6K | TA-T01-HDA-90 | B6P016 | 3/8" -16 to 1/4" -20 reducer bushing | TA-1420-3816-HA |
| B6P003 | Quick Release Top Handle | TA-QRTH-B | B6P010 | 90-Degree USB-C Cable (30cm) | CB-USBC-30 | B6P017 | 15mm Rod Holder for BMPCC 6K Pro | TA-T11-RH-B |
| B6P004 | SSD Case for BMPCC 4K/6K Display Modification | TA-T01-DM-SSD2 | B6P011 | Tilting Left Side Wooden Handle | TA-LWH-B | B6P018 | Battery Grip Security Attachment | ----- |
| B6P005 | Tilting SSD Drive Holder for NVMe/SATA | TA-SSDH-NVSA-B | B6P012 | Tilting Advanced Left/Right Side Handle Attachment Type VI | TA-AHA6-L(R)-B | B6P019 | NATO Rail | TA-1420-NTR4 |
| B6P006 | Tilting Adjustable Top Handle Plus | TA-QRTH6-B | B6P013 | Tilting 15mm LWS Baseplate Type VI | TA-BSP6-15-B | B6P020 | EVF Extension Cable for BMPCC 6K Pro | TA-T11-EEC |
| B6P007 | Tilting Left Side Advanced Power Handle with Run/Stop (F570 Battery) | TA-LRH-57-B | B6P014 | Tilting Right Side Advanced Focus Handle (F570 Battery) | TA-RFH-57-B | B6P021 | Tilting EVF Extension Bracket | TA-EEB-B |

21



INSTALLING THE FULL CAMERA CAGE

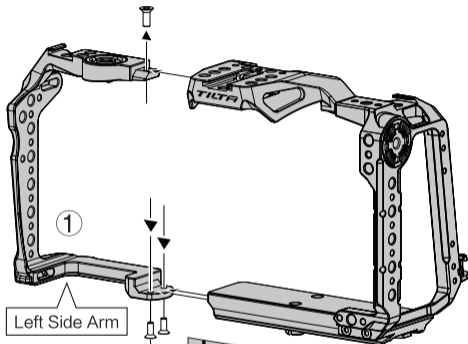
- 1** Place the camera into the **1** full camera cage.
- 2** Take out the **2** flat head screw driver. Tighten the tie down screw on the bottom of the cage.



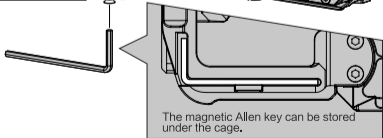
The magnetic screw driver can be stored under the bottom of the camera cage. (Coin can be used as a replacement.)



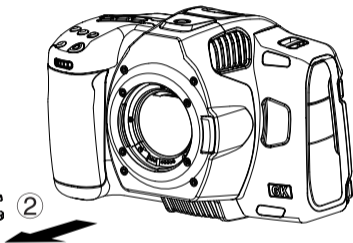
DETACHABLE DESIGN SWITCHING FROM FULL CAGE TO HALF CAGE



Left Side Arm



The magnetic Allen key can be stored under the cage.

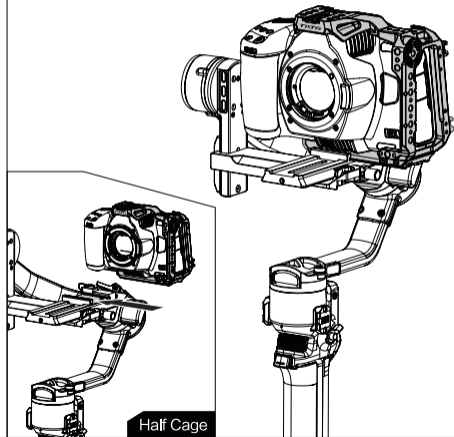
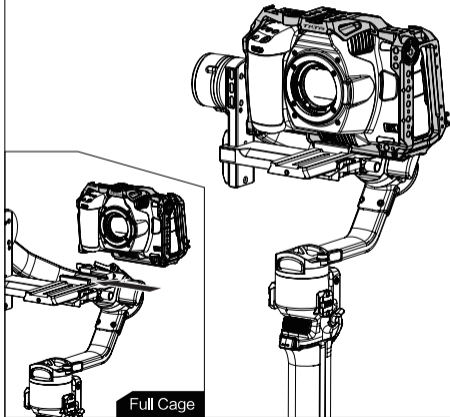


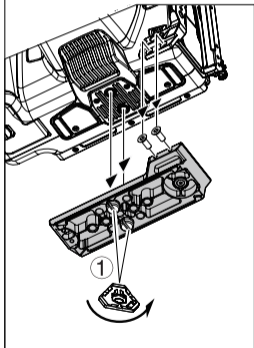
- 1** While in the full cage mode, remove the ① left side arm to switch from the full cage to a half cage.
- 2** Place the camera into the ② half cage. The installation is the same as the full camera cage.



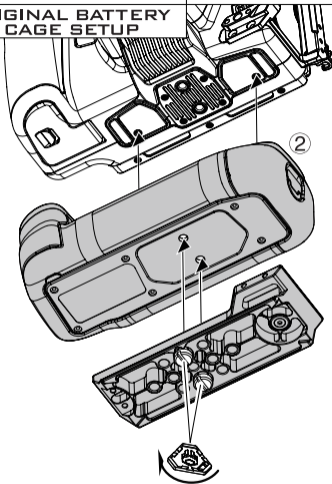
► ARCA Quick Release Plate

The camera cage has a built-in ARCA quick release plate on the bottom. Supports quick and easy mounting onto a gimbal or tripod.



24**INSTALLING THE ORIGINAL BATTERY GRIP WHEN IN HALF CAGE SETUP**

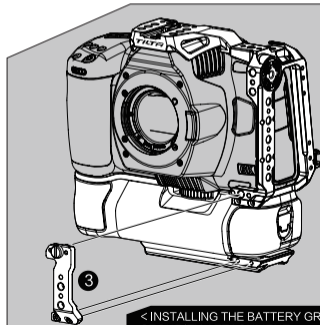
< REMOVING THE BOTTOM PLATE >



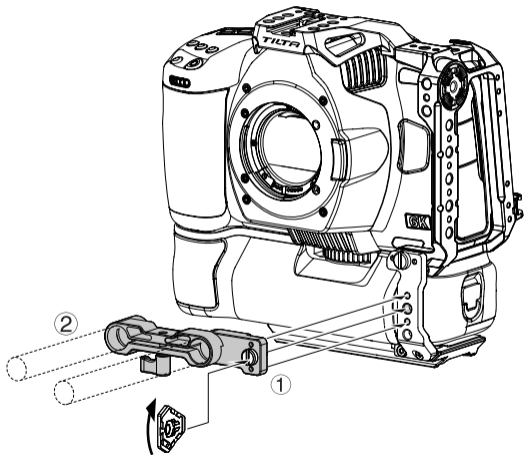
Remove the ① bottom plate with the flat head screwdriver.

Install the ② battery grip to the bottom of the camera, then mount the bottom plate to the bottom of the battery grip. Tighten the tie down screws.

Secure the battery grip by mounting the ③ battery grip security attachment.



< INSTALLING THE BATTERY GRIP SECURITY ATTACHMENT >

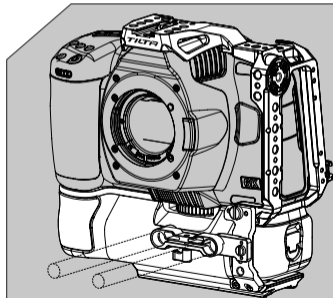
25**INSTALLING THE 15MM ROD HOLDER
ONTO THE ORIGINAL BATTERY GRIP**

- 1** Installing the ① 15mm rod holder for BMPCC 6K Pro.

Align the rod holder with the 1/4" -20 screw hole with locating point on the battery grip security attachment. Tighten the tie down screw.

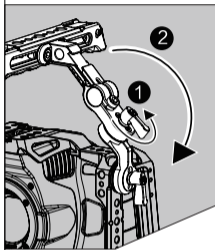
- 2** Installing the ② 15mm rods.

Install the 15mm rods to allow you to attach a variety of accessories



< DEMONSTRATION >

INSTALLING ADJUSTABLE TOP HANDLE (OPTIONAL) & SWITCHING BETWEEN HORIZONTAL AND VERTICAL MODES

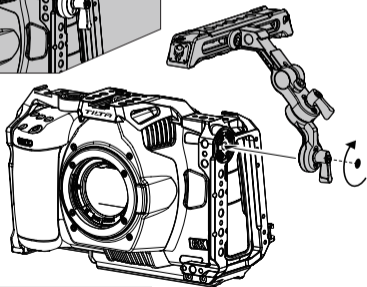


- 1** Installing the adjustable top handle.

Align the the adjustable top handle with the rosette on the camera cage. Tighten the tie down screw.

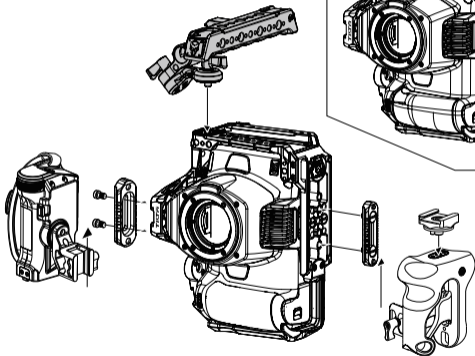
- 2** Switching between horizontal and vertical modes

Loosen the ① tie down screw and rotate 180° towards the desired direction. Adjust the ② adjustable top handle for horizontal or vertical modes.

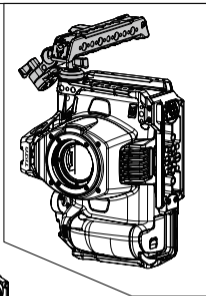


Full Cage – Horizontal Mode

- 3** While in vertical mode, the two sides serve as side arms for mounting accessories such as a NATO rail, side handle, etc.



Full Cage – Vertical Mode

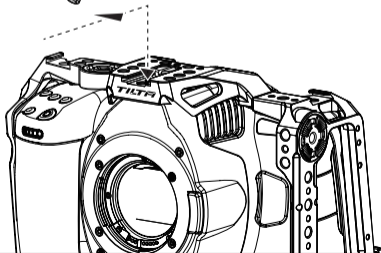
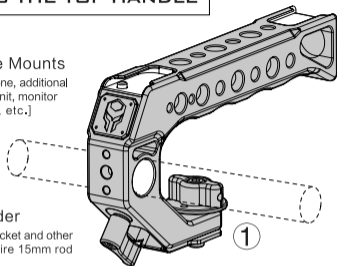


**Dual Cold Shoe Mounts**

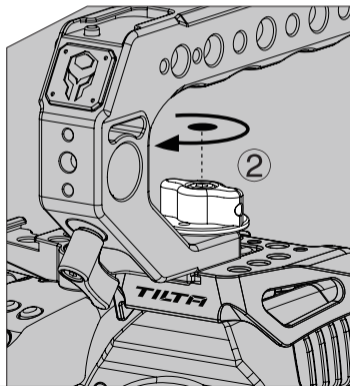
[For mounting microphone, additional light, wireless video unit, monitor bracket, phone bracket, etc.]

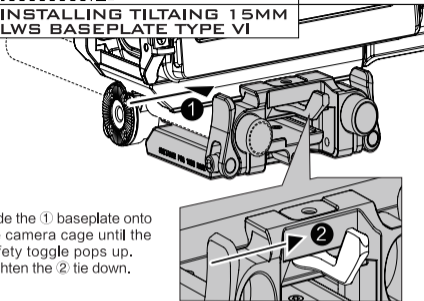
**15mm Rod Holder**

[For mounting EVF bracket and other accessories that require 15mm rod for installation.]

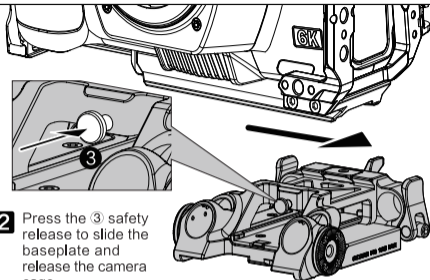


Align the ① tie down screw on the top handle with the 1/4" -20 locating point on top of the camera cage. Tighten the ② tie down screw.

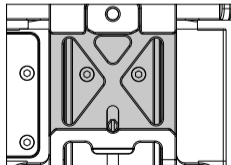


28**INSTALLING TILTING 15MM
LWS BASEPLATE TYPE VI**

- 1** Slide the ① baseplate onto the camera cage until the safety toggle pops up. Tighten the ② tie down.



- 2** Press the ③ safety release to slide the baseplate and release the camera cage.

DETAILS ///

Compatible with ARCA bottom plate [top]

Compatible with camera cages that have built-in ARCA bottom plate. No need for mounting additional ARCA quick release plate.

/// DETAILS

Rosette mounts [left & right]
For mounting accessories with ARRI standard rosettes.

INSTALLING ANGLED CABLE ADAPTER & TILTA M2.0 SSD DRIVE CASE (OPTIONAL)

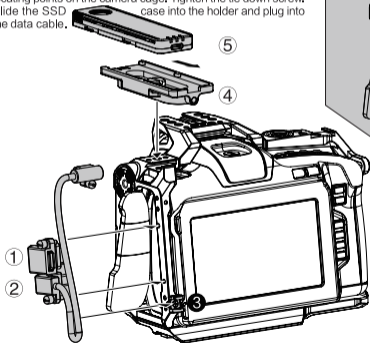
1 Installing the ① 90° angled HDMI adapter & ② angled USB-C port adapter.

Align ① and ② with the screw holes on the side of the camera cage. Insert the cable into the ③ cable clamp.

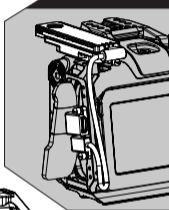
(The full cage comes with one standard cable clamp and can be installed according to your setup needs.)

2 Installing the ④ SSD drive holder & ⑤ SSD case

Align the ④ SSD drive holder with the 1/4" -20 screw hole with locating points on the camera cage. Tighten the tie down screw. Slide the SSD case into the holder and plug into the data cable.

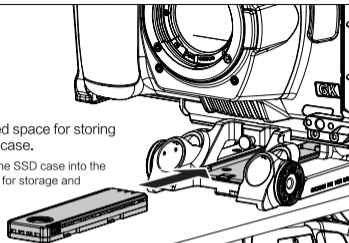


< DEMONSTRATION >

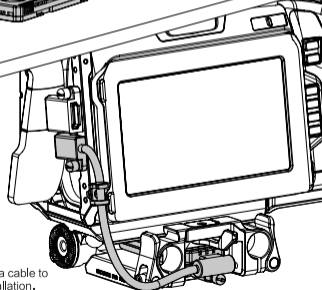


3 Reserved space for storing an SSD case.

(1) Slide the SSD case into the baseplate for storage and efficiency.



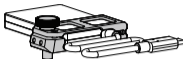
(2) Plug in the data cable to complete the installation.



Tilting SSD Drive Holder for T5



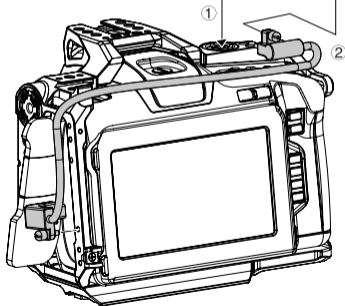
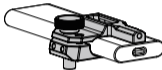
Tilting SSD Drive Holder for Angelbird



Tilting SSD Drive Holder for T7

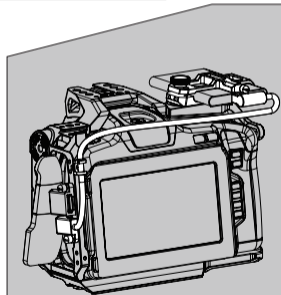


Tilting SSD Drive Holder for Wise



Installing the ① Tilting SSD drive holder for T5/T7/Angelbird/Wise

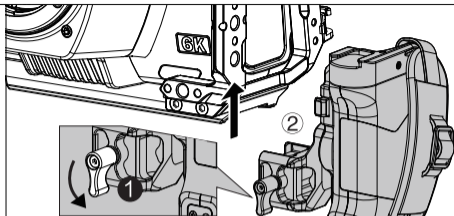
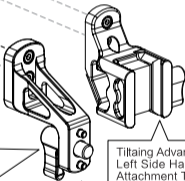
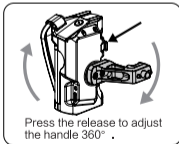
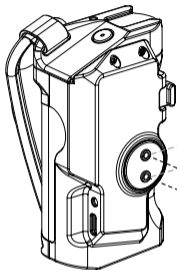
Align the ① SSD drive holder with the 1/4" -20 screw hole with locating points on the camera cage. Tighten the tie down screw and plug in the data cable.



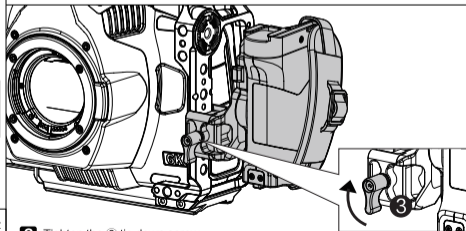
< DEMONSTRATION >

31

INSTALLING SIDE HANDLE & SIDE HANDLE ATTACHMENT



- 1** Loosen the tie down on the ① side handle attachment and slide the ② wooden handle onto the NATO rail on the right side of the cage.



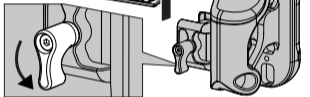
- 2** Tighten the ③ tie down screw.



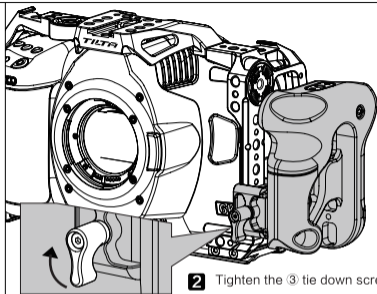
The focus handle has USB-C 8V and DC 12V outputs. Please check and connect your equipment accordingly. Tilta is not responsible for any user errors.

32**INSTALLING WOODEN HANDLE &
COLD SHOE RECEIVER ATTACHMENT****1**

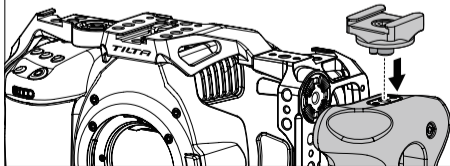
Loosen the tie down on the ① side handle attachment and slide the ② wooden handle onto the NATO rail on the right side of the cage.

**2**

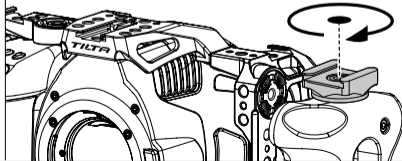
Tighten the ③ tie down screw.

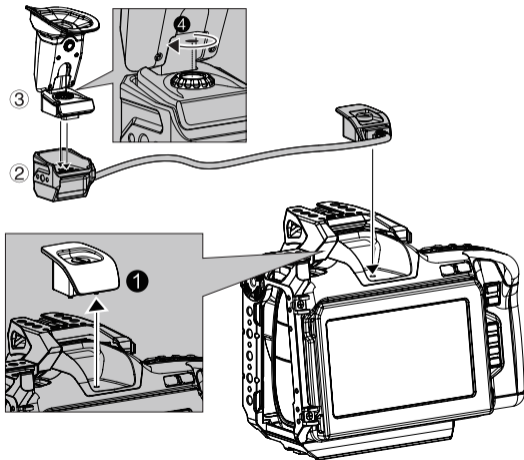
**3**

Align the cold shoe receiver attachment with the 1/4" -20 screw hole on top of the wooden handle.

**4**

Tighten the tie down screw.





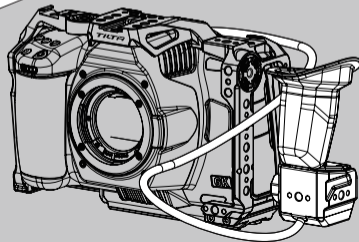
- 1** Installing EVF extension cable. (The extension cable is 300mm or 600mm .)

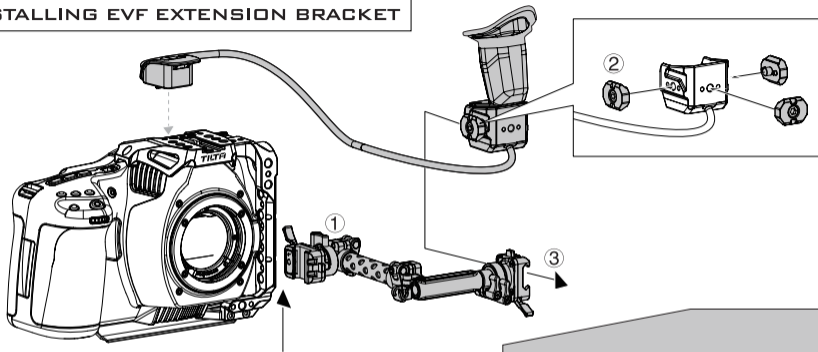
Remove the **①** original viewfinder cover. Install **②** the EVF extension onto the camera. Tighten the tie down screw.

- 2** Installing the original viewfinder.

Install the **③** original viewfinder to the EVF adapter. Tighten the **④** tie down screw to complete the installation.

< DEMONSTRATION >





1 Installing ① EVF extension bracket.

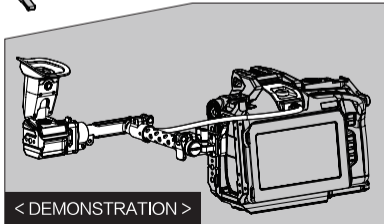
Slide ① the EVF extension bracket onto the NATO rail on the side of the camera cage. Tighten the tie down to complete the installation.
[* The EVF extension bracket is adjustable according to your setup needs.]

2 Installing adjustable ② NATO rail.

The NATO rail can be mounted anywhere with a 1/4" -20 screw hole with locating point.

3 Assembling EVF extension cable unit.

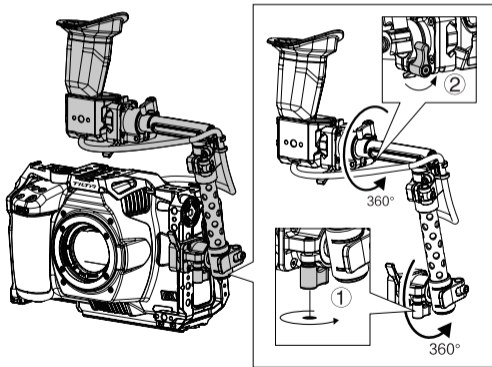
Slide the NATO rail on the side of the EVF into ③ the NATO slot on the EVF extension bracket. Tighten the tie down.



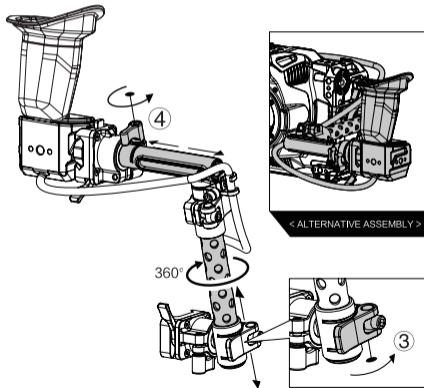
< DEMONSTRATION >

1 Adjusting angles.

Loosen the tie down ① or ② by the joints and adjust the EVF extension bracket 360° .

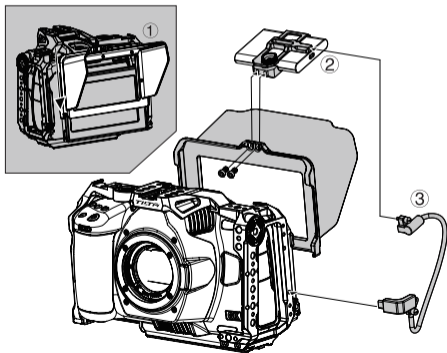
**2** Adjusting the length.

Loosen the tie down ③ or ④ to adjust the length of bracket and to adjust the EVF extension bracket 360° . Loosen the tie down ③ to rotate the extension bracket 360° .

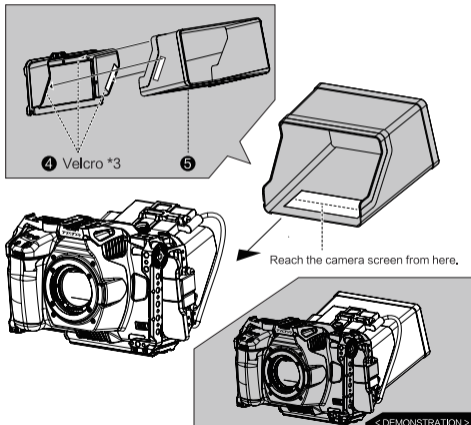




- 1** Installing the sunhood.
Place **1** the sunhood vertically against the camera screen until clicks to complete the installation.
- 2** Installing SSD drive holder.
A **2** SSD drive holder can be mounted on top of the sunhood. Plug in **3** the angled HDMI to complete installation.



- 3** Installing the sunhood extension.
Stick **4** Velcro to three sides on the sunhood, approximately 3mm near each edge. Attach **5** the sunhood extension onto the Velcro.



FOR BMPC6 6K PRO