

RS 2 REMOTE CONTROL HANDLE FOR ADVANCED RING GRIP

环形手持-遥控手柄

TILTA

v1.0

2020.11

免责声明和警告

感谢您购买 TILTA 产品。本文所提及的内容关系到您的安全以及合法权益与责任。

使用本产品之前, 请仔细阅读本文以确保已对产品进行正确的设置。不遵循和不按照本文的说明与警告来操作可能会给您和周围的人带来伤害, 损坏本产品或其它周围的物品。本文档及本产品所有相关的文档最终解释权归 TILTA 所有。如有更新, 恕不另行通知。请访问 www.tilta.com 官方网站以获取最新的产品信息。

一旦使用本产品, 即视为您已经仔细阅读免责声明与警告, 理解、认可和接受本声明全部条款和内容。您承诺对使用本产品以及可能带来的后果负全部责任。您承诺仅出于正当目的使用本产品, 并且同意本条款以及 TILTA 制定的任何相关条例、政策和指引。

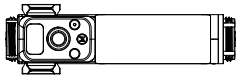
TILTA 对于直接或间接使用本产品而造成的损坏、伤害以及任何法律责任不予负责。用户应遵循包括但不限于本文提及的所有安全指引。

即使存在上述规定, 消费者权益依然受当地法律法规所保障, 并不受本免责声明影响。

TILTA 是深圳市铁头科技有限公司及其关联公司的商标。本文出现的产品名称、品牌等, 均为其所属公司的商标或注册商标。

In the Box | 物品清单

»»»



RS 2 Remote Control Handle
for Advanced Ring Grip

环形手持-遥控手柄

× 1



Wireless Control Receiver
Module for RS 2

无线接收盒

× 1



1/4" 20 Locating Pin Adapter

1/4" -20定位螺丝孔转接件

× 1



18650 Battery charger

18650电池充电器

× 1



NATO Adapter

NATO转接件

× 1



Cold Shoe Adapter

冷靴转接件

× 1



Silicone Protective Cover

硅胶保护套

× 2



18650 The battery

18650电池

× 1



Charging line

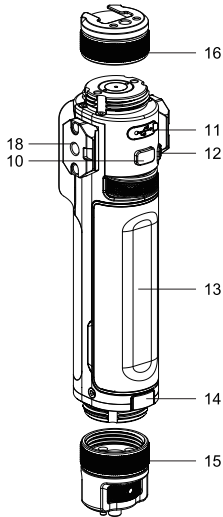
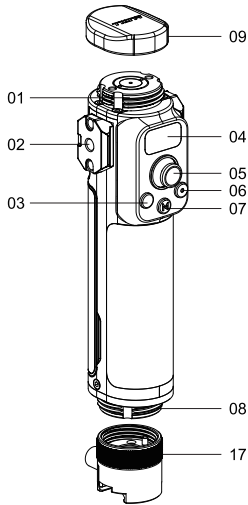
充电线

× 1

认识

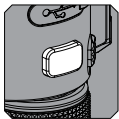
遥控手柄

- 01. 顶部衔接螺纹
- 02. NATO接口
- 03. 扳机键
- 04. 显示屏
- 05. 摇杆
- 06. 相机控制按键
- 07. M按键
- 08. 底部衔接螺纹
- 09. 硅胶保护套



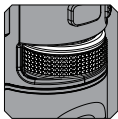
- 10. 开机键
- 11. Type-C 输出口
- 12. 跟焦切换键
- 13. 电池仓盖板
- 14. 电池仓卡扣
- 15. 1/4" -20定位螺丝孔转接件
- 16. 冷靴转接件
- 17. NATO转接件
- 18. NATO接口

控制手柄按键功能



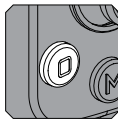
开机键

长按 3 秒：开关机
单击：切换主界面
双击：云台休眠
再双击：唤醒云台
三击：进入菜单功能设置



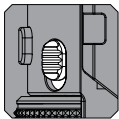
电子跟焦轮 *

可以控制原力系列电机
和大疆电机



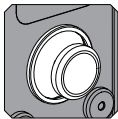
Trigger 键

单击：开始智能跟随
(安装图传系统并开启)
双击：云台回中
三击：进入自拍模式
长按不放：进入锁定模式



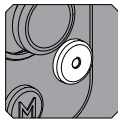
跟焦切换键

Up：控制大疆跟焦电机
Down：控制原力系列电机



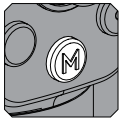
摇杆

上下摇动：控制俯仰轴运动
(默认)
左右摇动：控制平移轴运动
(默认)



相机控制按键 *

半按：控制自动对焦
短按：开始或停止录像
长按：拍照



M 按键

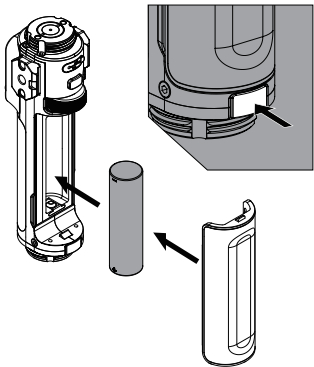
单击：切换云台模式
长按不放：进入运动模式。长按并双击扳机锁定运动模式,(不需保持长按不放)重复可退出。
双击：竖拍模式,再次双击 M 键取消竖拍模式。
三击：进入 360 旋转模式,重复可退出。360 旋转模式下,向左或向右连续摇动摇杆两次,可使相机自动旋转,双击扳机键可停止。

* 相机控制按键以及前置拨轮功能要求连接相应的快门控制线,并根据相机的实际情况有所区别。

使用

按压手柄上的电池仓卡扣，打开手柄电池仓盖板，将18650电池装入手柄内，盖好电池仓盖板即可开机。

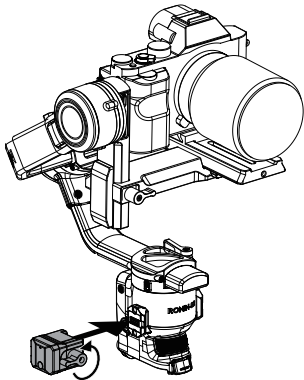
(需搭载无线接收盒来使用)



注：搭配环形手持时无需安装电池，单独使用需要安装电池。

无线接收盒安装

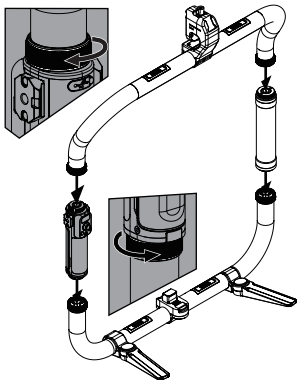
将无线接收器安装至DJI RS 2右边的NATO接口上并旋转拧紧手扭螺丝。此时显示灯为绿色。(安装时需根据说明书来使用，以免对触针造成损坏)



注：控制手柄需要搭配无线接收盒来使用。

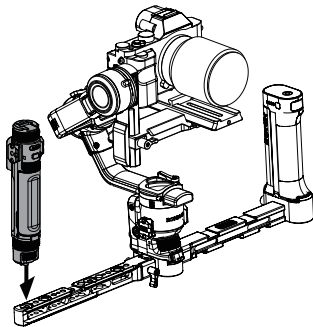
环形双手持安装

对准限位，将手柄装至环形手持-下臂（逆时针方向）
环形手持-上臂（顺时针方向）转动旋钮锁紧手柄。



供电双手持安装

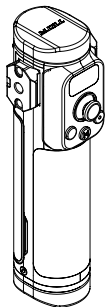
搭配有NATO转接件和1/4螺丝旋钮转接件，可以安装至有Nato滑槽和1/4螺纹孔的配件上使用，也搭配有冷靴转接件可以安装监视器支架和手机支架等配件。



注：可以根据需要来调整安装方向。

控制手柄对频方式

1. 同时按住 M 键和录制键可快速进入自动搜索状态，再双击 RS2 接收盒上的按键，指示为红灯闪烁，此时控制手柄搜索连接后，RS2 接收盒的指示灯自动变绿灯。对频成功，控制手柄可以无线操控云台，无线距离为 80M。



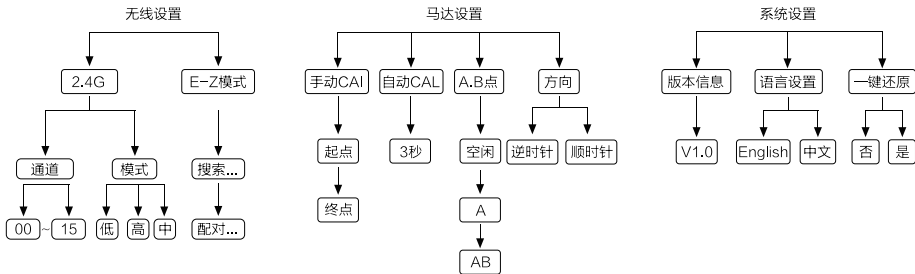
控制手柄菜单功能

长按开机键 进入菜单键

单击开机键 回到主菜单

双击开机键 云台休眠

进入菜单栏（M键是确定键，录制键是返回键，摇杆（上下为上下选，左右无效，长按3S为快速选择）



DISCLAIMERS AND WARNINGS



Thank you for purchasing a TILTA product. What is mentioned in this article is related to your safety, legal rights and liabilities. Before using this product, please read this article carefully to ensure a proper configuration. Failure to follow the instructions or any disregard for the warnings may cause harm to you and other people, and may cause damage to this product and surrounding objects. TILTA owns the right to final interpretation of this document and all other collateral documents. Updates on information are subject to change without prior notice. For up-to-date product information, please visit the official website, www.tilta.com.

By using this product, you hereby signify that you have read this disclaimer and warning carefully and that you understand, agree to, and accept the terms and conditions herein. You agree that you are solely responsible for your own conduct while using this product and for any consequence thereof. You agree to use this product only for proper purposes and abide by all the terms, policies and guidelines TILTA has made and may make.

TILTA accepts no liability for damage, injury or any legal responsibility incurred directly or indirectly from the use of this product. The user shall observe safe practices including, but not limited to, those set forth in this document.

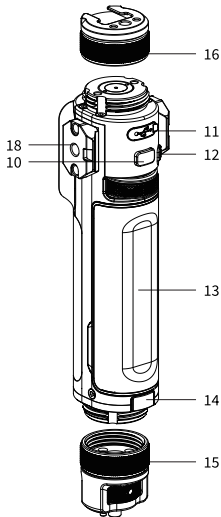
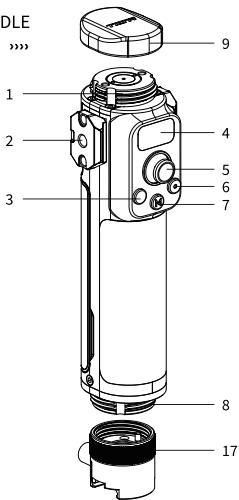
Despite the terms mentioned above, consumers' rights and interests are still protected by local laws and regulations, and are not affected by this disclaimer.

TILTA is a trademark of Shenzhen TILTA Technology Co., Ltd. and its affiliated companies. Product names and brands in this document are trademarks or registered trademarks of its affiliates.

LAYOUT

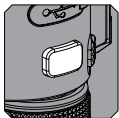
REMOTE CONTROL HANDLE

- 1. Top Screw
- 2. NATO Connector
- 3. Trigger
- 4. Display
- 5. Joystick
- 6. Camera Control
- 7. M Key
- 8. Bottom Screw
- 9. Protective Cover



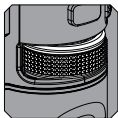
- 10. Menu
- 11. USB-C Port
- 12. Focus Control Switch
- 13. Battery Chamber Cover
- 14. Battery Release
- 15. 1/4" 20 Locating Pin Adapter
- 16. Cold Shoe Adapter
- 17. NATO Adapter
- 18. NATO Connector

REMOTE CONTROL HANDLE FUNCTION KEYS



MENU

3 seconds hold: Power on
Single click: Switch interface
Double click: Gimbal sleep mode
Double click again: Wake up the gimbal
Hold: Menu settings



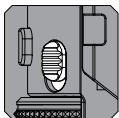
FOLLOW FOCUS WHEEL *

Control focus on a Nucleus series lens control motor or the DJI lens motor.



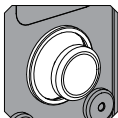
TRIGGER

Single click: Start smart following (wireless video system not activated)
Double click: Reset gimbal
Triple click: Selfie mode
Hold: Lock mode



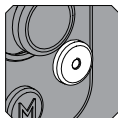
FOCUS CONTROL SWITCH

Up: Control Dji follow focus motor
Down: Control Nucleus follow focus motor



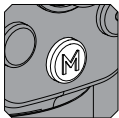
JOYSTICK

Up & down: Control tilt (default setting)
Left & right: Control pan (default setting)



CAMERA CONTROL *

Half way hold: Auto focus control
Quick click: Start/stop recording
Long hold: Take photos



M KEY

Single click: Switch gimbal settings.
Long hold: Sports mode. Holding while double-clicking the trigger will lock the sports mode (no need to hold too long). Repeat the same action to exit the sports mode.
Double click: Vertical mode. Double click again to exit the vertical mode.
Triple click: 360 mode. Repeat triple click to exit 360 mode. Under 360 mode, pressing the joy stick twice either left or right will make the camera spin automatically. Double click trigger to stop this action.

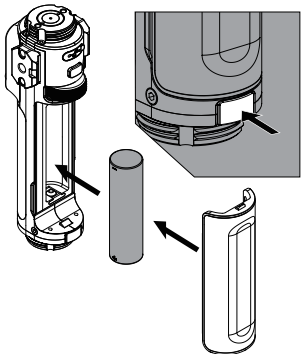
* R/S cable is required to use the Camera Control Key and Follow Focus Wheel. Please check your own camera's settings to operate accordingly.

ASSEMBLY



Press the battery release to open the battery chamber. Insert the 18650 battery and cover the battery chamber. The handle is ready to power on.

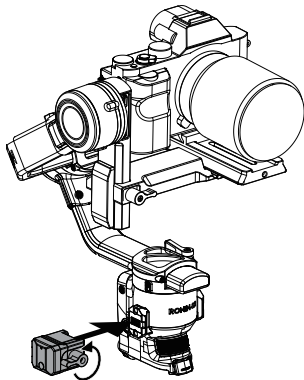
(Wireless control receiver module is required.)



Note: Used with the ring grip, no battery is required.
When the handle is used alone, you need to install 18650 battery.

WIRELESS CONTROL RECEIVER MODULE ASSEMBLY

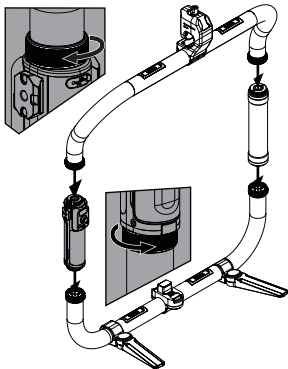
Attach the wireless control receiver module to the NATO rail on the right side of DJI RS 2. Tighten the tie down. The indicator light will blink green. (Please follow the instructions for the installation to avoid damage to the contact points.)



Note: Wireless control receiver module is required to use the remote control handle.

WORKING WITH THE RING GRIP

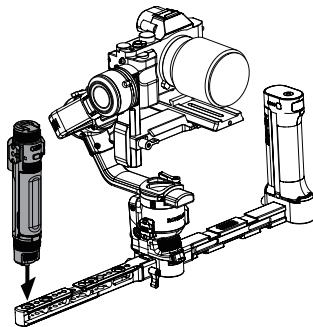
Align the contact points and screw on the two bottom arms of the ring grip. To tighten, rotate counter-clockwise. Install the top arm to the handles. To tighten, rotate clockwise.



Note: The installation direction can be adjusted.

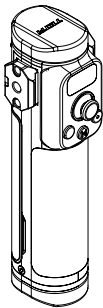
WORKING WITH DUAL HANDLE POWER SUPPLY BRACKET

Use NATO adapter and 1/4" 20 screw adapter to work with accessories that have NATO rail and 1/4" 20 screw point. Use the cold shoe adapter to mount an on-board monitor and/or phone mount.



PAIRING THE REMOTE CONTROL HANDLE

1. Press M key and Record key at the same time to enter auto search mode. Double click the power button on wireless control receiver module. The indicator light will blink red. Once the remote control handle is connected, the indicator on the receiver module will turn green. Once pairing is done, you will be able to control the gimbal wirelessly. The maximum wireless control range is 80m.



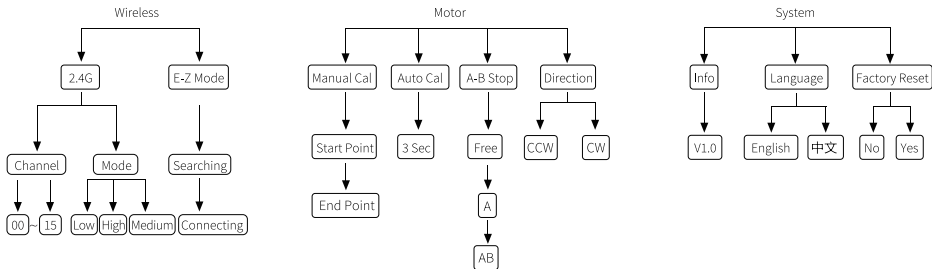
REMOTE CONTROL HANDLE MENU SETTINGS

Long Hold Menu Key: Enter the menu settings

Single Click Menu Key: Back to the main menu

Double Click Menu Key: Gimbal sleep mode

Enter Menu Settings: To confirm, press M key. To return to the previous menu, press Camera Control key. To move up and down, push the joystick up and down. To quickly select, hold the joystick for 3 seconds.



TILTA

版权由深圳铁头科技有限公司所有

需授权方可转载

本公司有权在不提前通知的情况下修改产品参数

产品尺寸仅供参考，以实物为准

TILTA 是深圳铁头科技有限公司的注册商标

官方网站: tilta.com.cn www.tilta.com

中国地址: 深圳市光明新区光侨路转7号路 侨德高新科技园B栋2楼

全国服务热线: 4006 1998 67

All copyrights belong to Tilta Technology Co. Ltd.

Written permission is needed for any reproductions.

Tilta has the right to adjust product specification without notice.

All measurements are for reference only. Please see the actual products for more details.

TILTA is a registered trademark owned by Tilta Technology Co., Ltd.

Website: www.tilta.com

US Address: 2801 W Magnolia Blvd, Burbank, CA 91505

US Contact Number: +1(818)651-4991



关注微信公众号



扫码进入官网