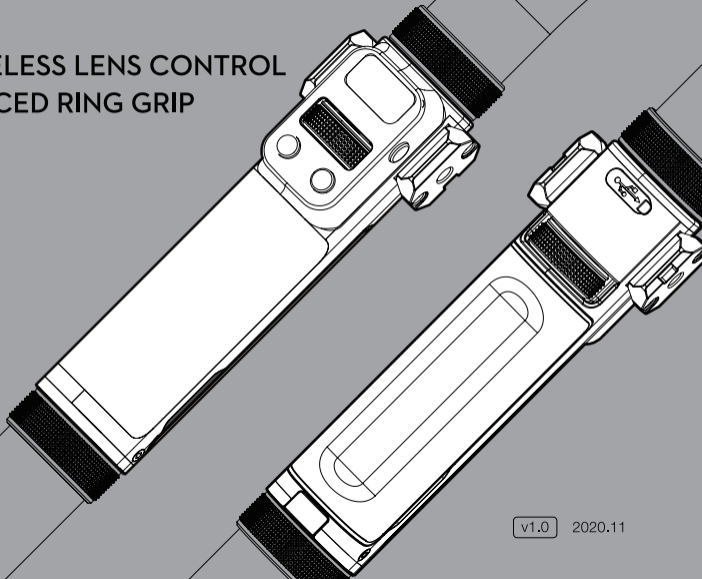


# DUAL CHANNEL WIRELESS LENS CONTROL HANDLE FOR ADVANCED RING GRIP

»»»  
环形手持-双跟焦手柄



**TILTA**

v1.0 2020.11

## 免责声明和警告

感谢您购买 TILTA 产品。本文所提及的内容关系到您的安全以及合法权益与责任。

使用本产品之前, 请仔细阅读本文以确保已对产品进行正确的设置。不遵循和不按照本文的说明与警告来操作可能会给您和周围的人带来伤害, 损坏本产品或其它周围的物品。本文档及本产品所有相关的文档最终解释权归 TILTA 所有。如有更新, 恕不另行通知。请访问 [www.tilta.com](http://www.tilta.com) 官方网站以获取最新的产品信息。

一旦使用本产品, 即视为您已经仔细阅读免责声明与警告, 理解、认可和接受本声明全部条款和内容。您承诺对使用本产品以及可能带来的后果负全部责任。您承诺仅出于正当目的使用本产品, 并且同意本条款以及 TILTA 制定的任何相关条例、政策和指引。

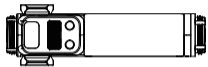
TILTA 对于直接或间接使用本产品而造成的损坏、伤害以及任何法律责任不予负责。用户应遵循包括但不限于本文提及的所有安全指引。

即使存在上述规定, 消费者权益依然受当地法律法规所保障, 并不受本免责声明影响。

TILTA 是深圳市铁头科技有限公司及其关联公司的商标。本文出现的产品名称、品牌等, 均为其所属公司的商标或注册商标。

## In the Box | 物品清单

»»»



Dual Channel Wireless Lens Control  
Handle for Advanced Ring Grip

环形手持-双跟焦手柄  
× 1



NATO Adapter

NATO转接件  
× 1



1/4" 20 Locating Pin Adapter

1/4" -20定位螺丝孔转接件  
× 1



18650 Battery charger

18650电池充电器  
× 1



18650 Battery

18650电池  
× 1



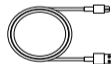
Cold Shoe Adapter

冷靴转接件  
× 1



Silicone Protective Cover

硅胶保护套  
× 2

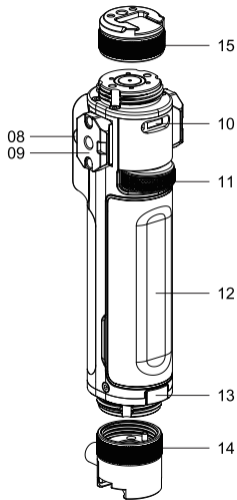
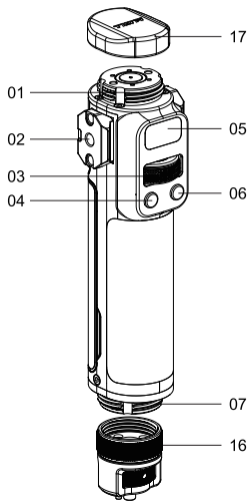


Charging line

充电线  
× 1

## 双跟焦手柄

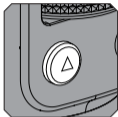
- 01. 顶部衔接螺纹
- 02. NATO接口
- 03. 后置跟焦轮
- 04. 按键1
- 05. 显示屏
- 06. 按键2
- 07. 底部衔接螺纹
- 08. 开机键



- 09. NATO接口
- 10. Type-C 输出口
- 11. 前置跟焦轮
- 12. 电池仓盖板
- 13. 电池仓卡扣
- 14. NATO转接件
- 15. 冷靴转接件
- 16. 1/4" -20定位螺丝孔转接件
- 17. 硅胶保护套

## 双跟焦手柄按键功能

»»»»



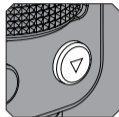
### 按键 1

单击：查看位置信息

再此单击：退出

双击：通道 +1

长按：进入主菜单设置



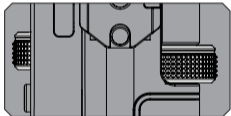
### 按键 2

单击：A-B 点设置

双击：通道 -1

长按：进入 AB 和 CAL 功能设置

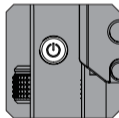
三击：取消所有的 A-B 点设置



### 前后双跟焦轮

双通道跟焦手柄,通过对跟焦轮的编号设置对应不同的马达号,可以控制相机的跟焦,变焦,光圈

(注:此跟焦手柄只适配 tilta 原力系列跟焦电机)



### 开机键

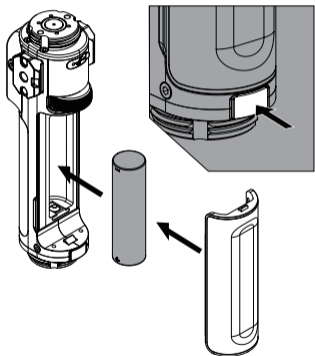
长按 3 秒：开机或关机

单击：REC 和 STBY 切换

双击：MASTER 和 SLAVE 切换

## 使用

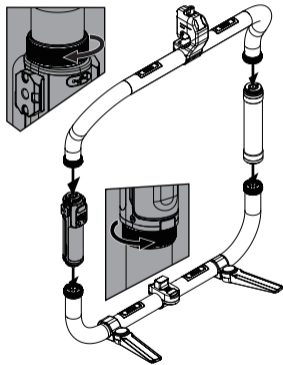
按压手柄上的电池仓卡扣，打开手柄电池仓盖板，将18650电池装入手柄内，盖好电池仓盖板即可开机。



注：搭配环形手持时无需安装电池，单独使用需要安装电池。

## 环形双手持安装

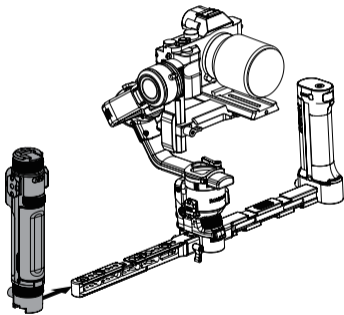
对准限位，将手柄装至环形手持-下臂（逆时针方向）  
环形手持-上臂（顺时针方向）转动旋钮锁紧手柄。



注：可以根据需要来调整安装方向。

## 供电双手持安装

搭配有NATO转接件和1/4螺丝旋钮转接件，可以安装至有Nato滑槽和1/4螺纹孔的配件上使用，也搭配有冷靴转接件可以安装监视器支架和手机支架等配件。



5

注：可以根据需要来调整安装方向。

## 双跟焦手柄使用说明

双跟焦手柄可以控制原力N电机和原力M电机，将手柄的无线通道和马达号与跟焦电机无线通道和马达号调节一致即可进行跟焦和变焦。

单击“▲”可以查看跟焦轮的信息

对频方式：1 可以通过双击“▲”和“▼”调节与电机相同的无线通道进行对频。

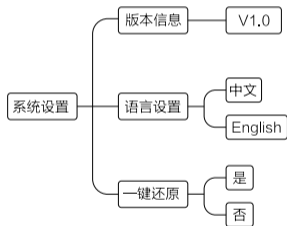
- 2 EZ模式对频,同时按住手柄▲和▼进入EZ搜索状态,同时也按住原力M的▲和▼进EZ模式,等待被手柄搜索手柄搜索到后会有相对应的马达数量,按确定键确认,EZ模式对频完成。

## 双跟焦手柄菜单功能

单击“▲”是上键，单击“▼”是下键，双击“▲”是确认键，双击“▼”是返回键，长按3S以上是快速选择。

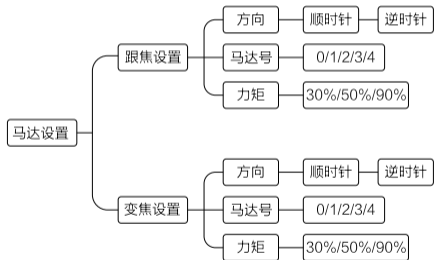
系统设置的界面操作：

长按“▲”键进入“菜单界面”，选择系统设置。



马达设置的界面操作：

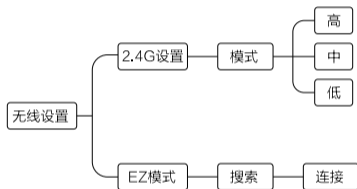
长按“▲”键进入“菜单界面”，选择马达设置。





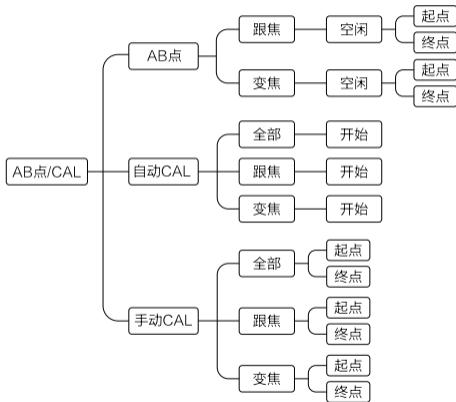
无线设置的界面操作：

长按“▲”键进入“菜单界面”，选择无线设置。



A/B点和CAL的设置界面操作：

长按“▼”键进入“菜单界面”，选择A/B点和CAL的设置。



注：“A/B点设置”：在跟焦或变焦设置到“FREE”界面时，此时应当转动滚轮至起点（A点）后双击：“▲”来确定起点。然后转动滚轮至终点（B点）后双击：“▲”来确定终点。操作完成后若双击“▲”为重新设置，双击“▼”为返回上一级菜单。

注：“自动CAL功能”：在装有能够正常通讯的原力系列的马达，进入菜单界面选择“自动CAL”功能，才可实现此项功能。

注：“手自动CAL功能”：在装有能够正常通讯的原力系列的马达，进入菜单界面选择“手动CAL”功能。双击“▲”进入跟焦/变焦的起点界面后需要转动滚轮至起点，再次双击“▲”进入终点界面时需要转动滚轮至终点，才可实现此项功能。

## **DISCLAIMERS AND WARNINGS**

---



Thank you for purchasing a TILTA product. What is mentioned in this article is related to your safety, legal rights and liabilities. Before using this product, please read this article carefully to ensure a proper configuration. Failure to follow the instructions or any disregard for the warnings may cause harm to you and other people, and may cause damage to this product and surrounding objects. TILTA owns the right to final interpretation of this document and all other collateral documents. Updates on information are subject to change without prior notice. For up-to-date product information, please visit the official website, [www.tilta.com](http://www.tilta.com).

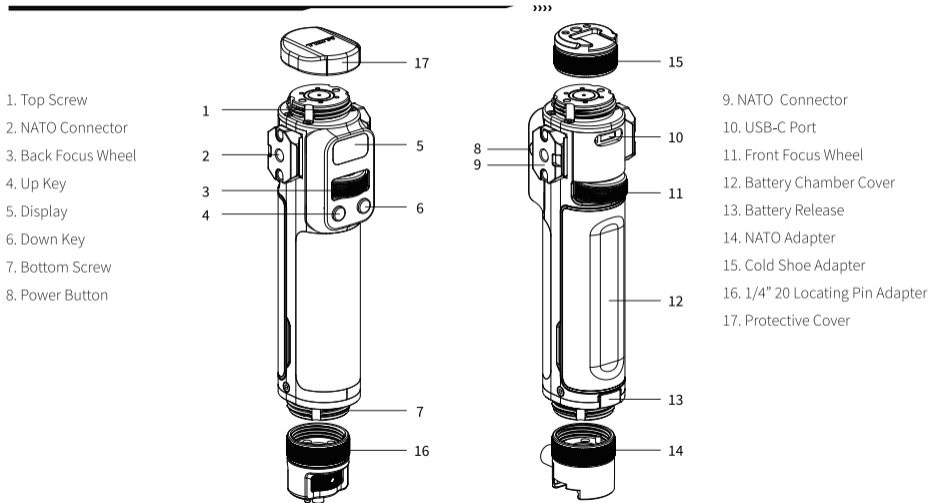
By using this product, you hereby signify that you have read this disclaimer and warning carefully and that you understand, agree to, and accept the terms and conditions herein. You agree that you are solely responsible for your own conduct while using this product and for any consequence thereof. You agree to use this product only for proper purposes and abide by all the terms, policies and guidelines TILTA has made and may make.

TILTA accepts no liability for damage, injury or any legal responsibility incurred directly or indirectly from the use of this product. The user shall observe safe practices including, but not limited to, those set forth in this document.

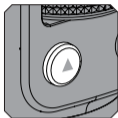
Despite the terms mentioned above, consumers' rights and interests are still protected by local laws and regulations, and are not affected by this disclaimer.

TILTA is a trademark of Shenzhen TILTA Technology Co., Ltd. and its affiliated companies. Product names and brands in this document are trademarks or registered trademarks of its affiliates.

## DUAL CHANNEL WIRELESS LENS CONTROL HANDLE



## DUAL CHANNEL WIRELESS LENS CONTROL HANDLE



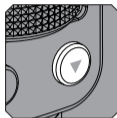
### UP KEY

**Single click:** Check location info

**Single click again:** Exit

**Double click:** Channel +1

**Hold:** Enter main menu



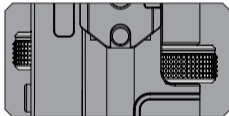
### DOWN KEY

**Single click:** A-B marks

**Double click:** Channel -1

**Hold:** Enter AB marks setting and CAL setting.

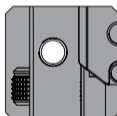
**Three click:** Exit all A-B marks settings



### FRONT & BACK FOCUS WHEELS

Assigning the wheels to Nucleus series lens control motors will allow you to control focus, zoom, and iris.

(NOTE: This handle is only compatible with Tilta Nucleus series lens motors.)



### POWER BUTTON

**3 seconds hold:** Power on & off.

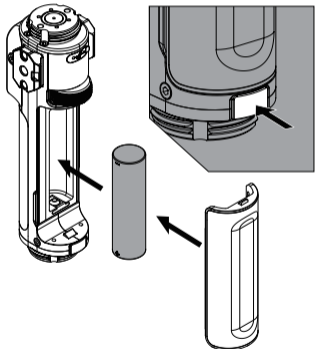
**Single click:** Record and STBY

**Double click:** Switch between MASTER & SLAVE modes.

## ASSEMBLY



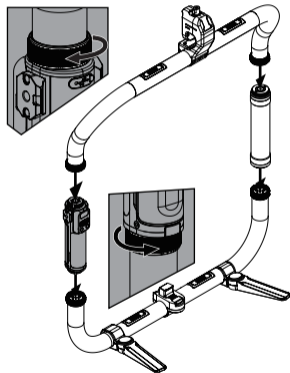
Press the battery release to open the battery chamber. Insert the 18650 battery and cover the battery chamber. The handle is ready to power on.



Note: Used with the ring grip, no battery is required. When the handle is used alone, you need to install 18650 battery.

## WORKING WITH THE RING GRIP

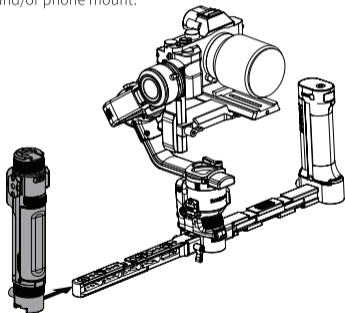
Align the contact points and screw on the two bottom arms of the ring grip. To tighten, rotate counter-clockwise. Install the top arm to the handles. To tighten, rotate clockwise.



Note: The installation direction can be adjusted.

## WORKING WITH DUAL HANDLE POWER SUPPLY BRACKET

Use NATO adapter and 1/4" 20 screw adapter to work with accessories that have NATO rail and 1/4" 20 screw point. Use the cold shoe adapter to mount an on-board monitor and/or phone mount.



Note: The installation direction can be adjusted.

## Dual Channel Wireless Control Handle Instructions:

The Dual Channel Wireless Control Handle is compatible with the Tilta Nucleus-Nano and Nucleus-M wireless lens control systems. Match the wireless channels and motor numbers on both the handle and the wireless lens control systems motors to allow for focus, iris, and/or zoom controls. Single click “▲” to check the information on the lens control motor.

### Pairing:

1. To match the frequency, double click “▲” and “▼” to match the wireless channels on the handle and the lens control motor.

EZ mode pairing. Hold “▲” and “▼” on the handle at the same time to enter “search” mode; Hold “▲” and “▼” on Nucleus-M to enter EZ mode and wait for the handle to match the frequency. The number of the lens control motors will appear after the handle matches the frequency with Nucleus-M. Press confirm to complete EZ mode pairing.

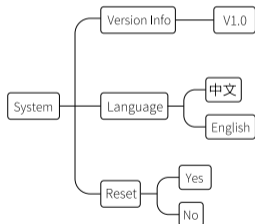
## DUAL CHANNEL WIRELESS LENS CONTROL HANDLE MENU SETTINGS

Single click “▲” to go up. Single click “▼” to go down.

Double click “▲” to confirm. Double click “▼” to return. Hold 3 seconds for quick selection.

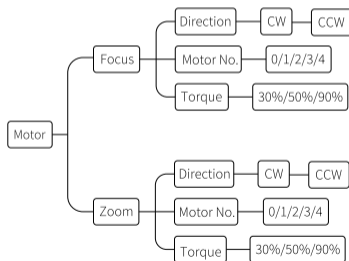
### SYSTEM SETTINGS:

Hold “▲” to enter “Menu”. Single click “▲” to select system settings.



### MOTOR SETTINGS:

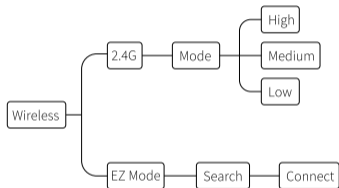
Hold “▲” to enter “Menu”. Single click “▲” to select motor setting.





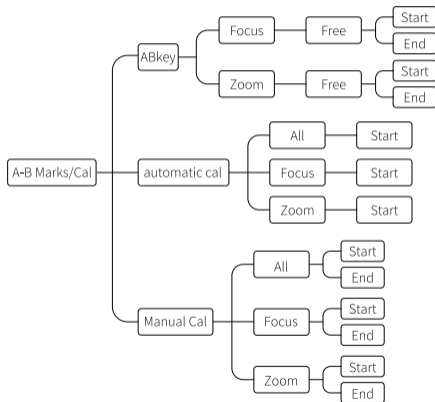
### WIRELESS CONNECTION SETTINGS:

Hold "▲" to enter "Menu". Single click "▲" to select wireless settings.



### A-B MARKS AND CAL SETTINGS:

Hold "▼" to enter "Menu". Single click "▲" to select A-B marks and CAL settings.



**A-B Marks:** When focus or zoom is set to “FREE” , rotate the wheel to the starting point (A) then double click “▲” to confirm. Next, rotate the wheel to the ending point (B) then double click “▲” to confirm. After the marks are set, double click “▲” to start over; double click “▼” to return the previous menu.

**Auto CAL:** To activate this function, install a Nucleus series lens control motor, then enter “Menu” and select “Auto CAL”.

**Manual CAL:** Install a Nucleus series lens control motor, then enter “Menu” and select “Manual CAL” . Double click “▲” to enter focus/zoom starting point interface, then rotate the wheel to the starting point. Double click “▲” again to enter the ending point interface, then rotate the wheel to the ending point.

# TILTA

版权由深圳铁头科技有限公司所有

需授权方可转载

本公司有权在不提前通知的情况下修改产品参数

产品尺寸仅供参考，以实物为准

**TILTA** 是深圳铁头科技有限公司的注册商标

---

官方网站: [tilta.com.cn](http://tilta.com.cn) [www.tilta.com](http://www.tilta.com)

地址: 深圳市光明新区光侨路转7号路 侨德高新科技园B栋2楼

全国服务热线: 4006 1998 67

All copyrights belong to Tilta Technology Co. Ltd.

Written permission is needed for any reproductions.

Tilta has the right to adjust product specification without notice.

All measurements are for reference only. Please see the actual products for more details.

**TILTA** is a registered trademark owned by Tilta Technology Co., Ltd.

---

Website: [www.tilta.com](http://www.tilta.com)

US Address: 2801 W Magnolia Blvd, Burbank, CA 91505

US Contact Number: +1(818)651-4991



关注微信公众号



扫码进入官网