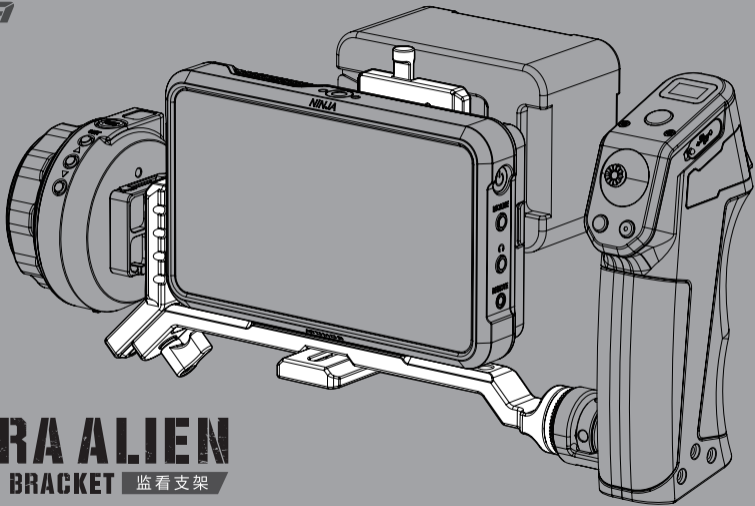


TILTA



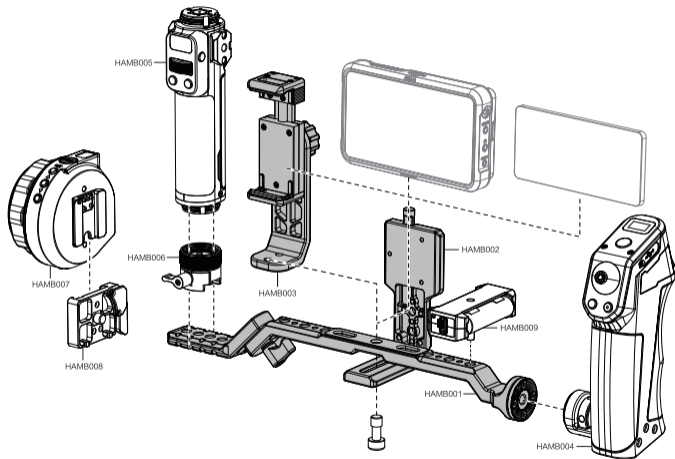
# HYDRA ALIEN

MONITOR BRACKET 监看支架

# HYDRA ALIEN MONITOR BRACKET

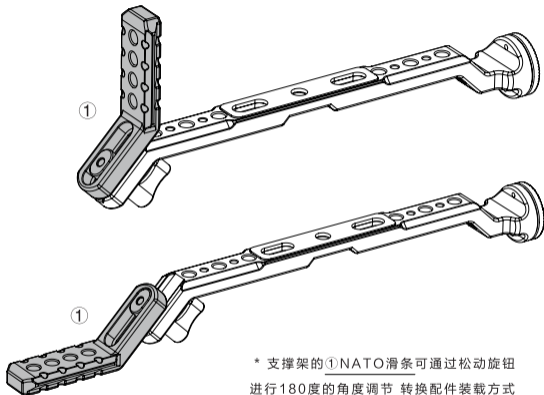
## 01 认识-监看支架

编号	产品名称	
HAMB001	支撑架(标配)	X1
HAMB002	伸缩V口扣板(标配)	X1
HAMB003	手机支架(标配)	X1
HAMB004	如影系列控制手柄(选配)	
HAMB005	双跟焦手柄(选配)	
HAMB006	NATO转接件(选配)	
HAMB007	原力N手轮(选配)	
HAMB008	原力N手轮锁紧卡件(选配)	
HAMB009	18650供电盒(选配)	



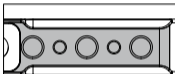
## 02

## 功能-支撑架



## ARRI牙盘

[右面]

可外接TILTA  
如影系列控制  
手柄等

## 1/4定位孔 [顶面]

可外接其他配件



## 1/4螺丝孔 [顶面中间]

可接监视器/手机支架等

防滑保护胶垫 [顶面] 协助稳固设备 避免刮蹭

## 滑槽式调节 [底面]

滑槽式灵活调节前后位置 便于后方挂载图传设备

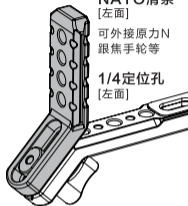
## NATO滑条\*

[左面]

可外接原力N  
跟焦手轮等

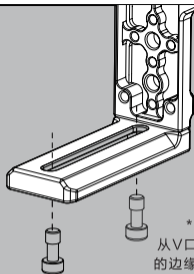
## 1/4定位孔

[左面]



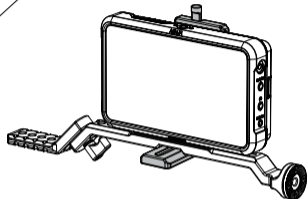
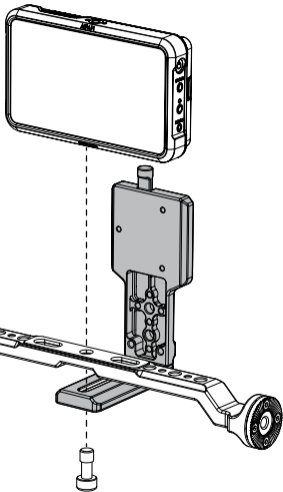
### 03

## 装配-伸缩V口扣板



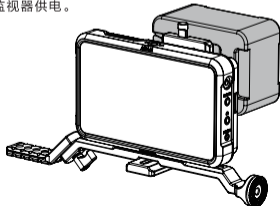
\* 螺丝仅能从V口扣板底部的边缘两端安装

1. 伸缩V口扣板通过1/4螺丝安装在支撑架上的1/4螺丝孔上，可便于拓展监视器、V口电池。

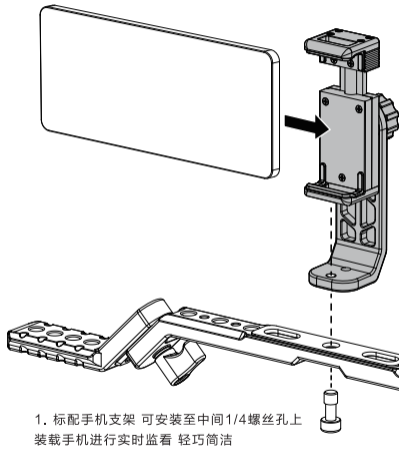


2. 监视器(选配)装配组合图(监视器最大限7寸以内)

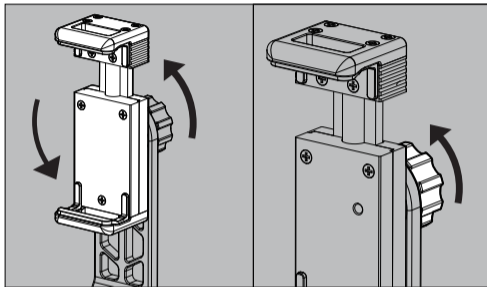
3. 伸缩V口扣板背面可挂载V口电池，给图传或监视器供电。



## 04 装配-手机支架



1. 标配手机支架 可安装至中间1/4螺丝孔上  
装载手机进行实时监看 轻巧简洁



2. 手机支架卡扣可360度旋转，  
调整合适角度。

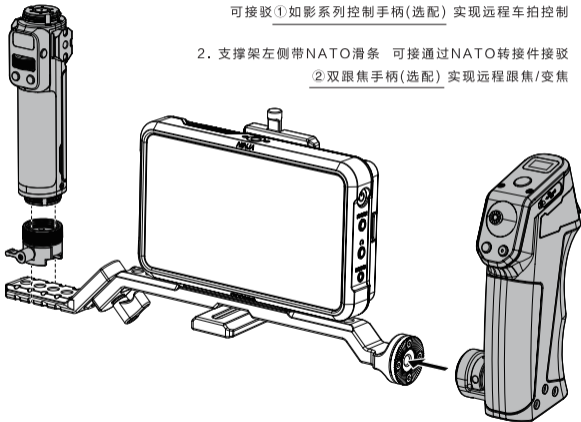
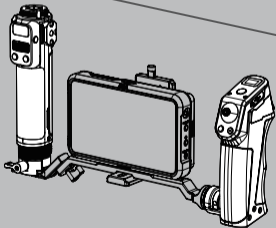
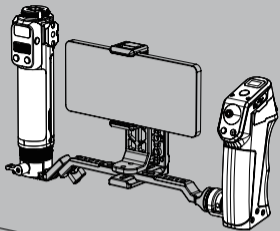
3. 调整好角度后，拧紧旋钮锁紧  
卡扣。

## 05

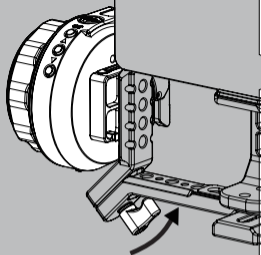
### 拓展控制/跟焦手柄(选配)

1. 支撑架右侧带标准ARRI牙盘接口上  
可接驳①如影系列控制手柄(选配) 实现远程车拍控制

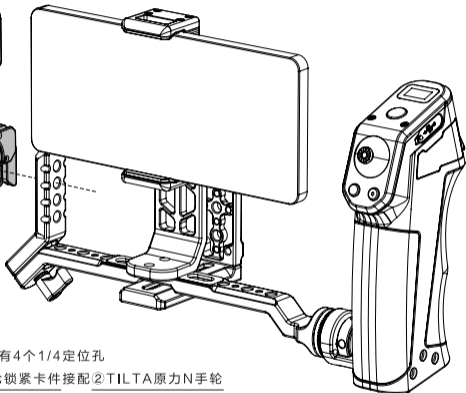
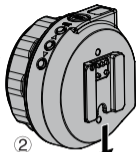
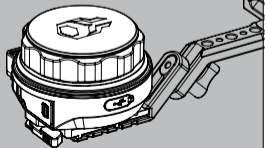
2. 支撑架左侧带NATO滑条 可通过NATO转接件接驳  
②双跟焦手柄(选配) 实现远程跟焦/变焦



## 06 拓展原力N手轮(选配)

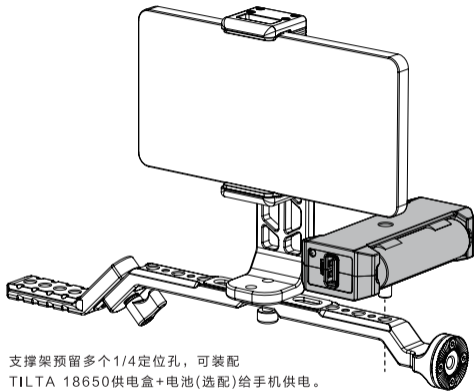
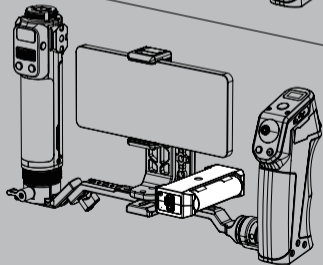
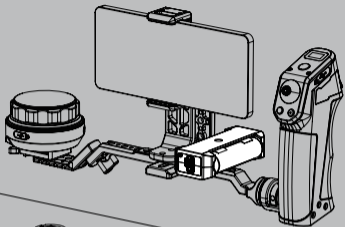


2.松动手钮后可360度旋转NATO滑条  
转换原力N手轮的装载方式 提升操控舒适度



1. 支撑架左侧预留有4个1/4定位孔  
可通过①原力N手轮锁紧卡件搭配②TILTA原力N手轮  
实现远程跟焦/变焦

## 07 拓展18650供电盒(选配)



支撑架预留多个1/4定位孔，可装配  
TILTA 18650供电盒+电池(选配)给手机供电。

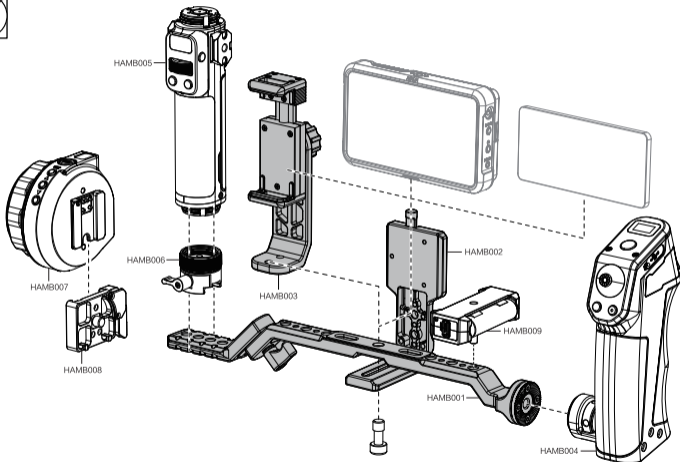
\* 18650供电盒是稳定TYPE-C 5V、DC OUT 8V常规输出接口。外接设备请按照设备额定电压操作,以免对机器造成损伤。



# HYDRA ALIEN MONITOR BRACKET

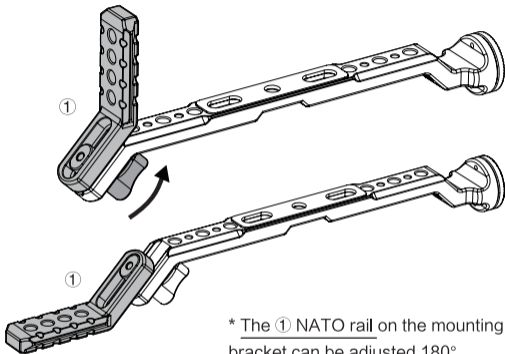
## 08 OVERVIEW

NO.	PRODUCT NAME
HAMB001	Mounting Bracket (standard) <span style="float: right;">x1</span>
HAMB002	Adjustable V-mount Battery Bracket (standard) <span style="float: right;">x1</span>
HAMB003	Phone Holder (standard) <span style="float: right;">x1</span>
HAMB004	Remote Control Handle for RS 2/Ronin S (optional)
HAMB005	Dual Channel Wireless Lens Control Handle (optional)
HAMB006	NATO Adapter (optional)
HAMB007	Nucleus-Nano Hand Wheel Controller (optional)
HAMB008	Nucleus-Nano Hand Wheel Attachment Plate (optional)
HAMB009	18650 Battery Pack (optional)

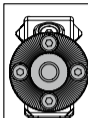


## 09

## MOUNTING BRACKET FUNCTIONS

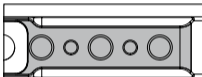


\* The ① NATO rail on the mounting bracket can be adjusted 180° .  
Flexible for various setups.



**ARRI standard rosette**  
[right]

For mounting expansions such as the Tilta Remote Control Handle for RS 2, etc.



**1/4" -20 threaded hole with locating points** [top]  
For mounting accessories



**1/4" -20 threaded hole** [middle of the top]  
For mounting monitor or phone holder

**Anti-slip pads** [top] Protects the gear from scratches and adds more security

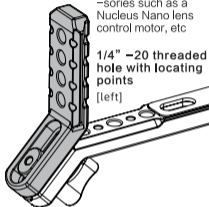


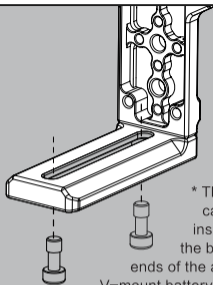
**Sliding adjustment** [bottom]  
Slides forward and backward for mounting wireless video unit.

**NATO rail\*** [left]

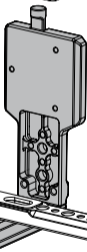
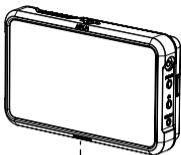
For mounting accessories such as a Nucleus Nano lens control motor, etc

**1/4" -20 threaded hole with locating points** [left]

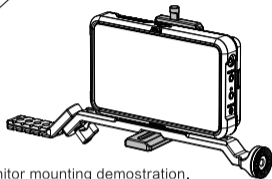


**10****INSTALLING ADJUSTABLE  
V-MOUNT BATTERY BRACKET**

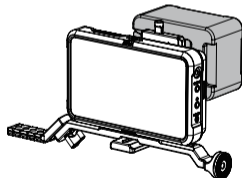
\* The screws can only be installed from the bottom two ends of the adjustable V-mount battery bracket.



1. Install the adjustable V-mount battery bracket to the mounting bracket using the 1/4" -20 screws. It's compatible with mounting accessories such as an on-board monitor, V-mount battery, etc.



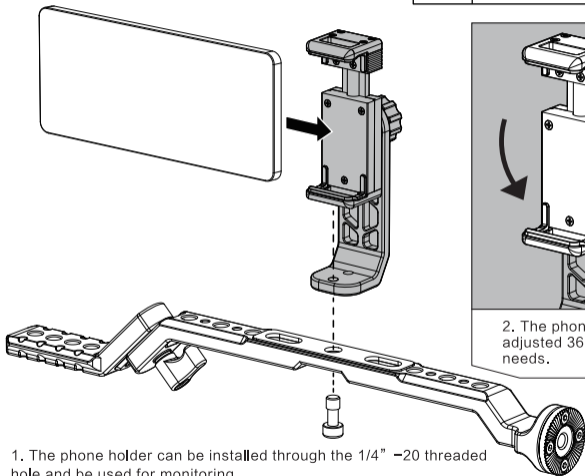
2. Monitor mounting demonstration.  
(Maximum monitor size is 7" )



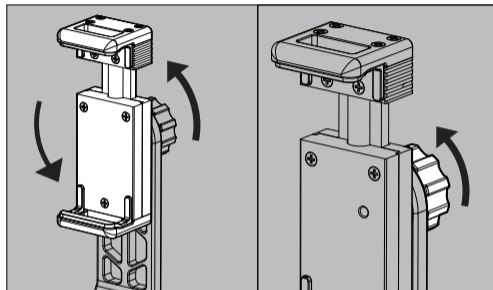
3. V-mount battery can be mounted on the back of the adjustable V-mount battery bracket to power a wireless video unit or on-board monitor.

# 11

## INSTALLING PHONE HOLDER



1. The phone holder can be installed through the 1/4" -20 threaded hole and be used for monitoring.



2. The phone holder can be adjusted 360° for operating needs.

3. Tighten the tie down after adjusting the bracket to the desired position.

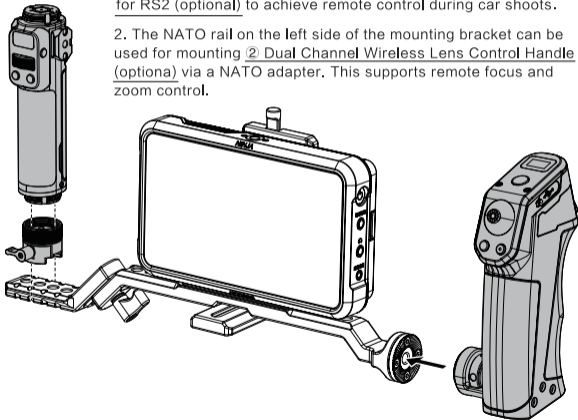
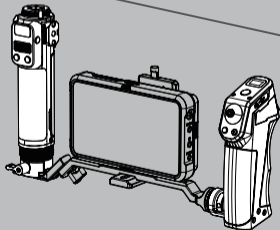
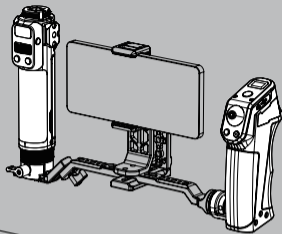
## 12

### INSTALLING REMOTE CONTROL AND FOCUS HANDLE (OPTIONAL)



1. The ARRI standard rosette on the right side of the mounting bracket can be used for mounting ① Remote Control Handle for RS2 (optional) to achieve remote control during car shoots.

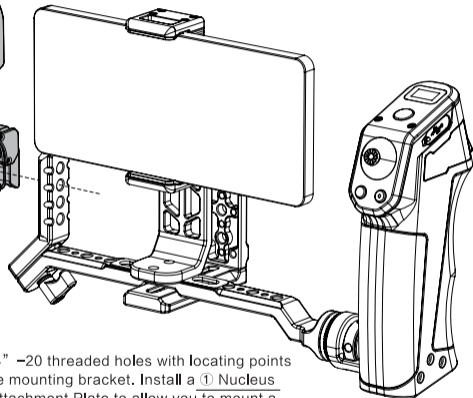
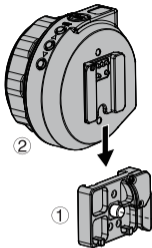
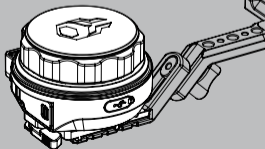
2. The NATO rail on the left side of the mounting bracket can be used for mounting ② Dual Channel Wireless Lens Control Handle (optional) via a NATO adapter. This supports remote focus and zoom control.



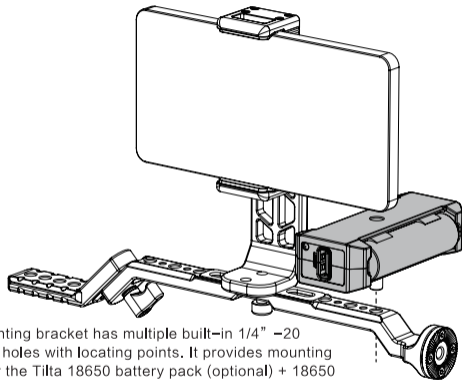
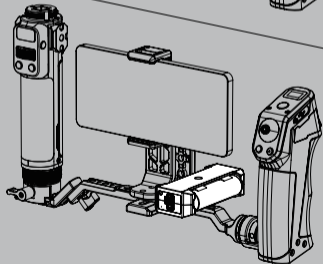
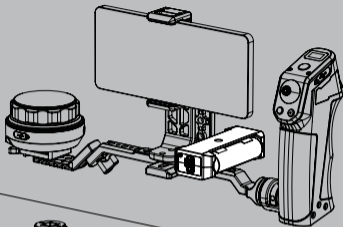
# 13

## INSTALLING NUCLEUS NANO HAND WHEEL (OPTIONAL)

2. Loosen the tie down screw to adjust the NATO rail 180° and adjust the Nucleus Nano lens control motor to fit your operating position.



1. There are four 1/4" -20 threaded holes with locating points on the left side of the mounting bracket. Install a ① Nucleus Nano Hand Wheel Attachment Plate to allow you to mount a ② Nucleus Nano Hand Wheel to control focus or zoom remotely.

**14****INSTALLING 18650 BATTERY  
PACK (OPTIONAL)**

The mounting bracket has multiple built-in 1/4" -20 threaded holes with locating points. It provides mounting space for the Tilta 18650 battery pack (optional) + 18650 batteries (optional).

\* The 18650 battery pack has 5V USB and 8V DC power outputs. Please check the voltage of your equipment before plugging in to avoid any possible damage.

# TILTA

版权由深圳铁头科技有限公司所有

需授权方可转载

本公司有权在不提前通知的情况下修改产品参数

**TILTA** 是深圳铁头科技有限公司的注册商标

---

官方网站: [tilta.com.cn](http://tilta.com.cn) [www.tilta.com](http://www.tilta.com)

中国地址: 深圳市光明新区光侨路转7号路 侨德高新科技园B栋2楼

全国服务热线: 4006 1998 67

All copyrights belong to Tilta Technology Co. Ltd.

Written permission is needed for any reproductions.

Tilta has the right to adjust product specification without notice.

**TILTA** is a registered trademark owned by Tilta Technology Co., Ltd.

---

**Website:** [www.tilta.com](http://www.tilta.com)

**US Address:** 2801 W Magnolia Blvd, Burbank, CA 91505

**US Contact Number:** +1(818)651-4991



关注微信公众号



扫码进入官网