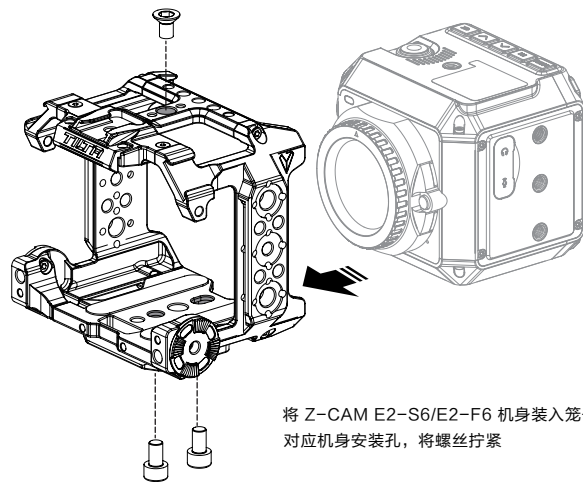


# Z-CAM E2-C

CAGE TOP HANDLE BASEPLATE ACCESSORIES

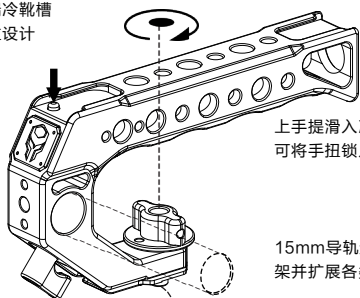
1



将 Z-CAM E2-S6/E2-F6 机身装入笼子  
对应机身安装孔，将螺丝拧紧

2

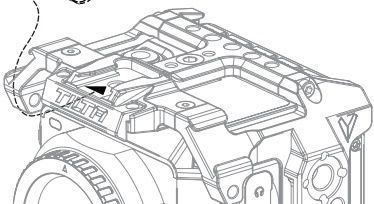
上手提前端冷靴槽  
带保险限位设计



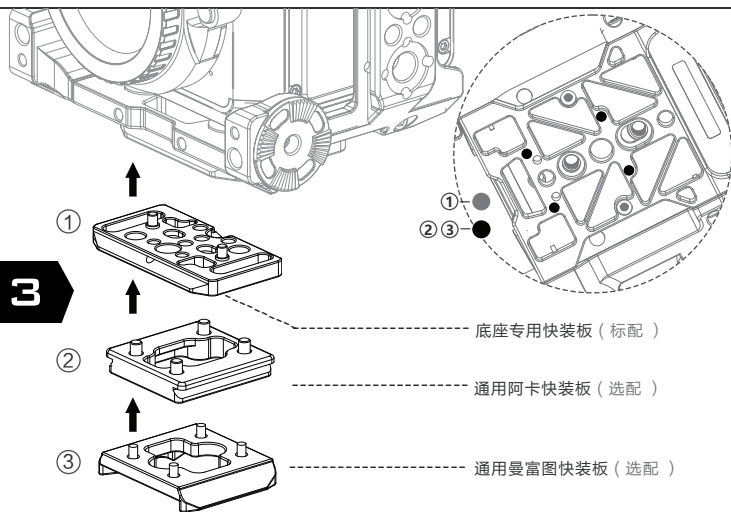
上手提滑入冷靴后  
可将手扭锁入螺纹孔

15mm导轨适配器，可装载EVA支  
架并扩展各类支撑附件

上手提固定方式  
适配TILTA所有  
战术版套件



3



①

②

③

①

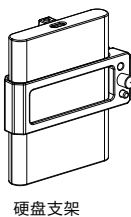
②③

底座专用快装板 (标配)

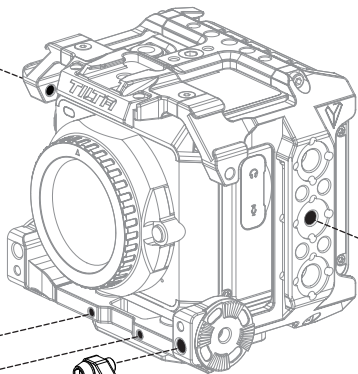
通用阿卡快装板 (选配)

通用曼富图快装板 (选配)

4



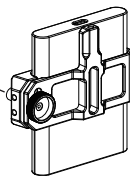
硬盘支架



镜头转接环支撑

单孔导轨适配器

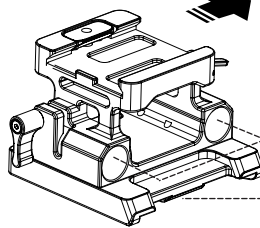
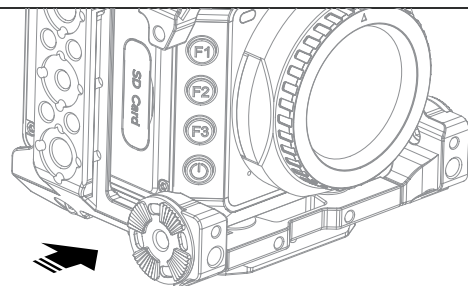
适配原力N电机及其他单边跟焦系统



硬盘支架

5

将机身完全滑入底座  
安全销弹起，锁紧即可



15mm导轨适配器  
可装载15mm导轨  
扩展各类支撑附件

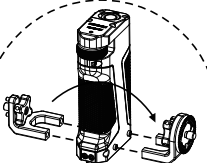
燕尾滑槽

可搭配通用燕尾滑板

6

ARRI牙盘接驳手柄  
可直接与机身上的  
牙盘连接

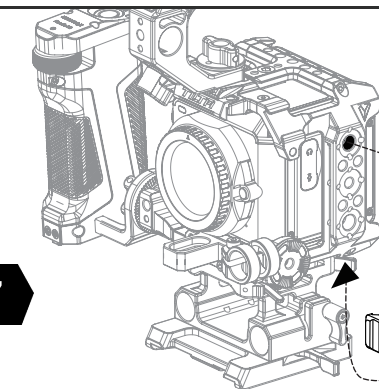
通用型转接齿盘，可用于  
ARRI 接口手柄 / 齿盘接口  
手柄实现左右通用



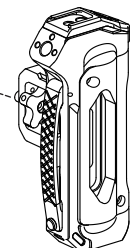
注：更换手柄卡件时  
位置也需更换

机身预备多个1/4、3/8螺纹孔  
阿莱通用定位孔作为扩展功能

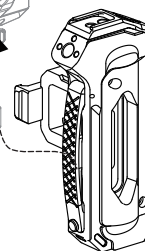
7



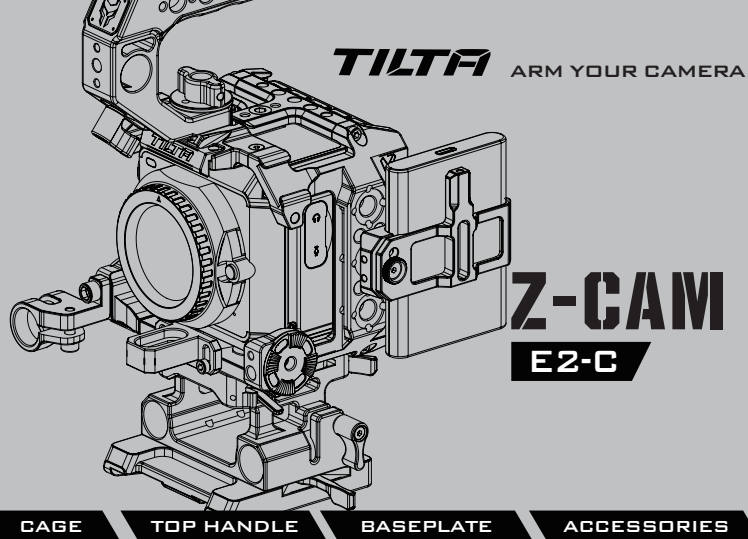
机身侧边可装载阿莱孔手柄  
和NATO燕尾接驳手柄



阿莱孔手柄



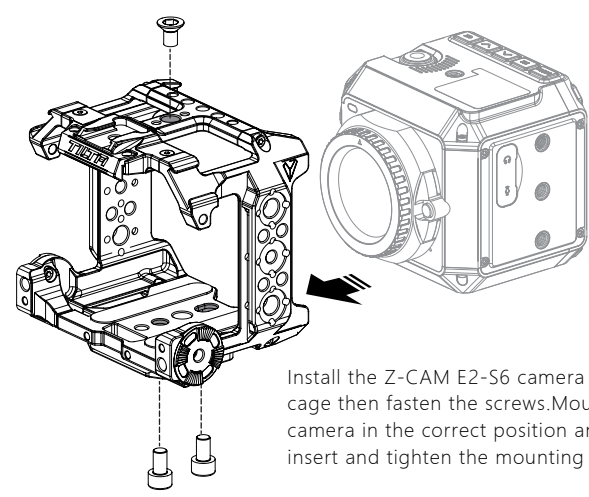
NATO燕尾  
接驳手柄



# Z-CAM E2-C

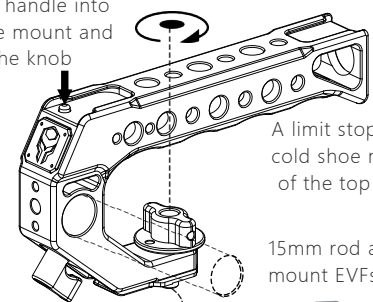
CAGE TOP HANDLE BASEPLATE ACCESSORIES

**1**



Install the Z-CAM E2-S6 camera into the cage then fasten the screws. Mount the camera in the correct position and then insert and tighten the mounting screw.

Slide the top handle into the cold shoe mount and then fasten the knob (Optional).

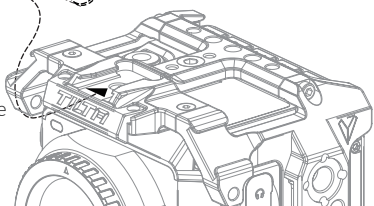


A limit stop is located on the cold shoe mount in the front of the top handle.

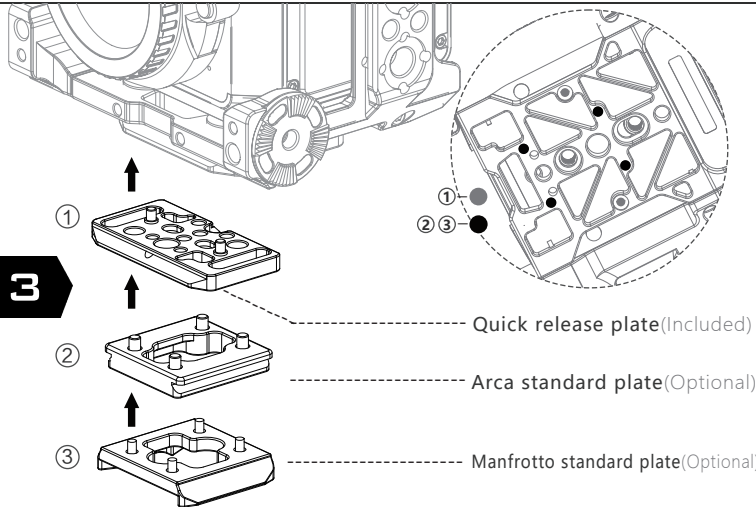
15mm rod adapter can be used to mount EVFs or other accessories.

**2**

Top handle is compatible with all Tiltaing cages.



**3**

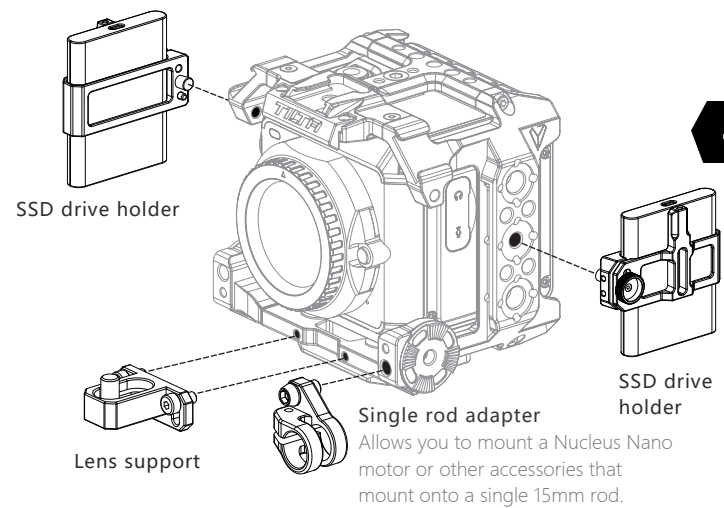


Quick release plate(Included)

Arca standard plate(Optional)

Manfrotto standard plate(Optional)

**4**



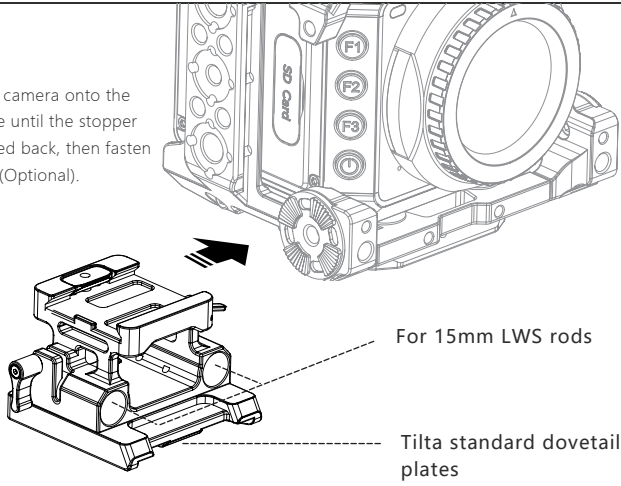
SSD drive holder

SSD drive holder

Single rod adapter  
Allows you to mount a Nucleus Nano motor or other accessories that mount onto a single 15mm rod.

**5**

Slide the camera onto the baseplate until the stopper is bounced back, then fasten the lever(Optional).

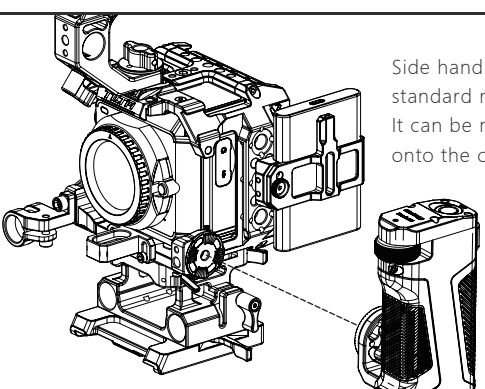


For 15mm LWS rods

Tilta standard dovetail plates

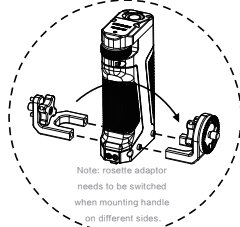
**6**

Side handle with Arri standard rosette connector. It can be mounted directly onto the camera.



The cage is equipped with 1/4, 3/8 screw holes and Arri standard location holes.

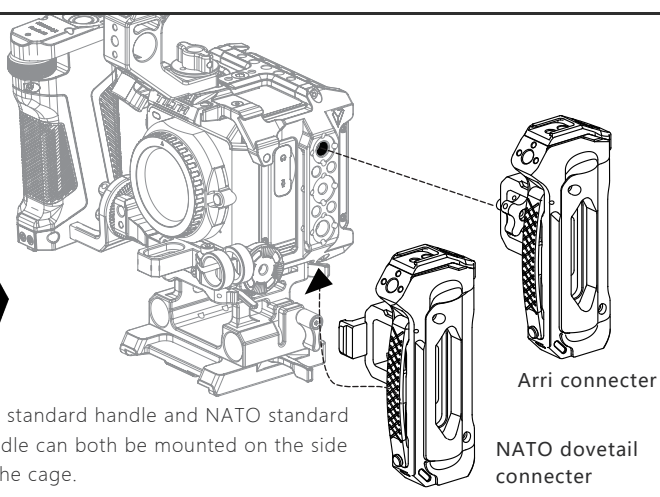
standard converting rosette can be used for mounting Arri handle on both sides.



Note: rosette adaptor needs to be switched when mounting handle on different sides.

**7**

Arri standard handle and NATO standard handle can both be mounted on the side of the cage.



Arri connector

NATO dovetail connector