

# HYDRA ALIEN

CAR MOUNTING SYSTEM

• ARM •

车拍轻便支架使用方式

## 免责声明和警告

感谢您购买铁头科技有限公司 (TILTA) 产品。本文所提及的内容关系到您的安全以及合法权益与责任。使用本产品之前, 请仔细阅读本文以确保已对产品进行正确的设置。不遵循和不按照本文的说明与警告来操作可能会给您和周围的人带来伤害, 损坏本产品或其它周围的物品。本文档及所有相关的文档最终解释权归铁头科技有限公司所有。如有更新, 恕不另行通知。请访问 [www.TILTA.com](http://www.TILTA.com) 官方网站以获取最新的产品信息。

请勿自行拆卸吸盘改变其机械结构。我们出厂前已完成调试, 否则将会导致吸盘性能下降及损坏。铁头科技有限公司 (TILTA) 对于直接或间接使用本产品而造成的损坏、伤害以及任何法律责任不予负责。用户应遵循包括但不限于本文提及的所有安全指引。

一旦使用本产品, 即视为您已经仔细阅读免责声明与警告, 理解、认可和接受本声明全部条款和内容。您承诺对使用本产品以及可能带来的后果负全部责任。您承诺仅出于正当目的使用本产品, 并且同意本条款以及铁头科技有限公司 (TILTA) 制定的任何相关条例、政策和指引。

TILTA 是深圳市铁头科技有限公司及其关联公司的商标。本文出现的产品名称、品牌等, 均为其所属公司的商标或注册商标。

如果您在使用中遇到无法解决的情况请从公司客服获取帮助  
服务热线: 4006 1998 67

## DISCLAIMER AND WARNING

Thank you for choosing Tilta products. This content has been created in regards to your safety, responsibilities, and legal rights as the customer. Please carefully read the text prior to using the product to ensure that you fully understand the correct procedures and safety precautions before use. Incorrect operation may potentially lead to harm to you, others around you, the product itself, or other nearby objects. Tilta technology CO., Ltd. reserves the right to final interpretation of this content and other related information. Potential updates to the product may occur without prior notice. Please visit [www.tilta.com](http://www.tilta.com) for the latest product information.

Please do not carry out any unauthorized repair to Hydra Alien Car Mounting System or change its mechanical structures. Any unauthorized operation may cause damage to the product. Tilta technology Co., Ltd will not take responsibility for any damage that was caused by unauthorized operation.

By using this product, you will be regarded as understanding this disclaimer as well as accepting of all policies and regulations put forth by Tilta technology Co., Ltd.

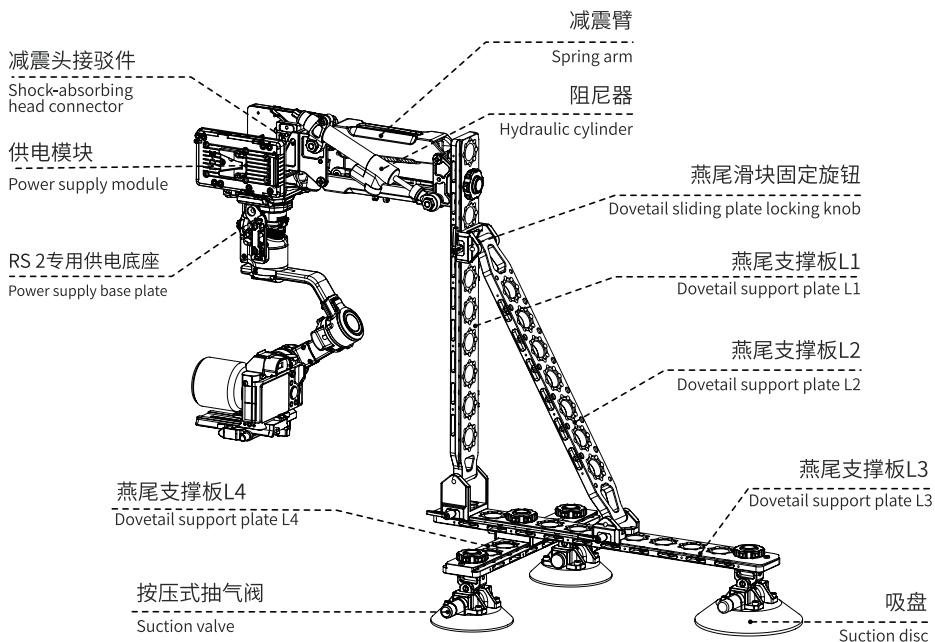
Tilta is a registered trademark that belongs to Tilta technology Co., Ltd and its subsidiary company. All product and brand names that are mentioned in this content belong to Tilta technology Co., Ltd and its subsidiary company.

Please feel free to contact us for any inquiries.

Customer service email: [sales@tilta.com](mailto:sales@tilta.com)

## 认识 ALIEN ARM

### INTRODUCTION OF ALIEN ARM



在摄影领域中，车内拍摄及跟车拍摄在摄影镜头中越来越多，经常需要拍摄汽车内外的各种对话、动作、等镜头来实现故事情节的延伸。由于汽车的运动状态总是发生快速的变化，这就要求摄影机在高速运动的汽车中达到良好的拍摄效果。因此，车拍支架成了拍摄环节中必不可少的设备了。

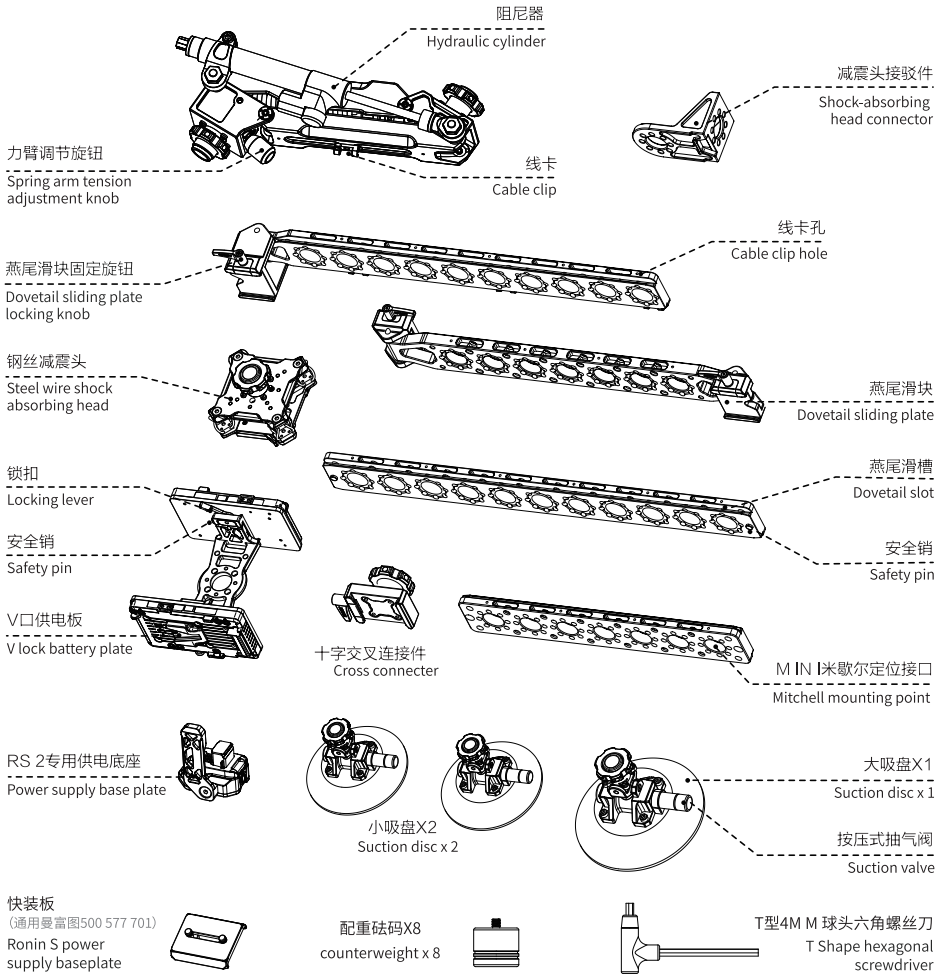
如影 S 车拍轻便支架的组成包括三个部分，分别是载重吸盘、多功能滑板支撑组合、减震系统。这套系统可以根据具体的拍摄需求吸附在任何一辆家用车上，除了推荐的四种安装方式外还有无限种可能，他可以像乐高一样搭建出你想要的机位，可前可后，可高可低，整套设备配有四块长短不一的快装板，一条载重 7.5kg 减震臂，还有一个减震头，一个供电模块，和三个大小不一的吸盘。只要有能让吸盘吸附的地方，他就能帮你实现高速车拍。包括我们推出更多的选配件，根据不同的需求可以任意组合安装，实现更有冲击力的镜头语言，并满足能够方便的拆卸和运输。

Nowadays, in the field of cinema, in-car and car-following shots are becoming more and more common in films. Filmmakers will often need to shoot scenes from inside or outside of the car to keep the story line flowing. Because of the erratic motion of a moving vehicle, cameras have been put into tougher challenges. Therefore, car mount stabilization systems are considered to be the most essential piece of equipment in this kind of situation.

This Ronin S lightweight car mount stabilization system is divided into three parts: the heavy load suction discs, the multi-functional sliding support platform and the shock absorbing system. This stabilization system can be mounted to any vehicle to comfortably fulfill your shooting requirements. Apart from the five mounting configurations that we recommend, you also can build your own LEGO style stabilization system in various ways. The whole system is equipped with four quick release plates that vary in length, one 7.5kg payload shock absorbing arm, one shock absorbing head and three different sized suction discs. Moreover, we provide a variety of accessories to achieve even more possibilities.

# 了解 ALIEN ARM

## INTRODUCTION OF ALIEN ARM



### 选配清单

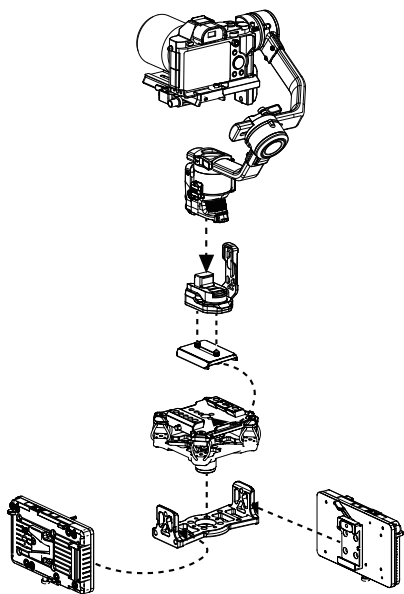
Optional accessories

				
如影 S1 供电底座 Power Supply Base Plate for Ronin S	RS 2 无线接收盒 Wireless Control Receiver Module for RS 2	如影 S1 无线接收盒 Wireless Control Receiver Module for RS 2	监看支架 Hydra Alien Monitor Bracket	无线控制手柄 Remote Control Handle for RS 2/Ronin S

注: 另标配安全绳一根  
Notes: A camera strap is included

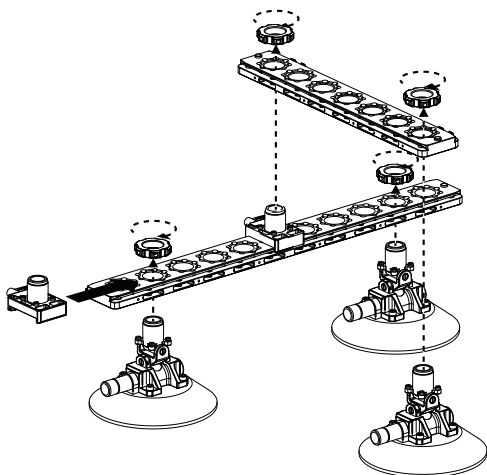
## 减震供电安装方式

Install shock-absorbing power supply system



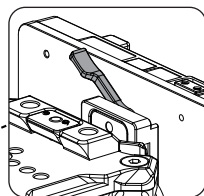
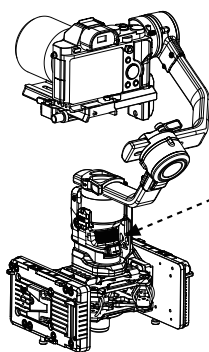
## 支架吸盘安装方式

Install suction disc platform



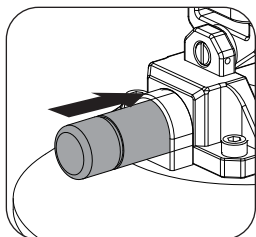
注：安装吸盘时应先安装十字交叉连接件。

Note: Make sure the cross connector is installed before mounting the suction discs.



供电板装好锁扣卡紧

Install the battery plate, then pull the lever to lock.



将吸盘放在平滑位置连续按压抽空气阀直到活塞杆上的白色圈置于在泵体内

(如果白色圈在短时间内回到泵体外说明有漏气现象需要及时检查)

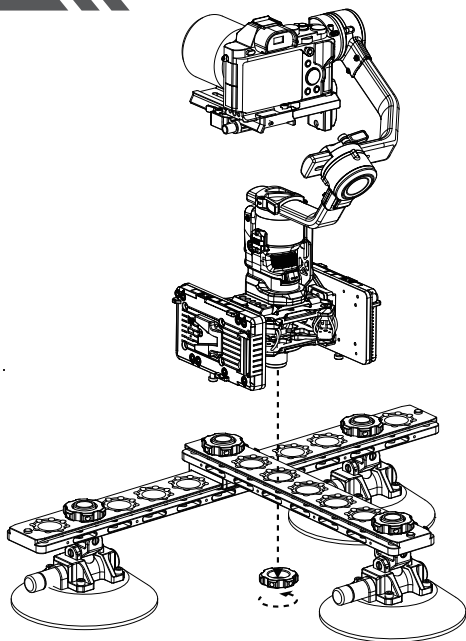
Mount the suction discs to a smooth surface, then press the suction valve until the white ring is covered by the valve.

(If the white ring moves out of the valve in a short period of time, please check immediately for air leakage.)

## 01 水平立装方式 Mounting horizontally

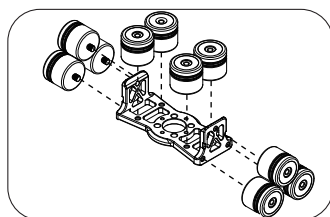
安装简单，适合较平整的方位  
例如车顶、引擎盖、尾箱等位置

Suitable for mounting on flat surface, e.g.  
car roof, car bonnet etc.

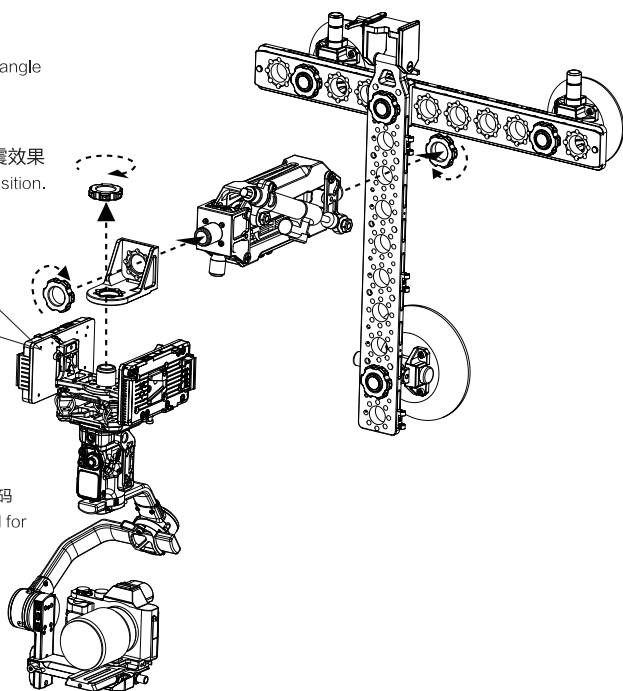


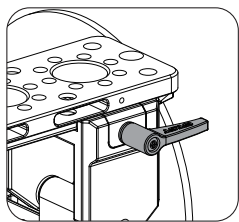
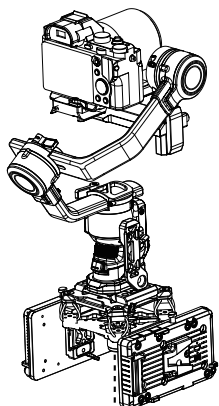
## 02 垂直低机位安装方式 Mounting vertically for low shooting angle

此安装方式搭配减震臂后具有良好的减震效果  
Shock-absorbing arm is required in this position.



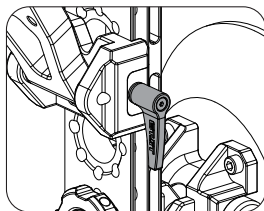
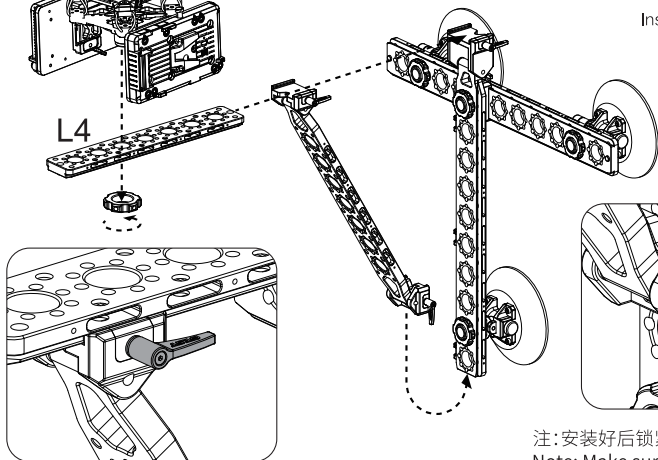
注：若无需外部供电可将供电板拆卸替换配重砝码  
Note: Power supply system can be removed for  
installing counterweights.





**03** 垂直支撑安装方式 (无需减震臂)  
Mounting vertically without shock  
-absorbing arm

安装时燕尾支撑板L4保持水平状态  
Install part L4 horizontally.

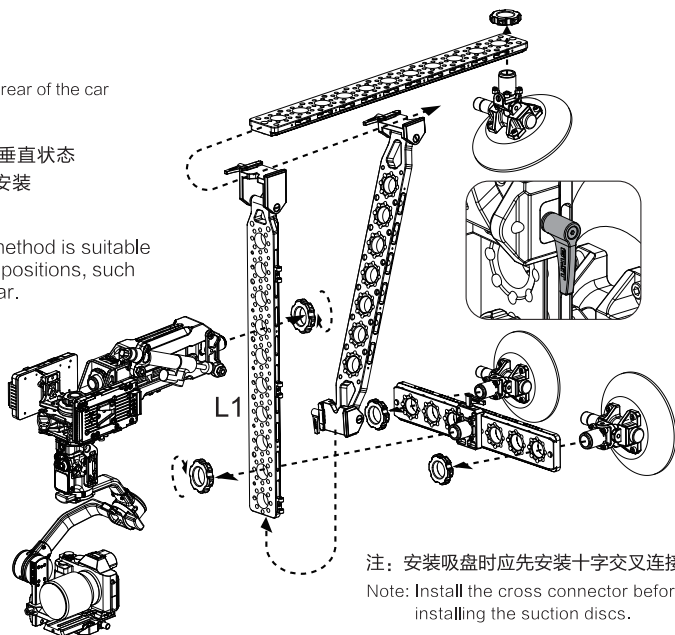


注: 安装好后锁紧燕尾滑块  
Note: Make sure the sliding plate is fully fastened.

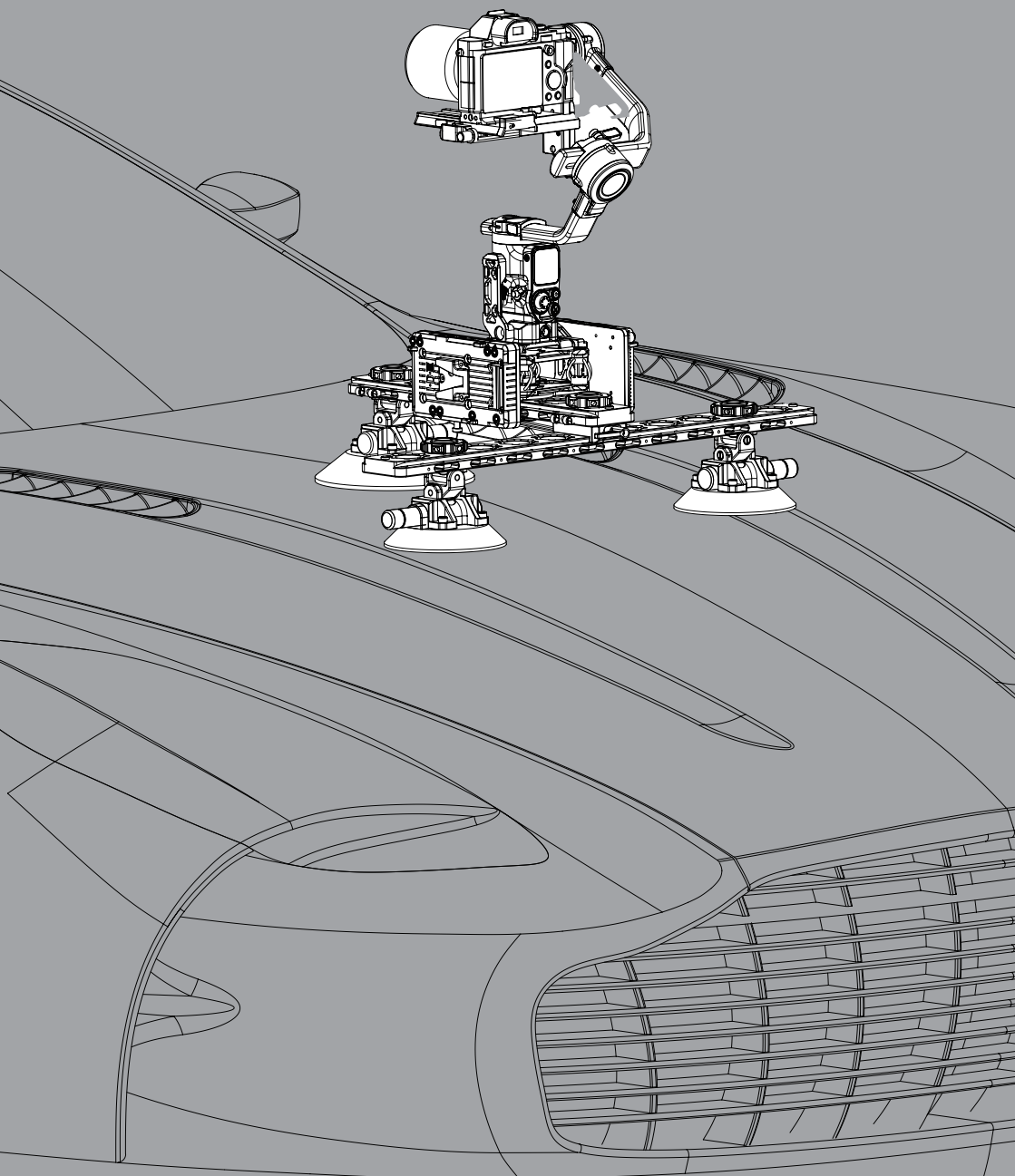
**04** 车头&车尾安装方式  
Mounting on the front or rear of the car

安装燕尾支撑板L1最好保持垂直状态  
此安装方式能在复杂的方位安装  
例如车尾、车头等

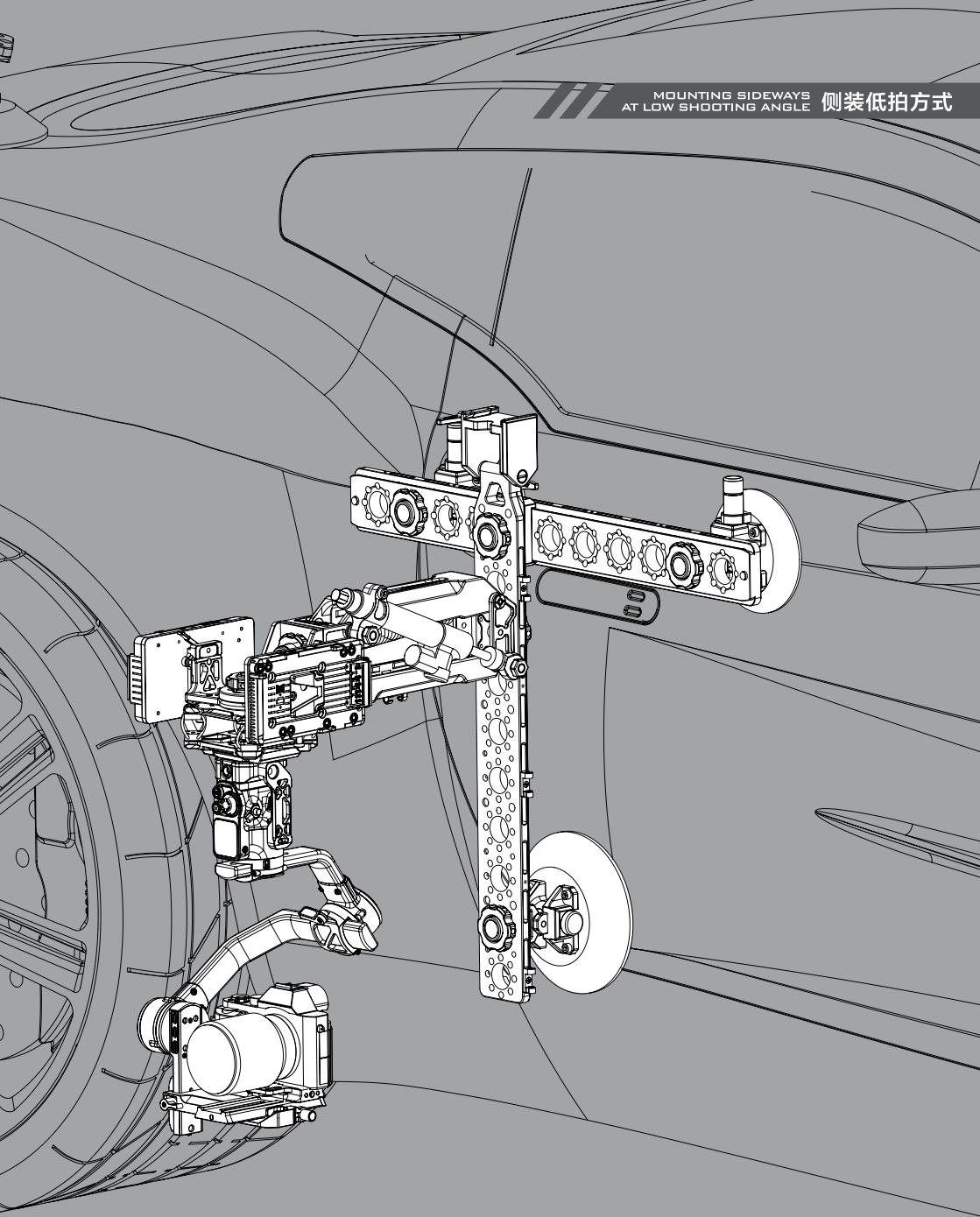
Keep part A vertical. This method is suitable  
when mounting in complex positions, such  
as the rear or front of the car.

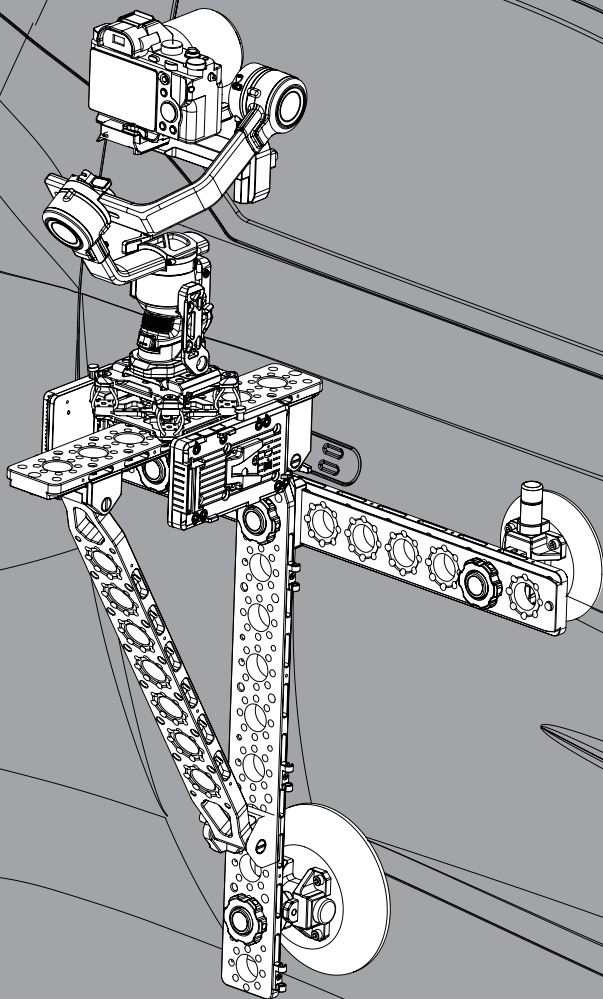


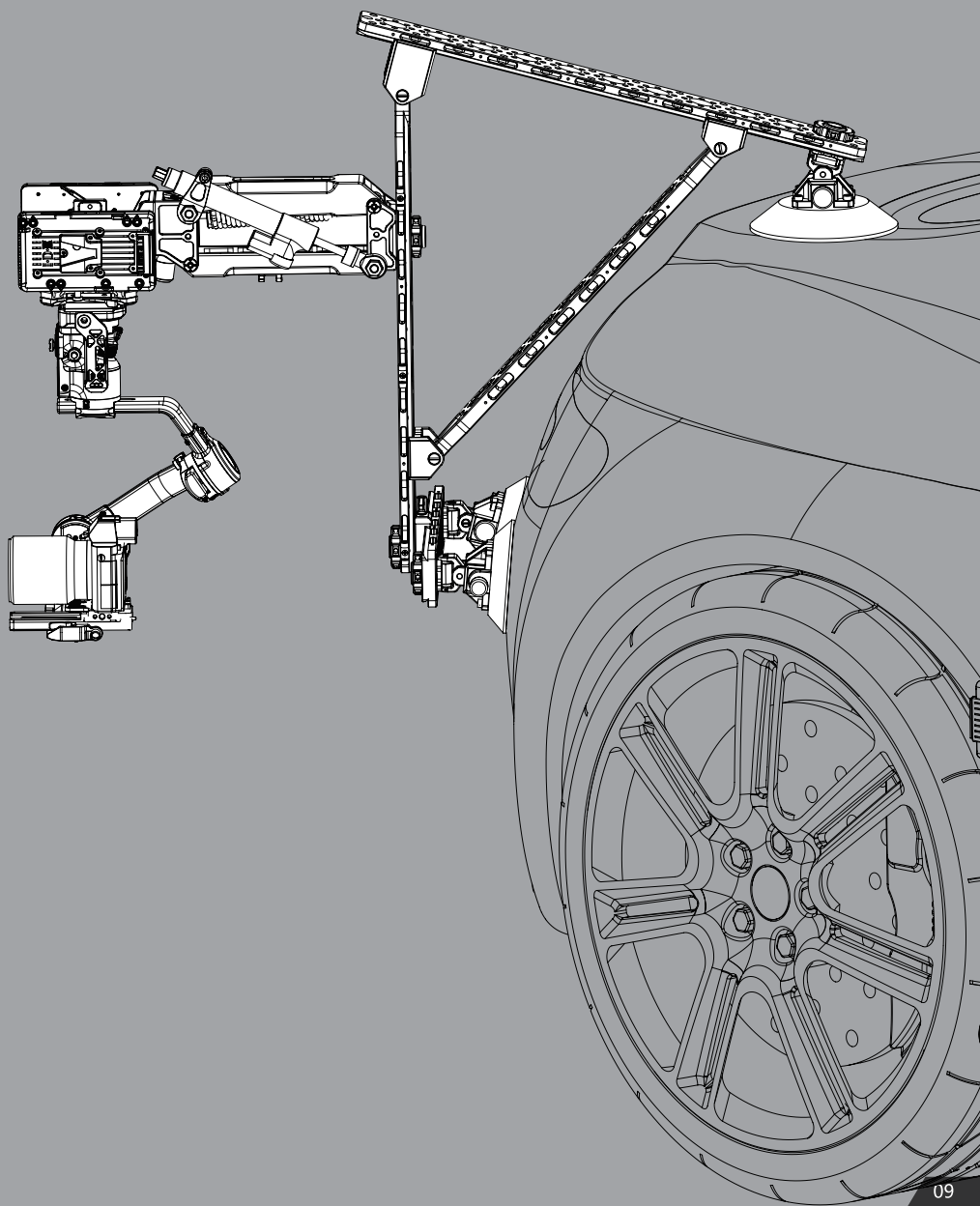
注: 安装吸盘时应先安装十字交叉连接件  
Note: Install the cross connector before  
installing the suction discs.



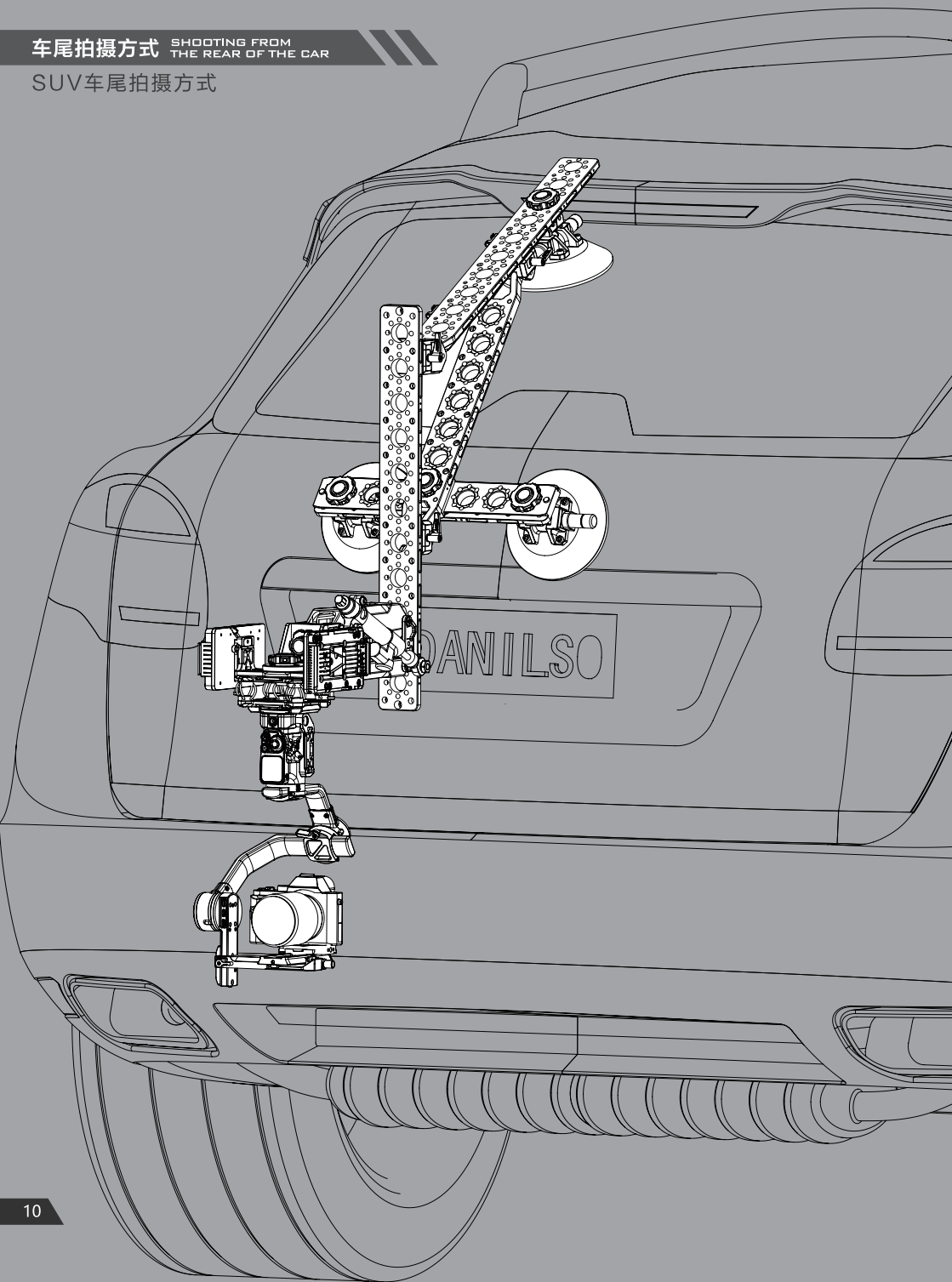


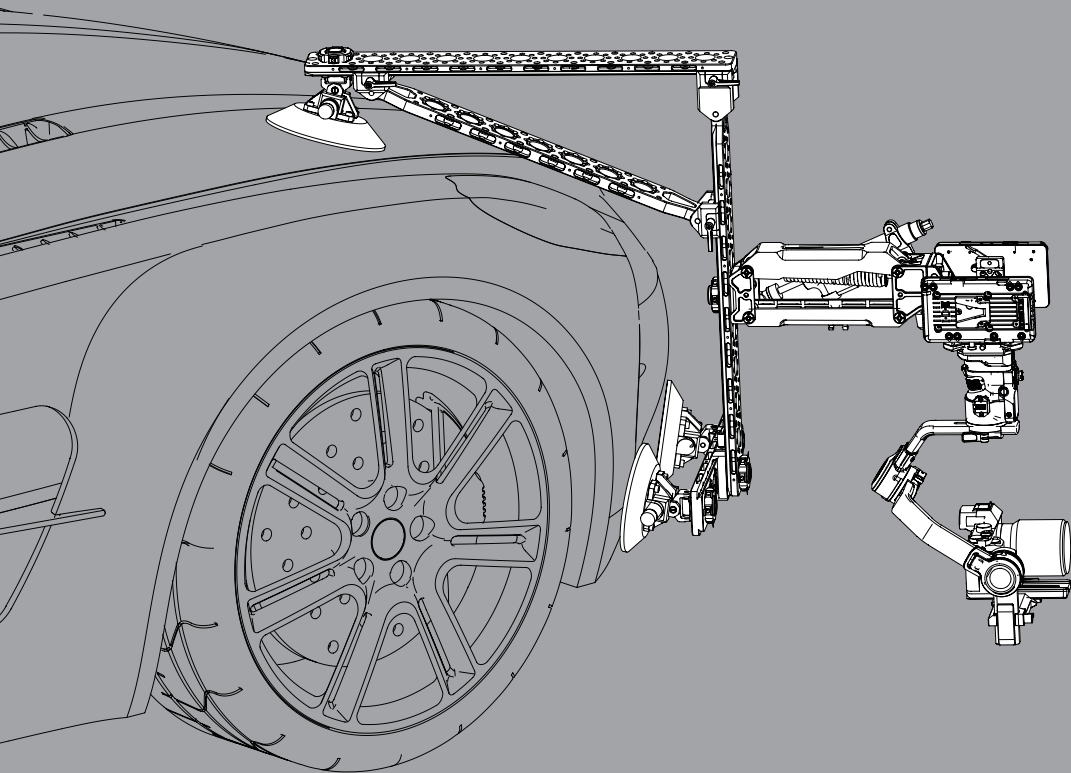






SUV车尾拍摄方式







扫码进入官网



扫码关注微信公众号

 [www.facebook.com/tiltausa](http://www.facebook.com/tiltausa)

 [www.instagram.com/tiltamax/](http://www.instagram.com/tiltamax/)

 [www.youtube.com/c/TILTAMAX/](http://www.youtube.com/c/TILTAMAX/)

# **TILTA**

版权由深圳铁头科技有限公司所有

需授权方可转载

本公司有权在不提前通知的情况下修改产品参数

产品尺寸仅供参考，以实物为准

**TILTA** 是深圳铁头科技有限公司的注册商标

---

官方网站: [tilta.com.cn](http://tilta.com.cn) [www.tilta.com](http://www.tilta.com)

中国地址: 深圳市光明新区光侨路转7号路 侨德高新科技园B栋2楼

全国服务热线: 4006 1998 67

All copyrights belong to Tilta Technology Co. Ltd.

Written permission is needed for any reproductions.

Tilta has the right to adjust product specification without notice.

All measurements are for reference only. Please see the actual products for more details.

**TILTA** are registered trademarks owned by Tilta Technology Co., Ltd.

---

Website: [www.tilta.com](http://www.tilta.com)

US Address: 2801 W Magnolia Blvd, Burbank, CA 91505

US Contact Number: +1(818)651-4991



**TILTA**