

TILTA

DUAL HANDLE POWER SUPPLY BRACKET FOR RS 2

供电双手持套装

v1.0 2020.11

免责声明和警告

感谢您购买 TILTA 产品。本文所提及的内容关系到您的安全以及合法权益与责任。

使用本产品之前, 请仔细阅读本文以确保已对产品进行正确的设置。不遵循和不按照本文的说明与警告来操作可能会给您和周围的人带来伤害, 损坏本产品或其它周围的物品。本文档及本产品所有相关的文档最终解释权归 TILTA 所有。如有更新, 恕不另行通知。请访问 www.tilta.com 官方网站以获取最新的产品信息。

一旦使用本产品, 即视为您已经仔细阅读免责声明与警告, 理解、认可和接受本声明全部条款和内容。您承诺对使用本产品以及可能带来的后果负全部责任。您承诺仅出于正当目的使用本产品, 并且同意本条款以及 TILTA 制定的任何相关条例、政策和指引。

TILTA 对于直接或间接使用本产品而造成的损坏、伤害以及任何法律责任不予负责。用户应遵循包括但不限于本文提及的所有安全指引。

即使存在上述规定, 消费者权益依然受当地法律法规所保障, 并不受本免责声明影响。

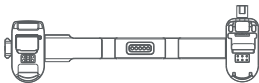
TILTA 是深圳市铁头科技有限公司及其关联公司的商标。本文出现的产品名称、品牌等, 均为其所属公司的商标或注册商标。

In the Box | 物品清单



Mechanical Extension for Dual Handle
Power Supply Bracket

扩展臂
× 1



Power Supply Module for Dual Handle
Power Supply Bracket

供电双手持-供电模块
× 1

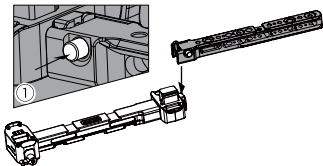


Rear Operating Handle

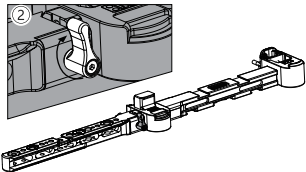
多用提壶手柄
× 1

使用

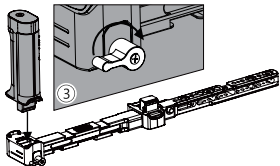
1. 取出扩展臂，对准限位，装到供电底座侧边的NATO端口上。



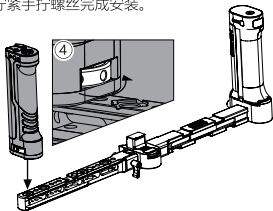
2. 拧紧扩展臂侧边手钮螺丝，完成扩展臂固定安装。



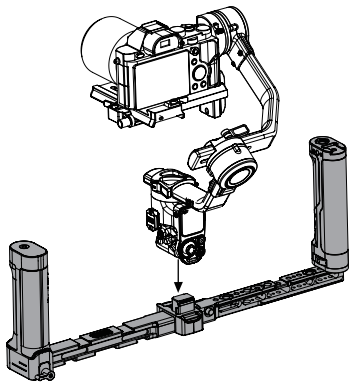
3. 将DJI RS 2电池安装至供电底座上，拧紧旋钮。



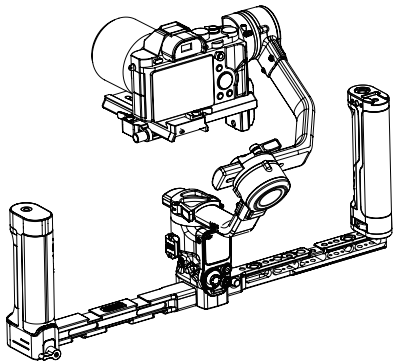
4. 取出手柄安插至扩展臂1/4"-20 防偏转螺孔上拧紧手拧螺丝完成安装。



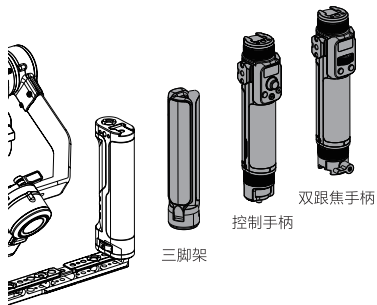
5. 将DJI RS 2安装至供电双手持套装上。



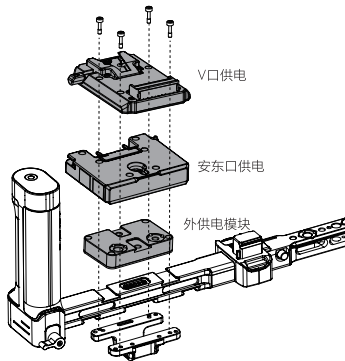
6. 完成供电双手持安装。



7. 双手持也可以安装三脚架，控制手柄，双跟焦手柄等。
(选配)



8. 供电底座模块可安装V口供电，安东供电也可安装外供电模块给监视器，补光灯等设备供电。
(选配)



DISCLAIMERS AND WARNINGS



Thank you for purchasing a TILTA product. What is mentioned in this article is related to your safety, legal rights and liabilities. Before using this product, please read this article carefully to ensure a proper configuration. Failure to follow the instructions or any disregard for the warnings may cause harm to you and other people, and may cause damage to this product and surrounding objects. TILTA owns the right to final interpretation of this document and all other collateral documents. Updates on information are subject to change without prior notice. For up-to-date product information, please visit the official website, www.tilta.com.

By using this product, you hereby signify that you have read this disclaimer and warning carefully and that you understand, agree to, and accept the terms and conditions herein. You agree that you are solely responsible for your own conduct while using this product and for any consequence thereof. You agree to use this product only for proper purposes and abide by all the terms, policies and guidelines TILTA has made and may make.

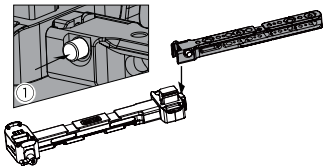
TILTA accepts no liability for damage, injury or any legal responsibility incurred directly or indirectly from the use of this product. The user shall observe safe practices including, but not limited to, those set forth in this document.

Despite the terms mentioned above, consumers' rights and interests are still protected by local laws and regulations, and are not affected by this disclaimer.

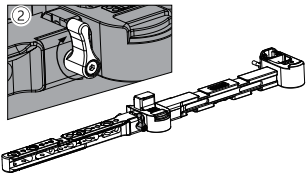
TILTA is a trademark of Shenzhen TILTA Technology Co., Ltd. and its affiliated companies. Product names and brands in this document are trademarks or registered trademarks of its affiliates.

INSTRUCTIONS

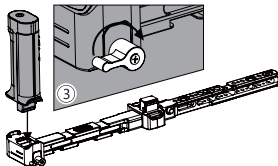
1. Align the mechanical extension with the locating pin. Slide onto the NATO connector on the side of the power supply module.



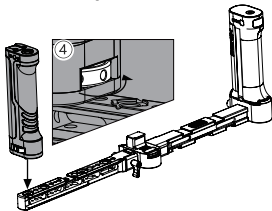
2. Tighten the screw on the side of the mechanical extension to secure the installation.



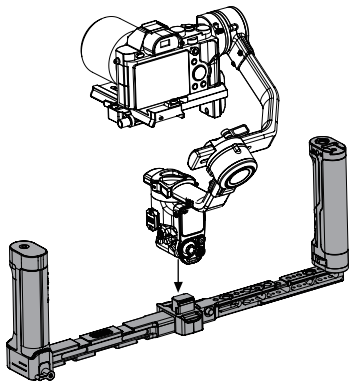
3. Attach the DJI RS 2 battery to the power supply module and tighten the tie down.



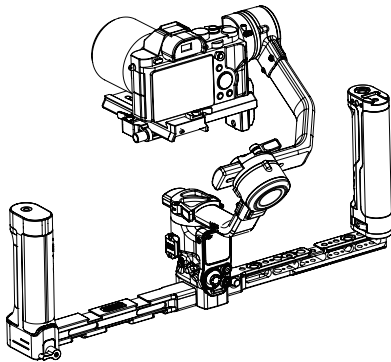
4. Attach the handle to the 1/4" 20 Arri standard mounting point of the mechanical arm. Tighten the screw to finish the installation.



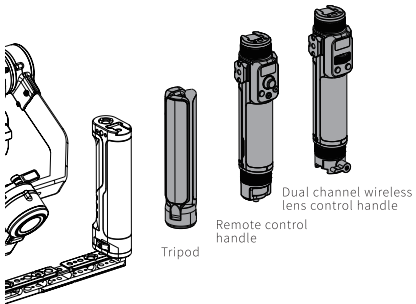
5. Attach the DJI RS 2 to the dual handle power supply bracket.



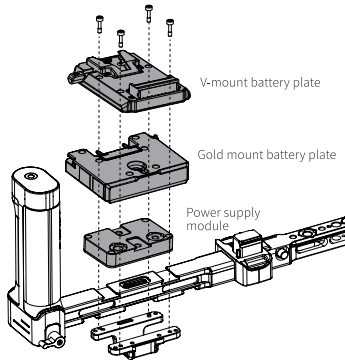
6. The setup is now complete.



7. The dual handle power supply bracket can also be paired with a tripod, remote control handle, dual channel wireless lens control handle, etc. (Optional)



8. The power supply module is compatible with either a V-mount or gold mount battery plate, which can be used to power on-board monitors and small LED lights, etc. (Optional)



TILTA

版权由深圳铁头科技有限公司所有

需授权方可转载

本公司有权在不提前通知的情况下修改产品参数

产品尺寸仅供参考，以实物为准

TILTA 是深圳铁头科技有限公司的注册商标

官方网站: tilta.com.cn www.tilta.com

中国地址: 深圳市光明新区光侨路转7号路 侨德高新科技园B栋2楼

全国服务热线: 4006 1998 67

All copyrights belong to Tilta Technology Co. Ltd.

Written permission is needed for any reproductions.

Tilta has the right to adjust product specification without notice.

All measurements are for reference only. Please see the actual products for more details.

TILTA are registered trademarks owned by Tilta Technology Co., Ltd.

Website: www.tilta.com

US Address: 2801 W Magnolia Blvd, Burbank, CA 91505

US Contact Number: +1(818)651-4991



关注微信公众号



扫码进入官网