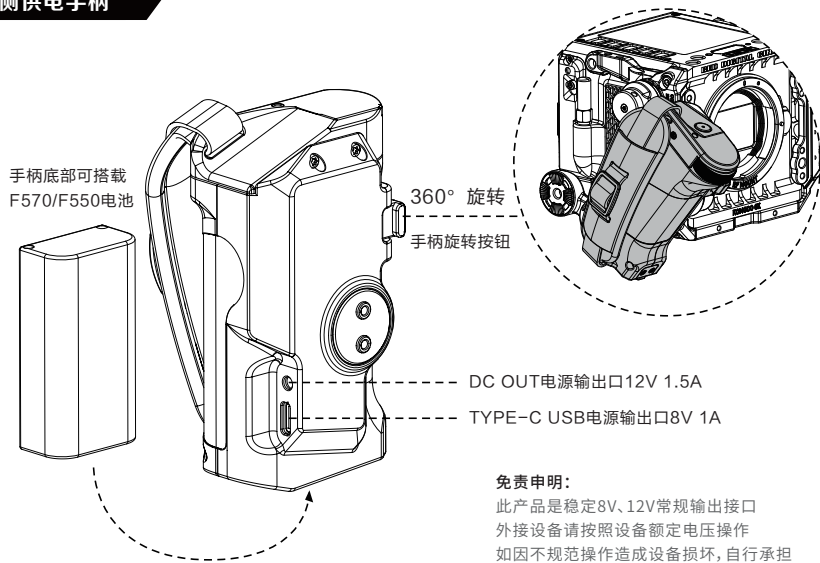
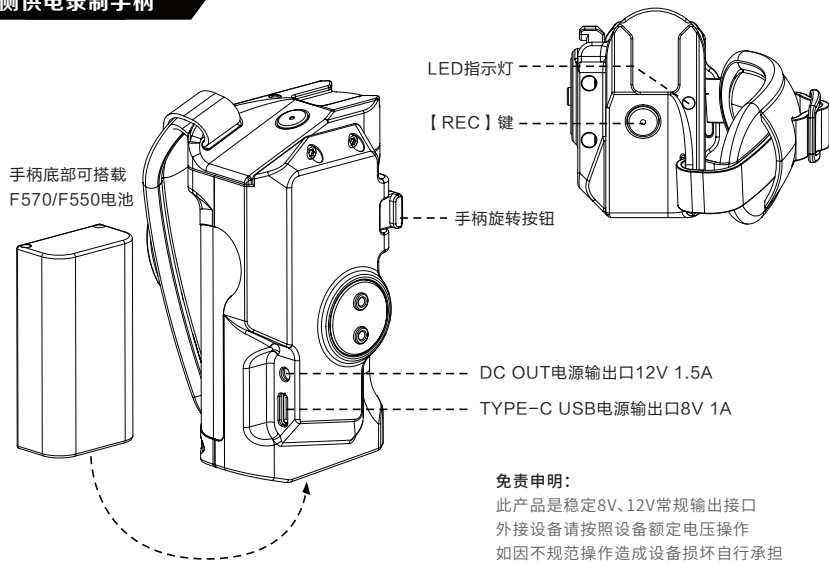


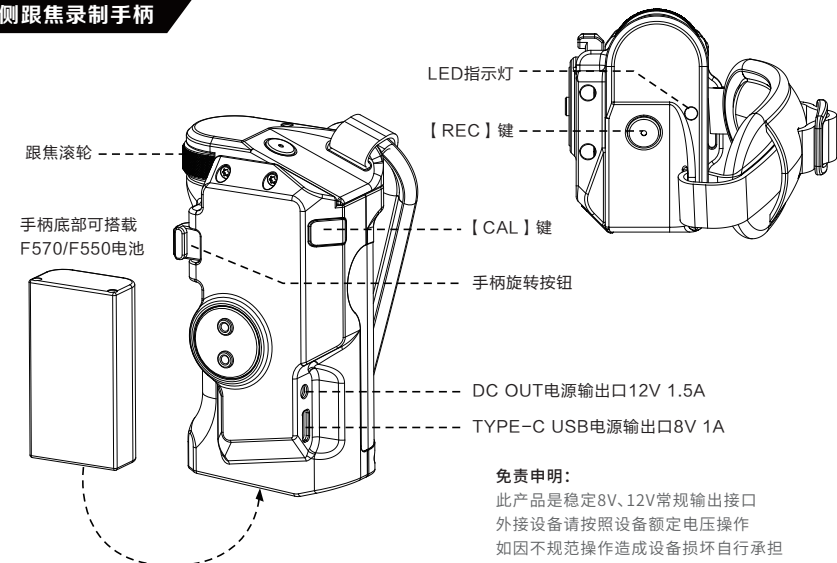
### 侧供电手柄



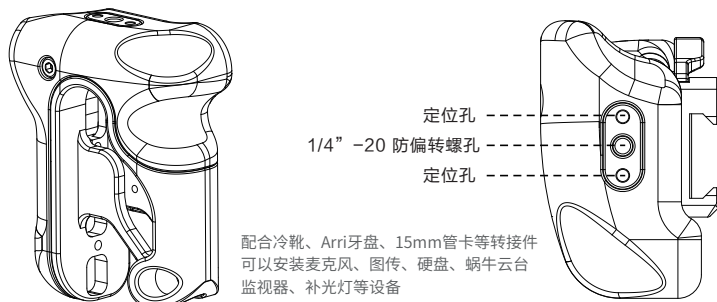
### 侧供电录制手柄



### 侧跟焦录制手柄



### 木质侧手柄



### 使用说明

#### 1 开关机管理

长按【REC】键3秒, LED指示灯显示绿色为开机  
开机状态下长按3秒, LED指示灯熄灭为关机

#### 2 录制功能

将TYPE-C转MICRO USB线连接到手柄和原力N电机端  
原力N电机录制接口连接对应机型的录制线, 单击【REC】键为录制  
LED指示灯为红色。再次单击为STBY状态, LED指示灯为绿色

#### 3 自动检测镜头行程

##### 无限行程镜头设置

手动转动镜头至最小值, 将原力N电机扣紧至镜头圈  
双击【CAL】键电机OLED显示屏显示CALING, 旋转手轮转动镜头至最大值  
双击【CAL】键等待电机读取完镜头行程, 即完成设置

##### 有限行程镜头设置

将原力N电机扣紧至镜头圈, 长按【CAL】键至电机OLED显示屏显示CALING  
等待电机读取镜头行程完成即可, 自检状态下手柄LED指示灯为绿色

##### A、B点限位功能

将原力N电机扣紧至镜头圈, 长按【CAL】键, 读取完镜头行程后  
转动滚轮至镜头A点, 单击【CAL】键, 手柄LED指示灯为绿色, 再次转动  
滚轮至镜头B点, 单击【CAL】键, 手柄LED指示灯为蓝色, 即设置完成

#### 4 跟焦滚轮校准

长按【REC】键并双击【CAL】键, LED指示灯变蓝色即可松开  
顺时针旋转滚轮至停止, 双击【CAL】键, LED指示灯为蓝色并闪烁  
逆时针旋转滚轮至停止, 双击【CAL】键, LED指示灯为绿色, 即校准完成

##### 以下情况需对滚轮校准:

- ①当侧手柄控制原力N马达, 马达会突然快速反转
- ②当电机对镜头自检完成, 转动滚轮电机到不了镜头行程的最大值或最小值

#### 5 DC OUT/TYPE C USB电源输出口

可定制机器供电线, 例BMPC 4K给机器续航约3-4H, 时长仅供参考

#### 6 电量提示功能

在电池电量不足20%的情况下, 手柄LED指示灯为绿色闪烁状态

#### 7 固件升级

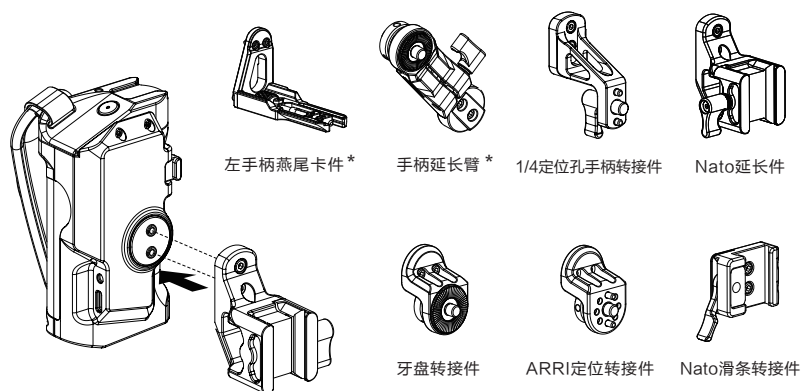
TILTA官网下载升级固件完成安装即可  
如有任何安装疑问  
可微信联系客服咨询

TILTA官网: <http://tilta.com.cn>



### 接驳配件

七款侧手柄接驳配件, 可按需求选择不同配件接口

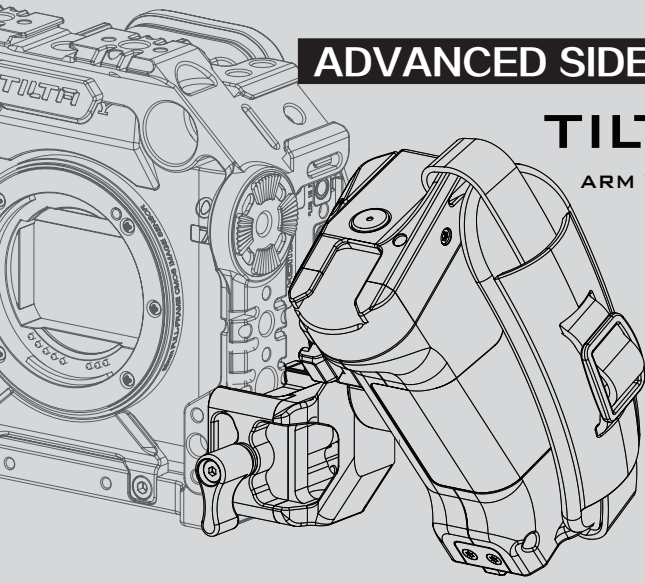


\*注: 手柄延长臂与左手柄燕尾卡件不可用于木质手柄

## ADVANCED SIDE HANDLE

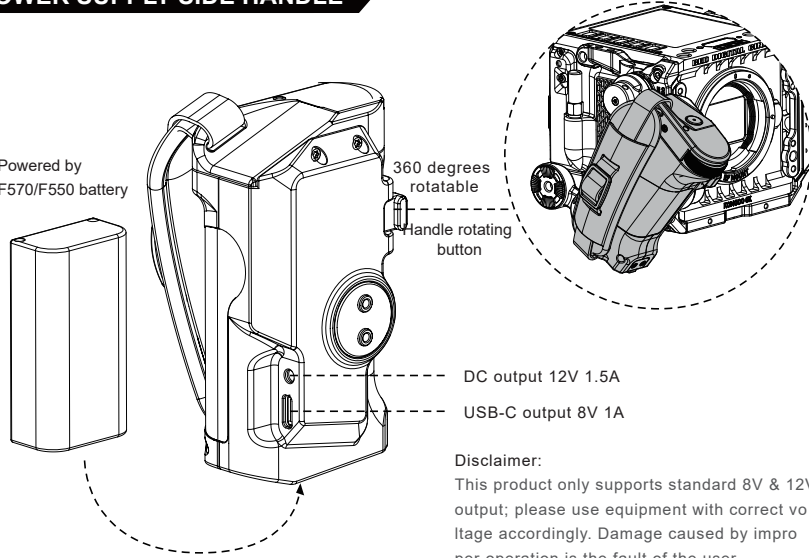
# TILTING

ARM YOUR CAMERA



## POWER SUPPLY SIDE HANDLE

Powered by F570/F550 battery



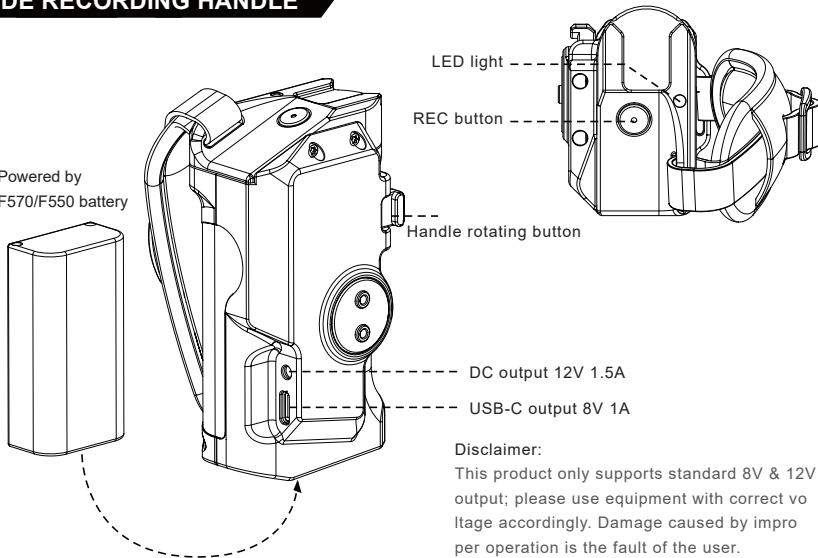
360 degrees rotatable  
Handle rotating button

DC output 12V 1.5A  
USB-C output 8V 1A

**Disclaimer:**  
This product only supports standard 8V & 12V output; please use equipment with correct voltage accordingly. Damage caused by improper operation is the fault of the user.

## SIDE RECORDING HANDLE

Powered by F570/F550 battery



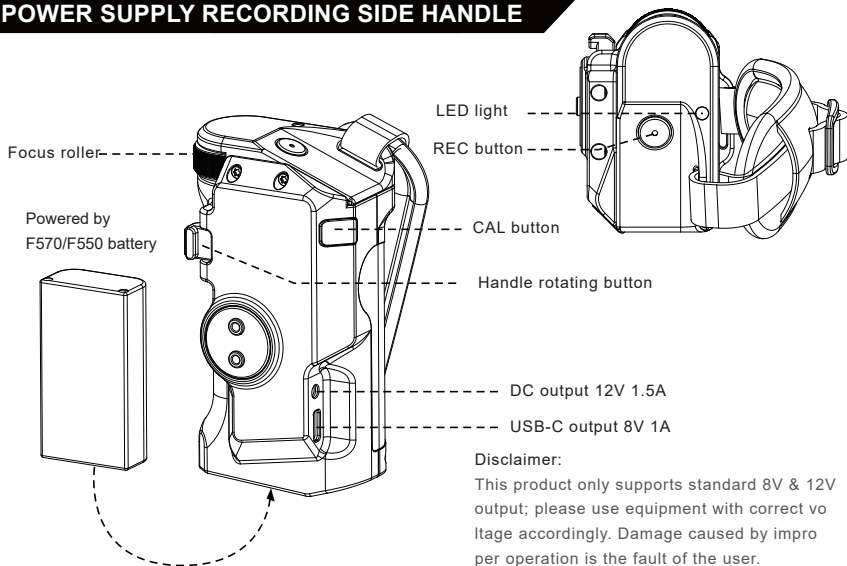
LED light  
REC button  
Handle rotating button

DC output 12V 1.5A  
USB-C output 8V 1A

**Disclaimer:**  
This product only supports standard 8V & 12V output; please use equipment with correct voltage accordingly. Damage caused by improper operation is the fault of the user.

## POWER SUPPLY RECORDING SIDE HANDLE

Powered by F570/F550 battery

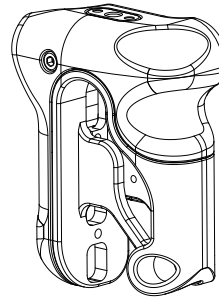


LED light  
REC button  
CAL button  
Handle rotating button

DC output 12V 1.5A  
USB-C output 8V 1A

**Disclaimer:**  
This product only supports standard 8V & 12V output; please use equipment with correct voltage accordingly. Damage caused by improper operation is the fault of the user.

## WOODEN SIDE HANDLE



Locating pin  
1/4"-20 screw hole  
Locating pin

Separate cold shoe attachment allows you to mount microphone, wireless video transmitter, hard drive, monitor, mini lights, etc.

## INSTRUCTIONS

### 1 Power on/off

To power on the handle, hold REC button for 3 secs until the LED light turns green  
To power off the handle, hold REC button for 3 secs until the LED light turned off.

### 2 Record function

To power the motor, connect the handle the Nucleus Nano motor via the USB-C to MICRO USB cable.

To set up the record start/stop function, connect your camera's specific R/S cable from the camera to the Nucleus Nano motor. Click the REC once to start recording; the LED light will turn red. Click the REC button again to stop recording; the LED light will turn green.

### 3 Automatic calibration

#### Settings for infinite range lens

Turn the lens manually to its minimum value, and tightly attach the Nucleus Nano motor to the gear ring, then double click CAL button. When you see "CALING" on the motor OLED screen, turn the handwheel to reach the maximum value of the lens, then double click CAL button. Wait for the motor to read the range status of the lens, then the calibration will be complete.

#### Settings for limited range lens

Attach Nucleus Nano motor to the gear ring tightly, press and hold CAL button till you see "CALING" on the motor OLED screen. Wait for the motor to read the range status of the lens, LED light will stay green during auto calibration.

#### AB stoppers function

Attach Nucleus Nano motor to the lens gear ring tightly, then press and hold the CAL button until the motor finishes reading the lens range. Turn the handwheel to point A and click the CAL button; the LED light will turn green. Then turn the handwheel to point B and click the CAL button again; the LED light will then turn blue. The calibration is complete.

### 4 Follow focus handwheel calibration

Press and hold the REC button then double click the CAL button until the LED light turns blue, Turn the handwheel clockwise to the end, then double click the CAL button, The LED light will flash blue. Turn the handwheel counterclockwise to the end, the LED light will turn green, The calibration is complete.

#### You may need to calibrate the handwheel in the following circumstances:

- (1) Motor spins backwards when controlled by the side handle.
- (2) Motor cannot reach the minimum or maximum value of the lens after auto calibration is finished.

### 5 DC OUT/TYPE C USB power outputs

Customized power cables are available. For example: a cable is available that can power BMPCC 4K for 3-4hrs.

### 6 Low power alert function

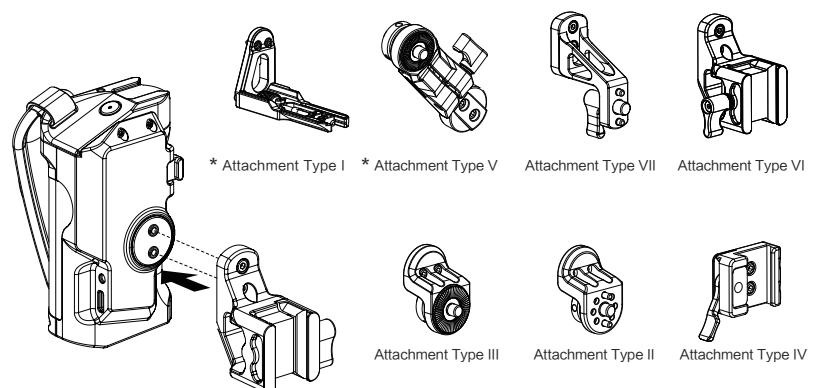
The LED light will start flashing in green when the battery is less than 20%.

### 7 Firmware upgrade

You may download the firmware upgrade files from [www.tilta.com](http://www.tilta.com). Please feel free to contact our sales team for any inquiries.

## ADAPTORS

7 different advanced side handle attachments can fit all kinds of needs.



\* Please Note: Attachment Type I and Attachment Type V are not compatible with Side Wood Handle