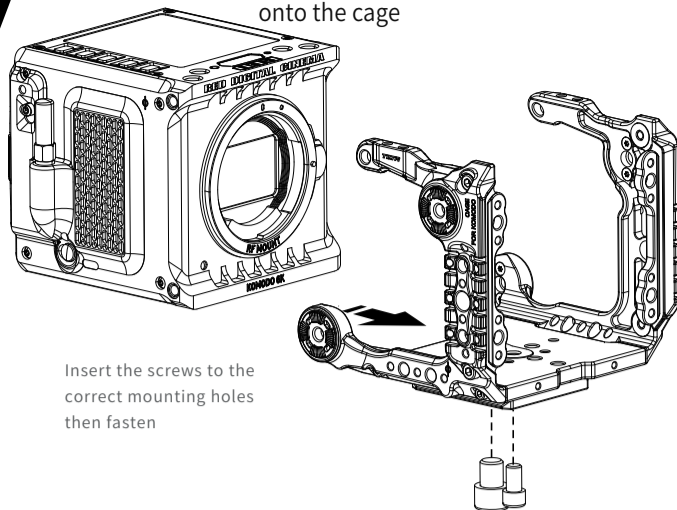


Brand new TILTAING cage for RED KOMODO

CAGE HANDLES ACCESSORIES ROD ADAPTER

1

Install KOMODO camera onto the cage

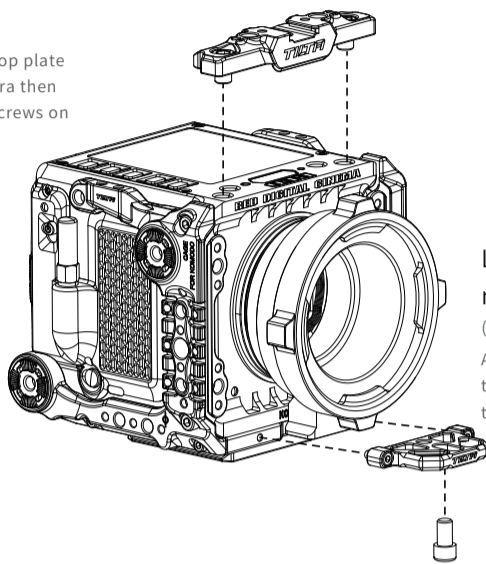


Insert the screws to the correct mounting holes then fasten

Top plate

Attach the top plate to the camera then fasten the screws on both sides

2



Lens converter ring supporter (optional)

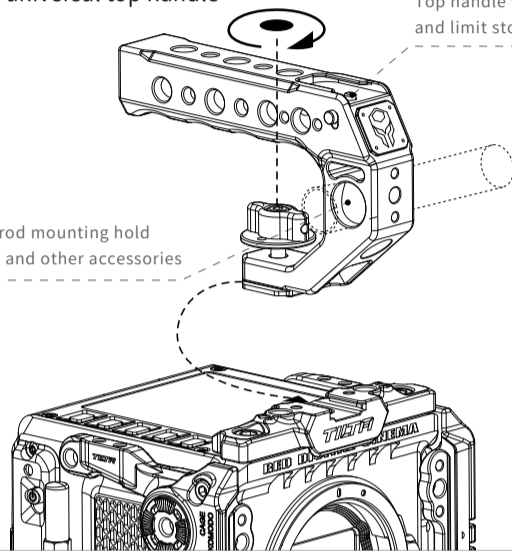
Attach the supporter into the mounting holes on the camera, then fasten.

TILTAING universal top handle (optional)

Top handle with cold shoe mount and limit stopper

3

15mm rod mounting hold for EVF and other accessories



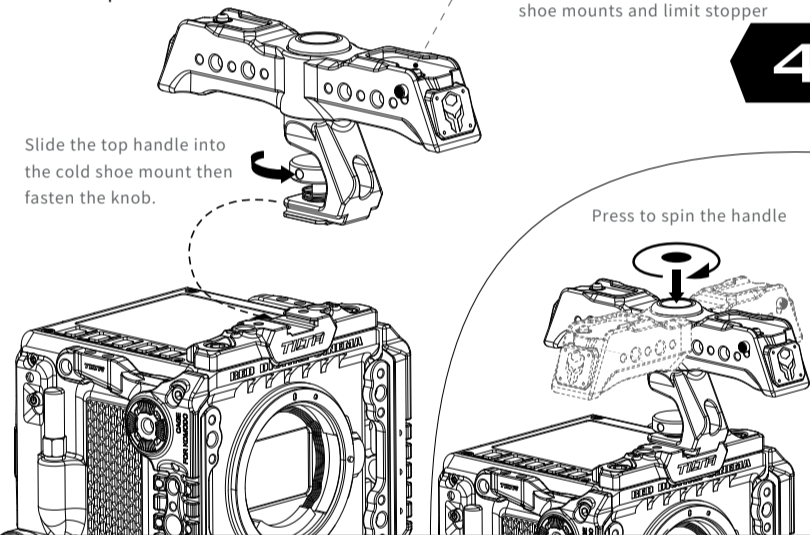
Basic top handle

Top handle with two cold shoe mounts and limit stopper

4

Slide the top handle into the cold shoe mount then fasten the knob.

Press to spin the handle



Multi-functional top handle (optional)

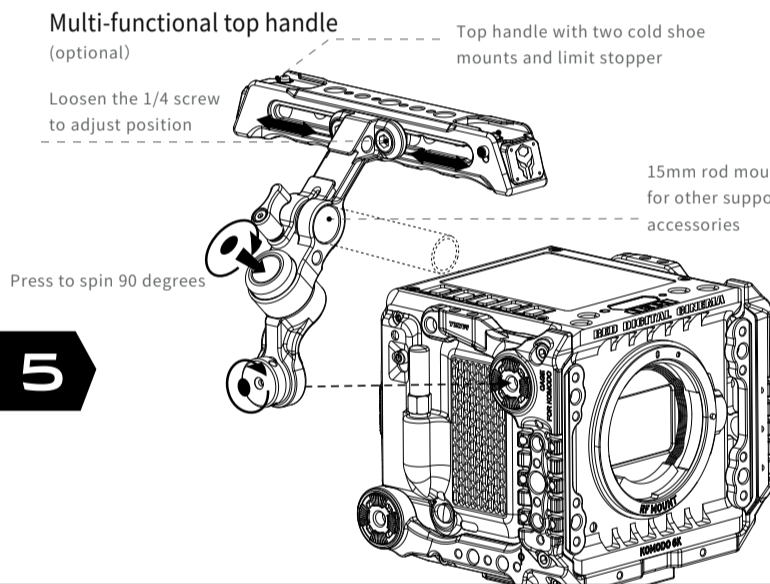
Top handle with two cold shoe mounts and limit stopper

Loosen the 1/4 screw to adjust position

15mm rod mounting hole for other supporting accessories

5

Press to spin 90 degrees



BP to V mount battery plate (optional)

(optional)

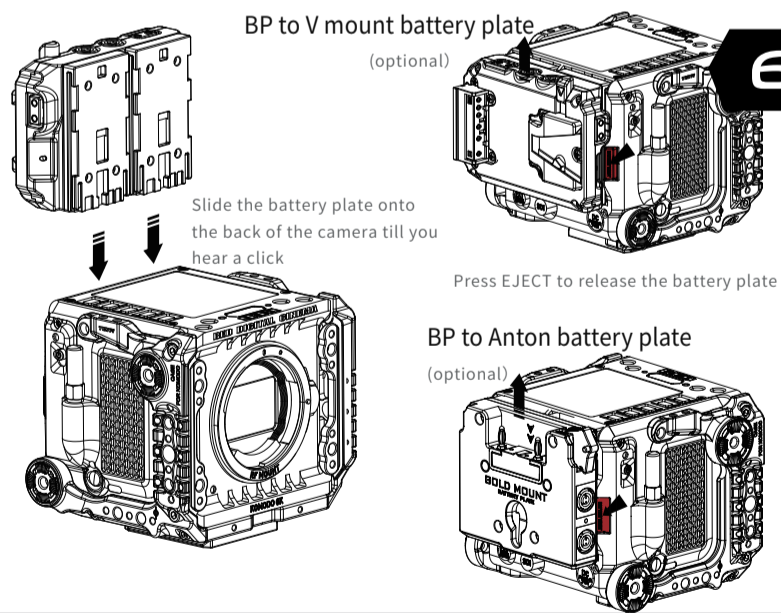
6

Slide the battery plate onto the back of the camera till you hear a click

Press EJECT to release the battery plate

BP to Anton battery plate (optional)

(optional)



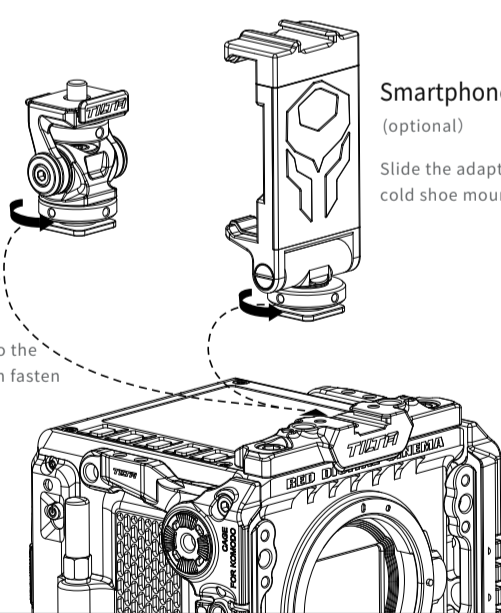
7

Monitor adaptor (optional)

Slide the adaptor into the cold shoe mount then fasten

Smartphone adaptor (optional)

Slide the adaptor into the cold shoe mount then fasten.



8

Professional baseplate (optional)

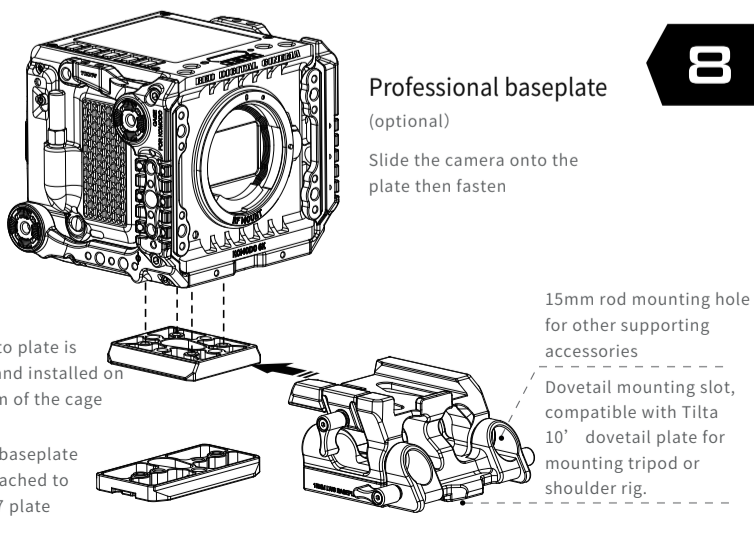
Slide the camera onto the plate then fasten

15mm rod mounting hole for other supporting accessories

Dovetail mounting slot, compatible with Tilta 10' dovetail plate for mounting tripod or shoulder rig.

A Manfrotto plate is included and installed on the bottom of the cage

Universal baseplate can be attached to the ES-T57 plate (optional)

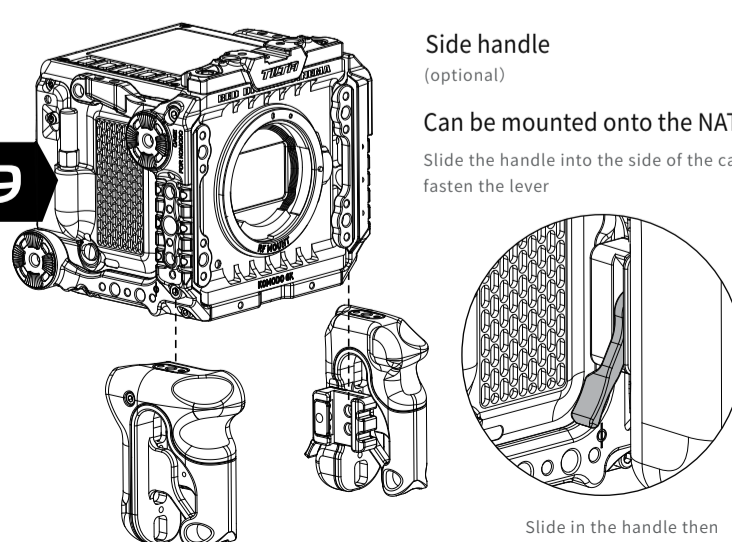


9

Side handle (optional)

Can be mounted onto the NATO slot

Slide the handle into the side of the cage then fasten the lever



Slide in the handle then fasten the lever