



1

Disassembling:

- Step 1: Push the lock knob forward
- Step 2: Pull up the mounting frame
- Step 3: Take out the Osmo Action camera



2

Installation:

- Step 1: Push the mounting frame against the cage
- Step 2: Push down on the mounting frame until it locks

3



Landscape mode:

Mounting the Osmo Action landscape connector to the two screw holes on the cage (see below). The metal Osmo Action accessories to the landscape connector. Make sure all parts are securely installed.

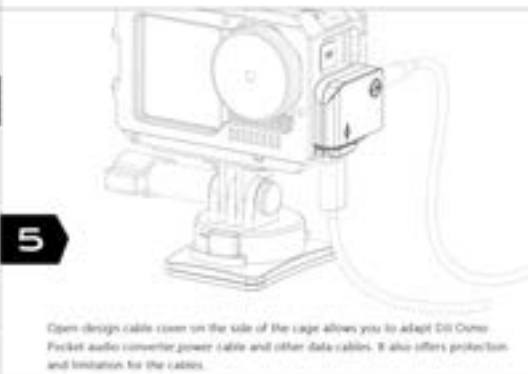


4

Portrait mode:

Osmo Action landscape connector can also be installed on the side of the cage allowing you to switch between landscape and portrait modes.

5



Open design cable cover on the side of the cage allows you to adapt DJI Osmo Pocket audio converter power cable and other data cables. It also offers protection and limitation for the cables.



6

Heat-conducting silica gel:

- Step 1: Remove the protective film before use
- Step 2: Do not remove the heat-conducting silica gel. (It will reduce the effect on heat release. Change the damaged silica gel immediately with the replacement.)

7



The space at the base of the cage allows you to change the battery without disassembling the cage.



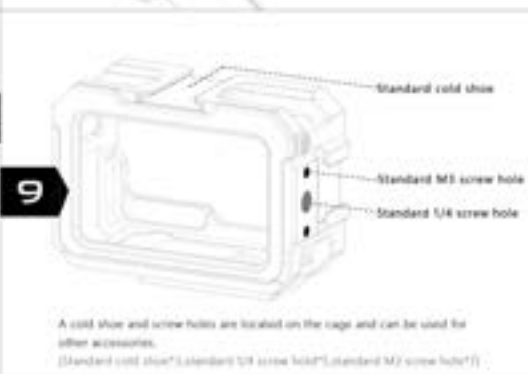
8

Installation:

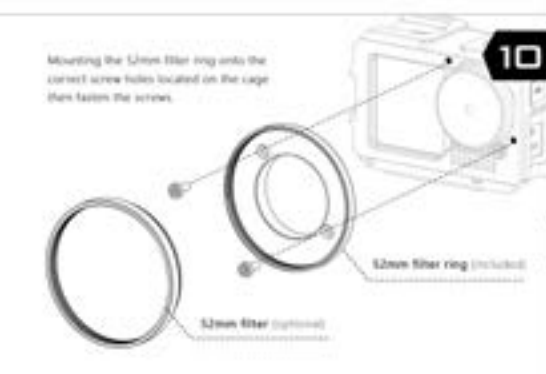
- Step 1: Slide the knob onto the pin (return following arrow 1)
- Step 2: Push the sliding knob following arrow 2
- Step 3: Click the baseplate onto the slot, then release the sliding knob

Note: Make sure the sliding knob covers the (circle sign) to the rest position.

9



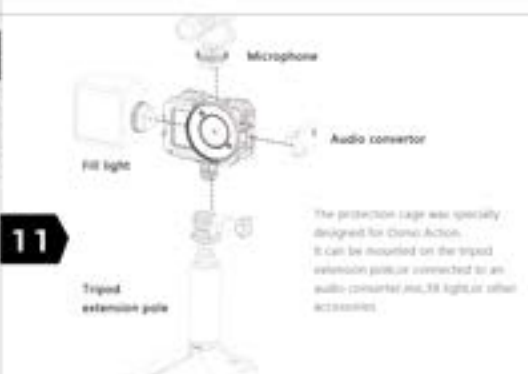
A cold shoe and screw holes are located on the cage and can be used for other accessories. (Standard cold shoe* / Standard 1/4 screw hole** / Standard M3 screw hole**)



10

Mounting the 52mm filter ring onto the correct screw holes located on the cage (then tighten the screws).

11



The protection cage was specially designed for Osmo Action. It can be mounted on the tripod extension pole, or connected to an audio converter, fill light, or other accessories.