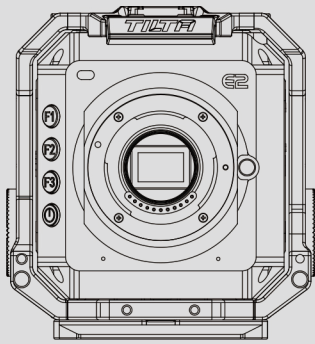


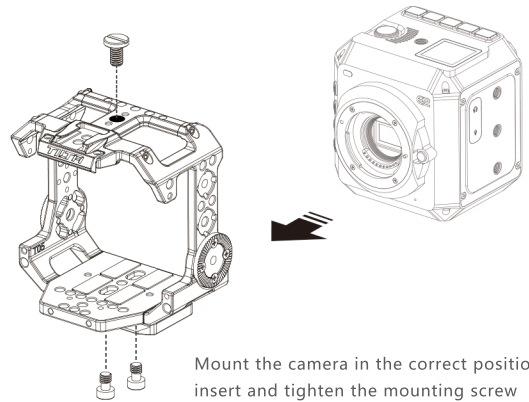
**Z-CAM
E2**



CAGE TOP HANDLE BASEPLATE ACCESSORIES

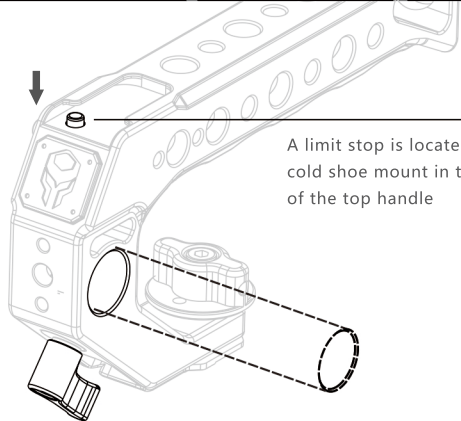
1

Install the Z-CAM E2 camera into the cage



Mount the camera in the correct position and then insert and tighten the mounting screw

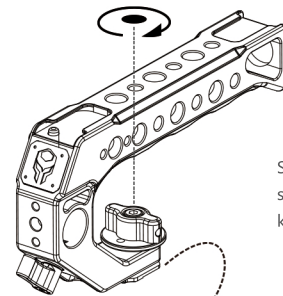
2



A limit stop is located on the cold shoe mount in the front of the top handle

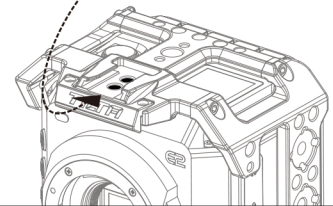
15mm rod adapter can be used to mount EVFs or other accessories

3



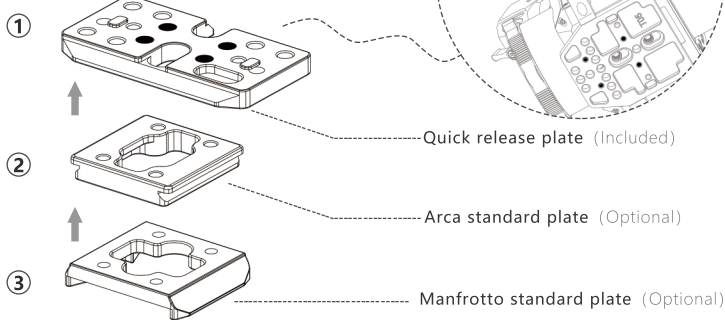
Slide the top handle into the cold shoe mount and then fasten the knob (Optional)

Top handle is compatible with all Tilting cages



4

• Quick release plate mounting screw holes

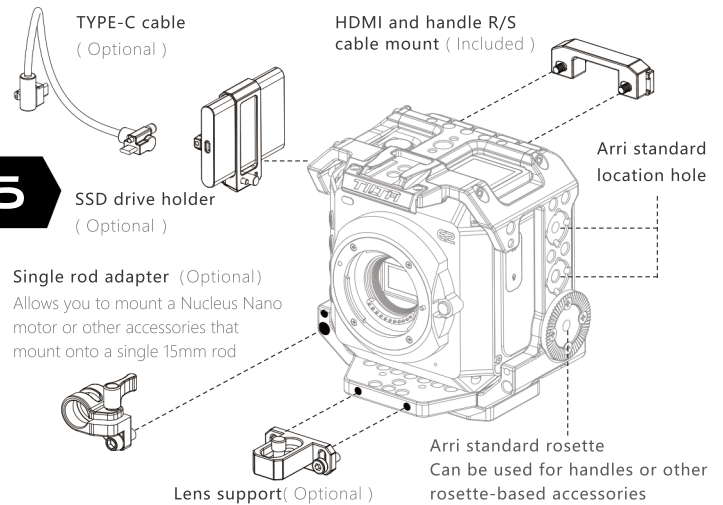


Quick release plate (Included)

Arca standard plate (Optional)

Manfrotto standard plate (Optional)

5



TYPE-C cable (Optional)

HDMI and handle R/S cable mount (Included)

SSD drive holder (Optional)

Single rod adapter (Optional)
Allows you to mount a Nucleus Nano motor or other accessories that mount onto a single 15mm rod

Arri standard location hole

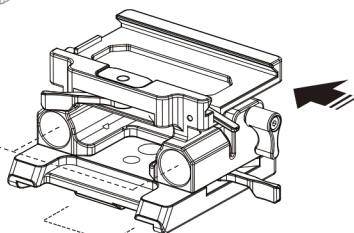
Lens support (Optional)

Arri standard rosette
Can be used for handles or other rosette-based accessories

6

Slide the camera onto the baseplate until the stopper is bounced back, then fasten the lever (Optional)

For 15mm LWS rods

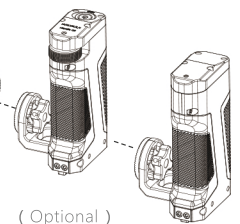


Tilta standard dovetail plates

7

The handle can be mounted on the left or right side rosette of the cage.

Note:
The adaptor also needs to be switched when changing the handle position.



(Optional)