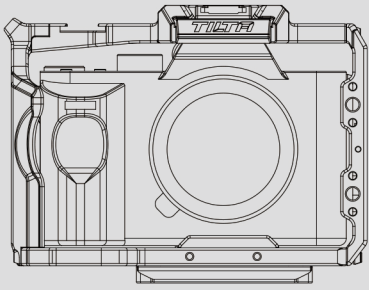


# TILTA CAMERA RIG FOR

## FOR SONY A7/A9 SERIES

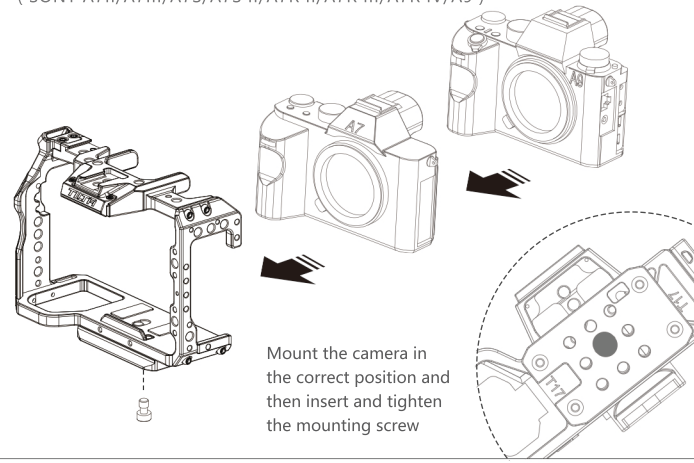
Compatible with  
SONY A7II/A7III /A7S/A7S II/A7R II/  
A7R III/A7R IV/A9 series



CAGE / HANDLES / SUPPORT SYSTEM / ACCESSORIES

1

Install the A7/A9 camera into the cage  
(SONY A7II/A7III/A7S/A7S II/A7R II/A7R III/A7R IV/A9)

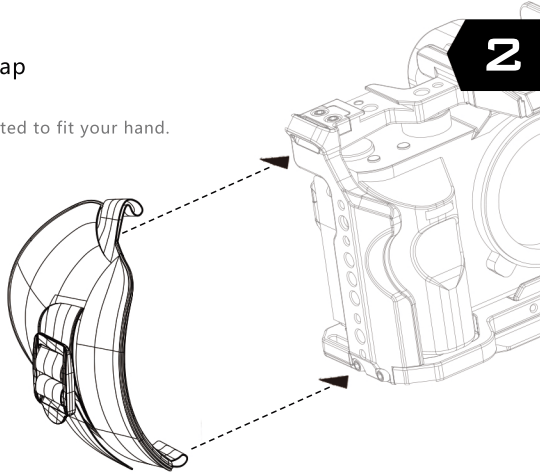


Mount the camera in the correct position and then insert and tighten the mounting screw

### Universal hand strap

(Included)

Hand strap can be adjusted to fit your hand.



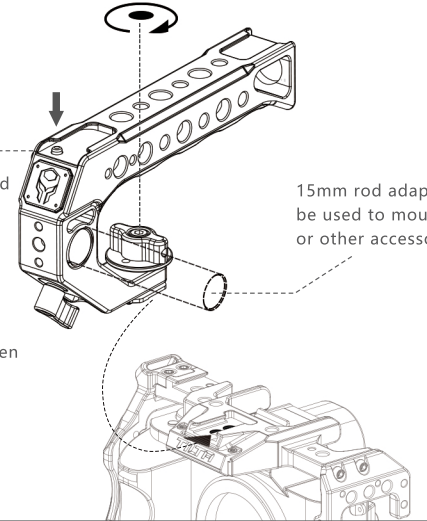
2

3

A limit stop is located on the cold shoe mount in the front of the top handle

Slide the top handle into the cold shoe mount and then fasten the knob (Optional)

15mm rod adapter can be used to mount EVFs or other accessories



Note: Please select the correct quick release plate for your camera. Only one quick release plate is included in the package.

4

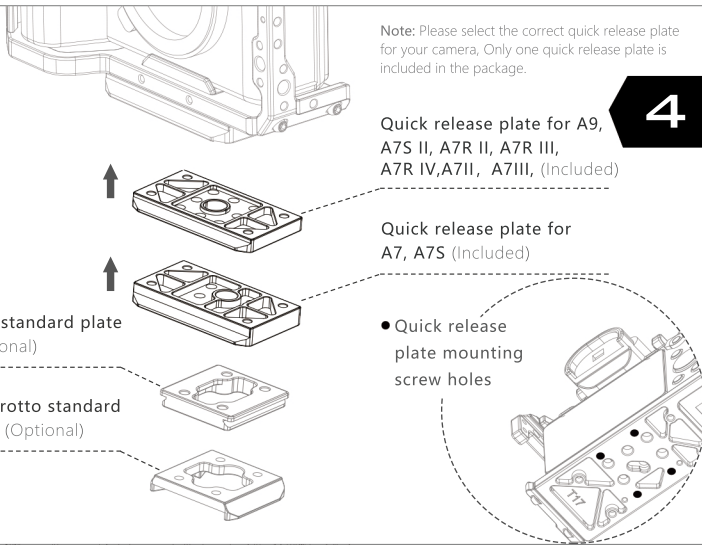
Quick release plate for A9, A7S II, A7R II, A7R III, A7R IV, A7II, A7III, (Included)

Quick release plate for A7, A7S (Included)

• Quick release plate mounting screw holes

Arca standard plate (Optional)

Manfrotto standard plate (Optional)



5

Lens support (Optional)

Rod adapter (Optional)

Or other mount a Nucleus Nano motor or other accessories that mount onto a single 15mm rod

Top single rod adapter (Optional)

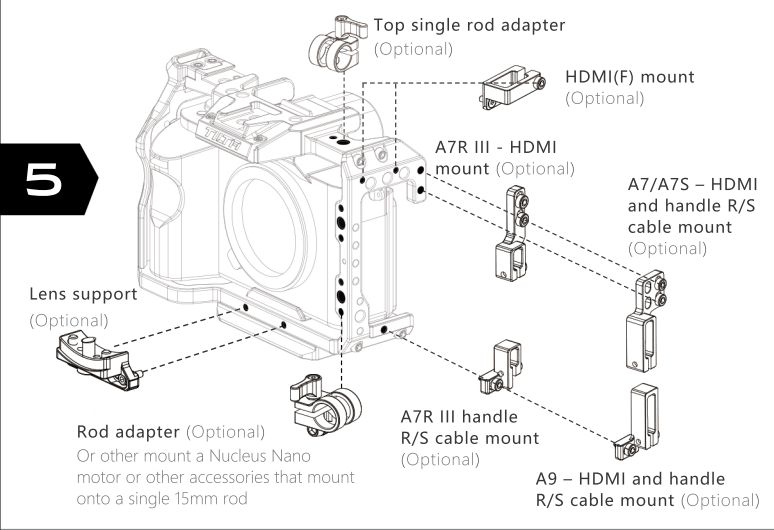
HDMI(F) mount (Optional)

A7R III - HDMI mount (Optional)

A7/A7S - HDMI and handle R/S cable mount (Optional)

A7R III handle R/S cable mount (Optional)

A9 - HDMI and handle R/S cable mount (Optional)

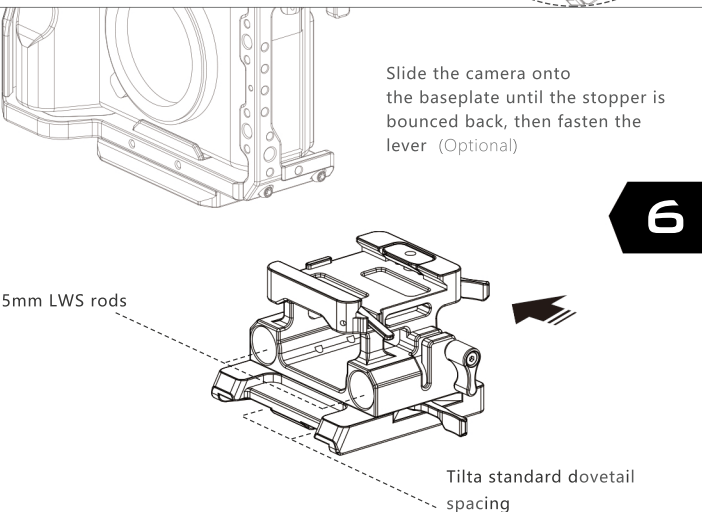


6

Slide the camera onto the baseplate until the stopper is bounced back, then fasten the lever (Optional)

For 15mm LWS rods

Tilta standard dovetail spacing



7

Side handle can be mounted on the left or right side of the cage.

Note:  
The correct attachment needs to be fastened depending on which side of the cage the handle will be attached.

(Optional)

