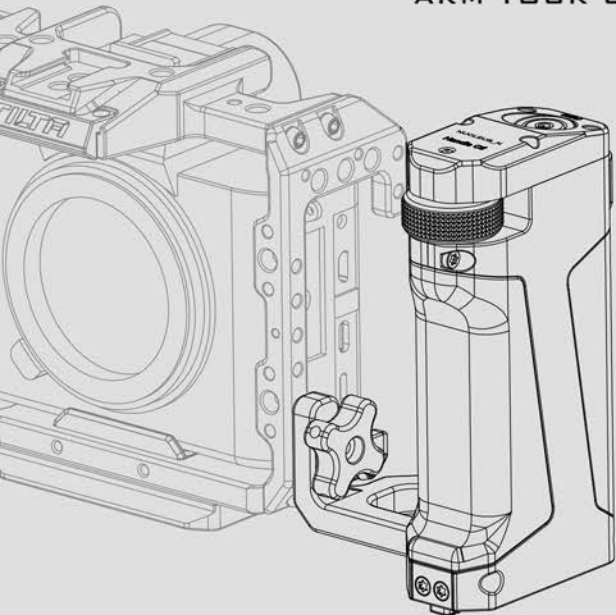


# TILTING RIG SIDE HANDLE

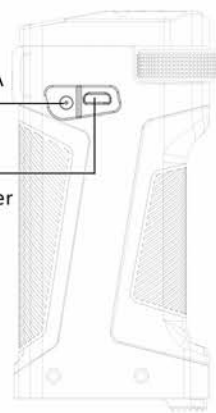
ARM YOUR CAMERA



CAL button

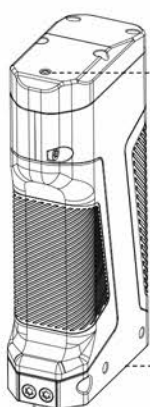
DC power output 12V 1.5A

Micro USB power output 8V 1A



## POWER SUPPLY SIDE HANDLE

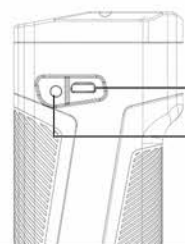
F570/F550 battery



LED indicator light



Powered by F570/F550 battery

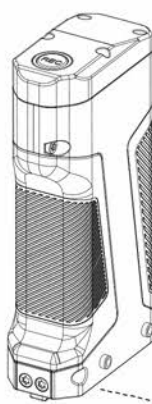


Micro USB power output 8V 1A

DC power output 12V 1.5A

## SIDE RECORDING HANDLE

F570/F550 battery

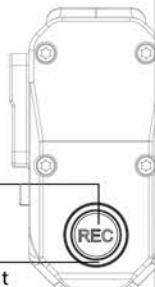


Powered by F570/F550 battery



REC button

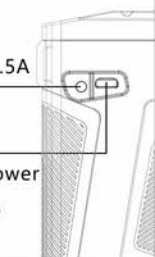
LED indicator light



7 PIN LEMO INPUT

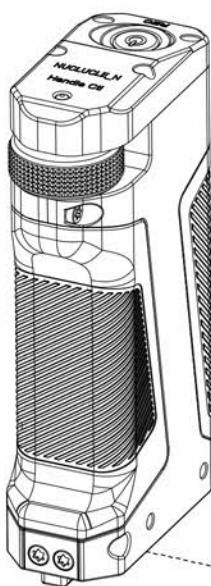
DC power output 12V 1.5A

Micro USB power output 8V 1A



## FOLLOW FOCUS SIDE HANDLE

F570/F550/E6N battery



Powered by F570/F550 battery



E6N battery

Follow focus handwheel

LED indicator light

REC button



## INSTRUCTION

### 1 Power on/off

To power on the handle, hold REC button for 3 secs till the LED light turns green. To power off the handle, hold REC button for 3 secs till the LED light turned off.

### 2 Record function

Connect the handle to Nucleus Nano motor by the Micro USB cable. Connect Nucleus Nano motor to the camera by a correct recording cable. Click REC button once for recording, LED light will turn red. Click REC button again for STBY, LED light will turn green.

### 3 Automatic calibration

#### • Settings for infinite range lens

Turn the lens manually to its minimum value, attach Nucleus Nano motor to the gear ring tightly, then double click CAL button. When you see "CALING" on the motor OLED screen, turn the handwheel to reach the maximum value of the lens, then double click CAL button. Wait for the motor to read the range status of the lens, setting finished.

#### • Settings for limited range lens

Attach Nucleus Nano motor to the gear ring tightly, press and hold CAL button till you see "CALING" on the motor OLED screen. Wait for the motor to read the range status of the lens, LED light will stay green during auto calibration.

#### • AB stoppers function

Attach Nucleus Nano motor to the lens gear ring tightly, press and hold CAL button till motor finishes reading the lens range. Turn the handwheel to A point click CAL button, LED light turns green, continue turning the handwheel to B point, click CAL button, LED light turns blue, setting finished.

### 4 Follow focus handwheel calibration

Press and hold REC button then double click CAL button until LED light turns blue, Turn the handwheel clockwise to the end, double click CAL button, LED light will be flashing in blue. Turn the handwheel anti clockwise to the end, LED light will turn green, calibration finished.

You may need to calibrate the handwheel in the following circumstances:

- (1) Motor spins backwards when controlled by the side handle.
- (2) Motor cannot reach the minimum or maximum value of the lens after auto calibration is finished.

### 5 DC/MICRO USB power outputs

Customized power cable is available. For example: can power BMPCC 4K for 3-4hrs

### 6 Low power alert function

The LED light will be flashing in green when the battery is less than 20%.

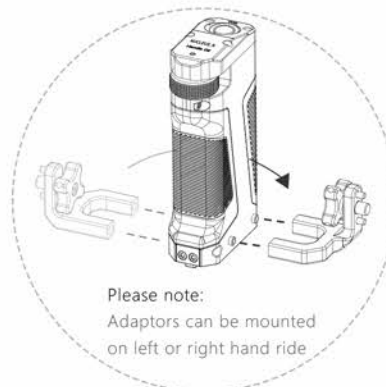
### 7 Firmware upgrade

You may download the firmware upgrade files from [www.tilta.com](http://www.tilta.com). Please feel free to contact our sales team for any inquires.

## ADAPTORS

The three adaptors below are compatible with power supply side handle. Please choose the correct adaptor.

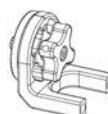
Disclaimer:  
This product is equipped with stable 8V and 12V power outputs. Please be cautious of the nominal voltage when using other equipment. Damages that caused by abnormal operation will not be protected by warranty. All rights reserved.



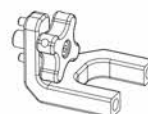
Please note:  
Adaptors can be mounted on left or right hand ride



Dovetail  
TA-HA4-G



Rosette  
TA-HA5-G



Hand knob  
TA-HA6-G