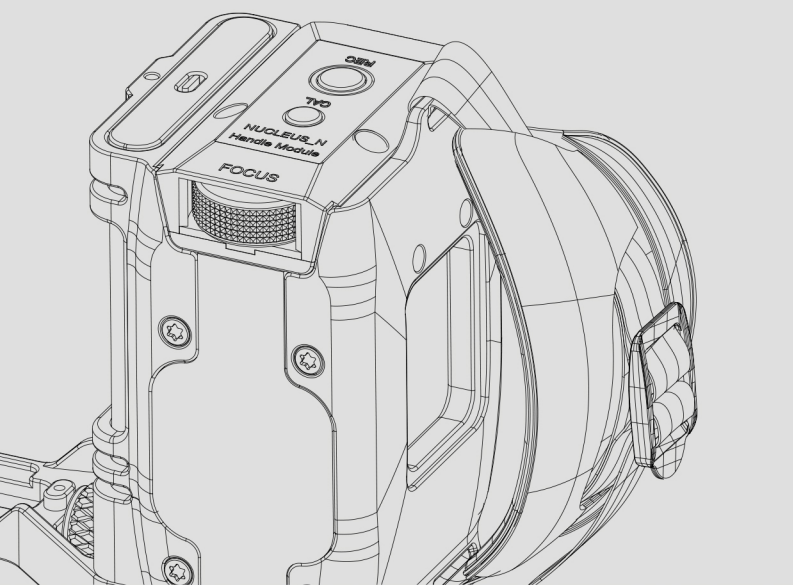
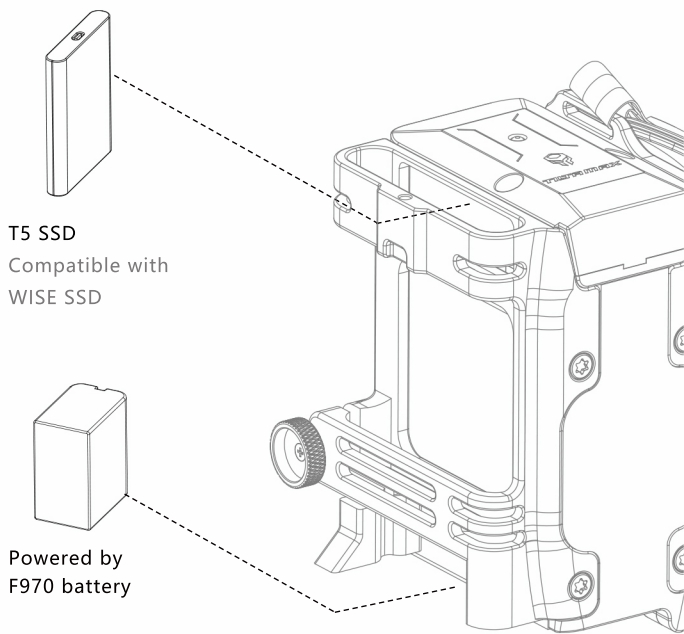


# TILTING RIG SIDE HANDLE

ARM YOUR CAMERA



POWER SUPPLY SIDE HANDLE F970 battery TA-SH1-97-G



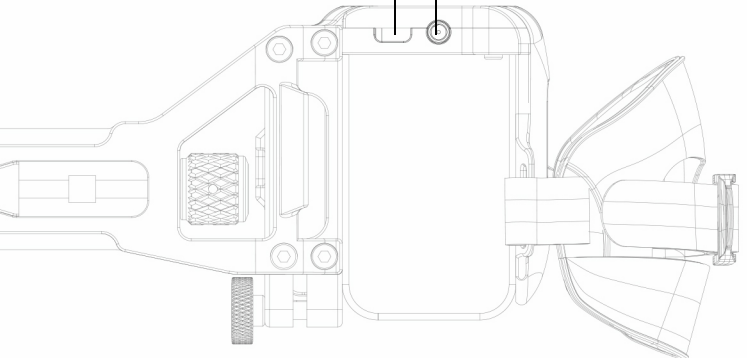
T5 SSD  
Compatible with  
WISE SSD

Powered by  
F970 battery

## PRODUCT FEATURES

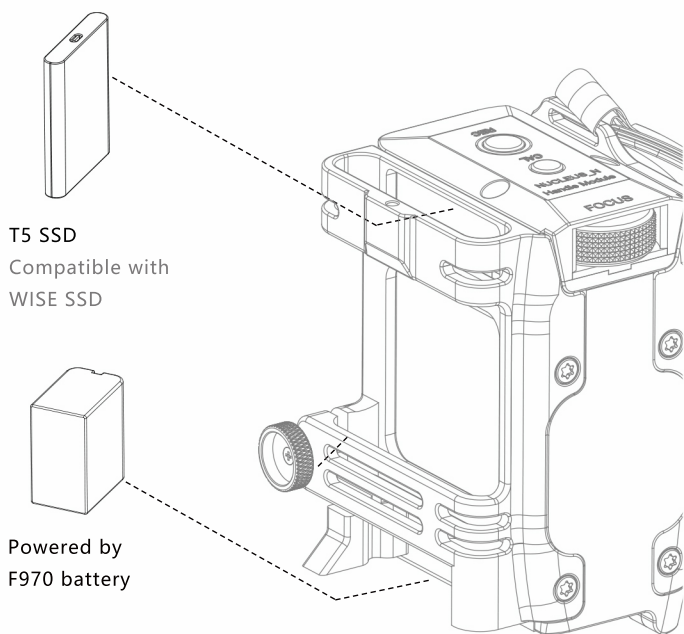
**Micro USB power output 8V 1A**  
Customized power cable for Nucleus Nano (length up to 500mm)

**DC power output 12V 1.5A**  
Customized DC IN 12V cable (3.5mm\*1.35mm male) is available for different cameras.



Disclaimer: This product is equipped with stable 8V and 12V power outputs. Please be cautions of the nominal voltage when using other equipment. Damages that caused by abnormal operation will not be protected by warranty. All rights reserved.

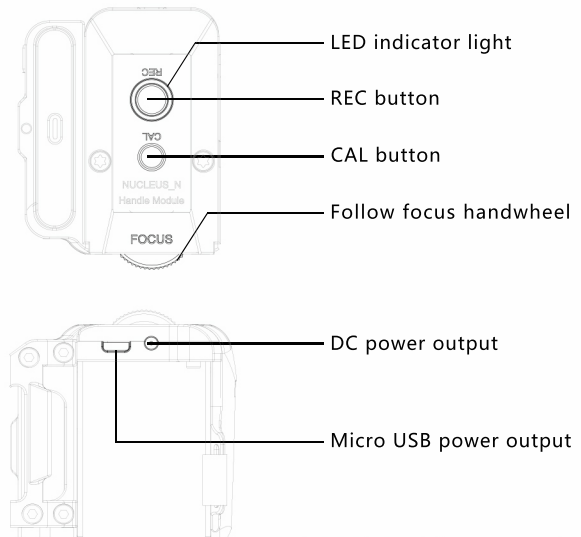
FOLLOW FOCUS SIDE HANDLE F970 battery TA-SFH1-97-G



T5 SSD  
Compatible with  
WISE SSD

Powered by  
F970 battery

## PRODUCT FEATURES



## INSTRUCTION

### 1 Power on/off

To power on the handle, hold REC button for 3 secs till the LED light turns green. To power off the handle, hold REC button for 3 secs till the LED light turned off.

### 2 Record function

Connect the handle to Nucleus Nano motor by the Micro USB cable. Connect Nucleus Nano motor to the camera by a correct recording cable. Click REC button once for recording, LED light will turn red. Click REC button again for STBY, LED light will turn green.

### 3 Automatic calibration

#### • Settings for infinite range lens

Turn the lens manually to its minimum value, attach Nucleus Nano motor to the gear ring tightly, then double click CAL button. When you see "CALING" on the motor OLED screen, turn the handwheel to reach the maximum value of the lens, then double click CAL button. Wait for the motor to read the range status of the lens, setting finished.

#### • Settings for limited range lens

Attach Nucleus Nano motor to the gear ring tightly, press and hold CAL button till you see "CALING" on the motor OLED screen. Wait for the motor to read the range status of the lens, LED light will stay green during auto calibration.

#### • AB stoppers function

Attach Nucleus Nano motor to the lens gear ring tightly, press and hold CAL button till motor finishes reading the lens range. Turn the handwheel to A point click CAL button, LED light turns green, continue turning the handwheel to B point, click CAL button, LED light turns blue, setting finished.

### 4 Follow focus handwheel calibration

Press and hold REC button then double click CAL button until LED light turns blue, Turn the handwheel clockwise to the end, double click CAL button, LED light will be flashing in blue. Turn the handwheel anti clockwise to the end, LED light will turn green, calibration finished.

You may need to calibrate the handwheel in the following circumstances:

- (1) Motor spins backwards when controlled by the side handle.
- (2) Motor cannot reach the minimum or maximum value of the lens after auto calibration is finished.

### 5 DC/MICRO USB power outputs

Customized power cable is available. For example: can power BMPCC 4K for 3-4hrs

### 6 Low power alert function

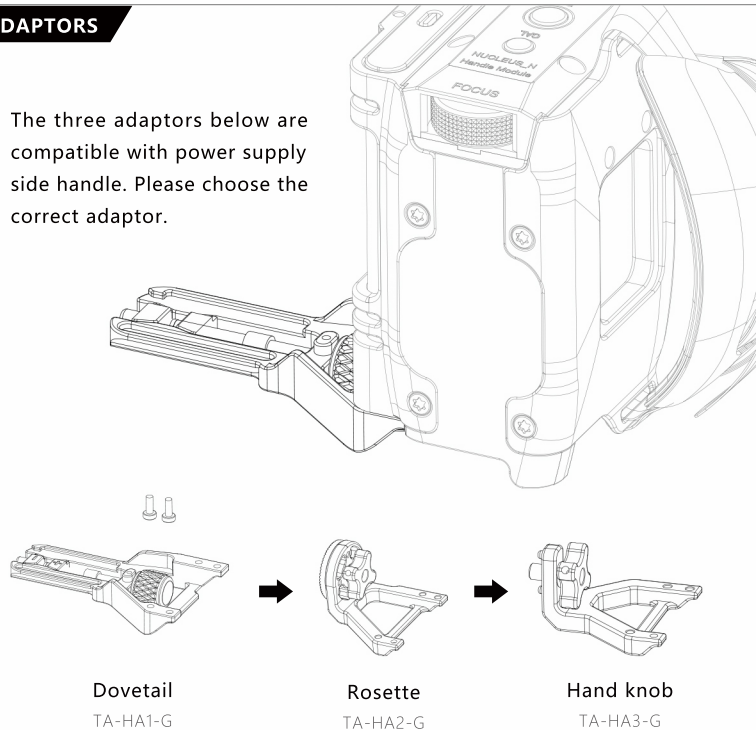
The LED light will be flashing in green when the battery is less than 20%.

### 7 Firmware upgrade

You may download the firmware upgrade files from [www.tilta.com](http://www.tilta.com). Please feel free to contact our sales team for any inquires.

## ADAPTORS

The three adaptors below are compatible with power supply side handle. Please choose the correct adaptor.



Dovetail  
TA-HA1-G

Rosette  
TA-HA2-G

Hand knob  
TA-HA3-G